

SH. 1  
OF 1

CAT NO

PT18718

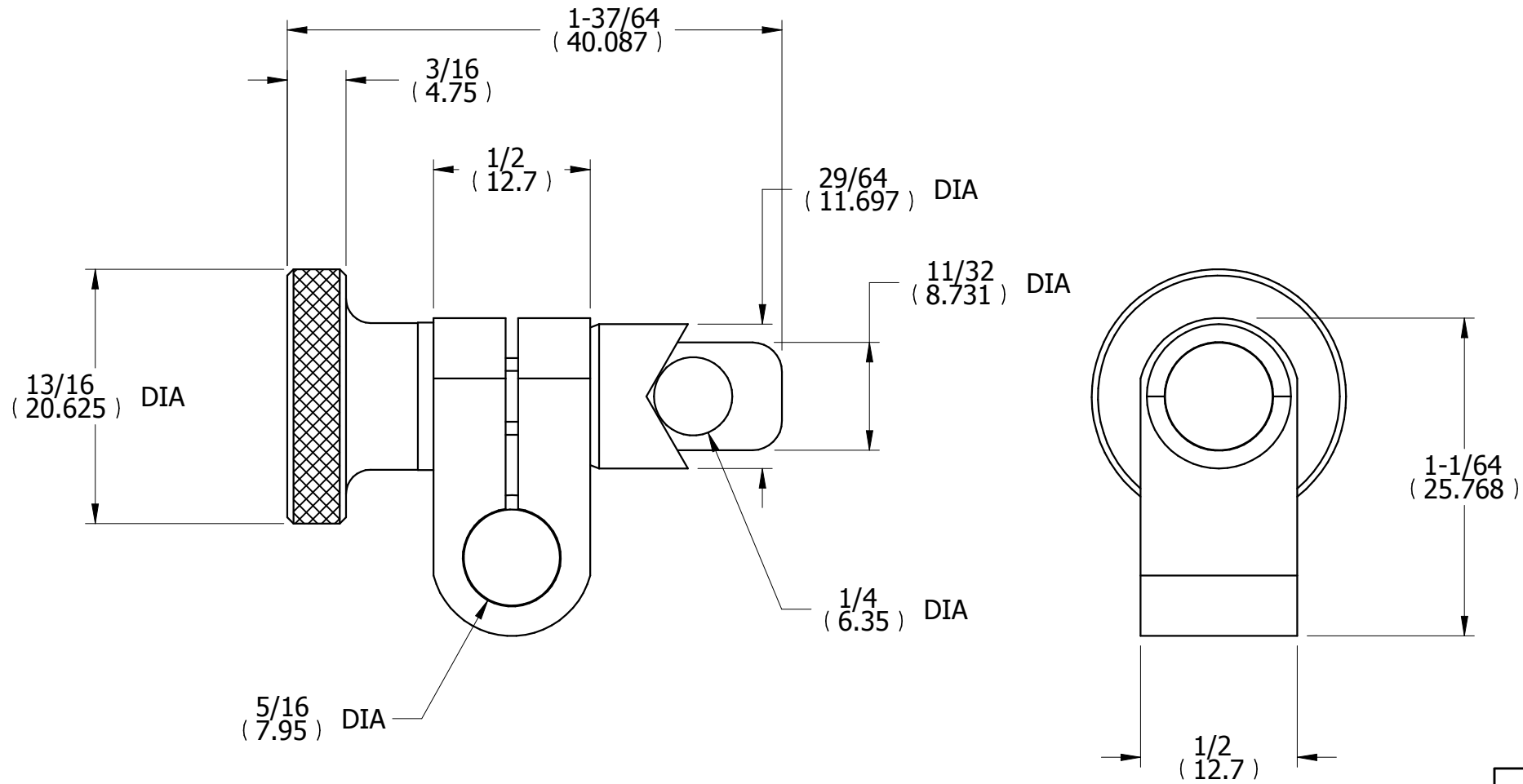
CUSTOMER DIMENSIONS

DO NOT  
SEPARATE  
PRINT FROM  
WORK

LOT NO

OPER

TOOLS




REV	DESCRIPTION	DATE	BY
-----	-------------	------	----

DR	DCA	CHK	DATE
----	-----	-----	------

UNIVERSAL SURFACE  
GAGE SCRIBER SNUG

FRACTIONAL TOLERANCE  $\pm 1/64$  UNLESS OTHERWISE NOTED

THE L.S. STARRETT CO.  
ATHOL, MASS.