

# STB000 TECHNICAL DATA

## Features and parameters

ELECTRICAL	
Voltage / frequency	100 - 240 V AC, 50 / 60 Hz
Inrush control	Staged heating at 10 seconds
Conducted / radiated emissions	EN 55011
Immunity tests	EN 61000-4-2 EN 61000-4-3 EN 61000-4-4 EN 61000-4-5 EN 61000-4-6 EN 61000-4-8 EN 61000-4-11
Harmonics and flicker tests	EN 61000-3-2 EN 61000-3-3
Dielectric isolation	1500 V AC for 60 seconds to ground
Power consumption	Steady state, non-regeneration: < 10 Watts. Steady state regeneration heater current: < 3 Amp Regeneration heater inrush current: < 12 Amp

FUNCTIONS	
Regeneration frequency setting	10, 40, 70, 100 days
Humidity range	RH 2% to 100%
Status indication	LED - Green, Blinking Green or Red depending on breather status
Regeneration frequency control	2 position DIP switch

## FUNCTIONS

Relative humidity trigger level	User configurable: 25% RH default value
Regeneration cycle	3 hours full power, 2 hour cool-down, 1 hour rest (standard)
Regeneration status monitoring	5 A(NO), 3 A(NC) at 30 V DC resistive 5 A(NO), 3 A(NC) at 125/250 V AC resistive
Failure mode detection	RH sensor, heater, solenoid
Analog output signal	4 - 20 mA @ maximum 500 ohms for RH
Communications	MODBUS (remote) and USB (local)

## FUNCTIONS - DATALOGGING

Parameters recorded	Timestamp, Humidity, Temperature, Error State, Relay Status (Error and Regeneration Relays)
Sampling rate	15 minutes
Memory size	32 MB (20 years of data)

## MECHANICAL - MATERIALS

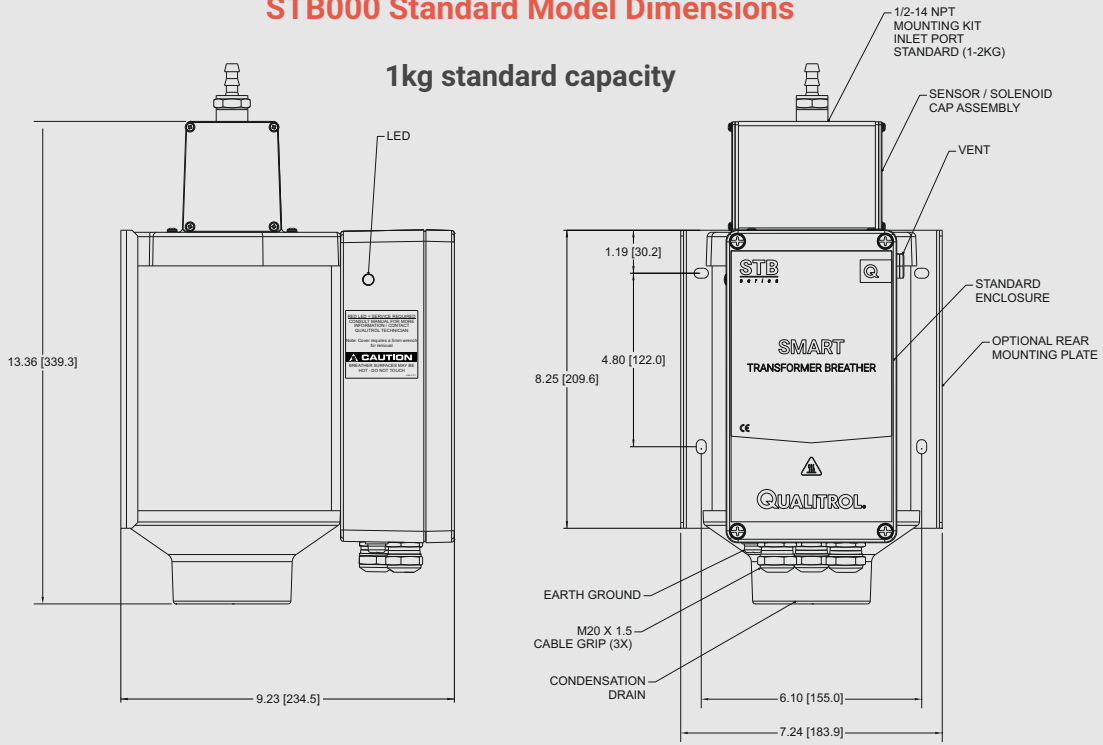
Housing and frame	Die-cast aluminum (standard). Stainless steel (optional)
Coating	C5M high durability paint (standard)
Tube	UV-Stabilized polycarbonate or glass
Desiccant	Colorless, non-poisonous silica gel

## OPERATING CONDITIONS

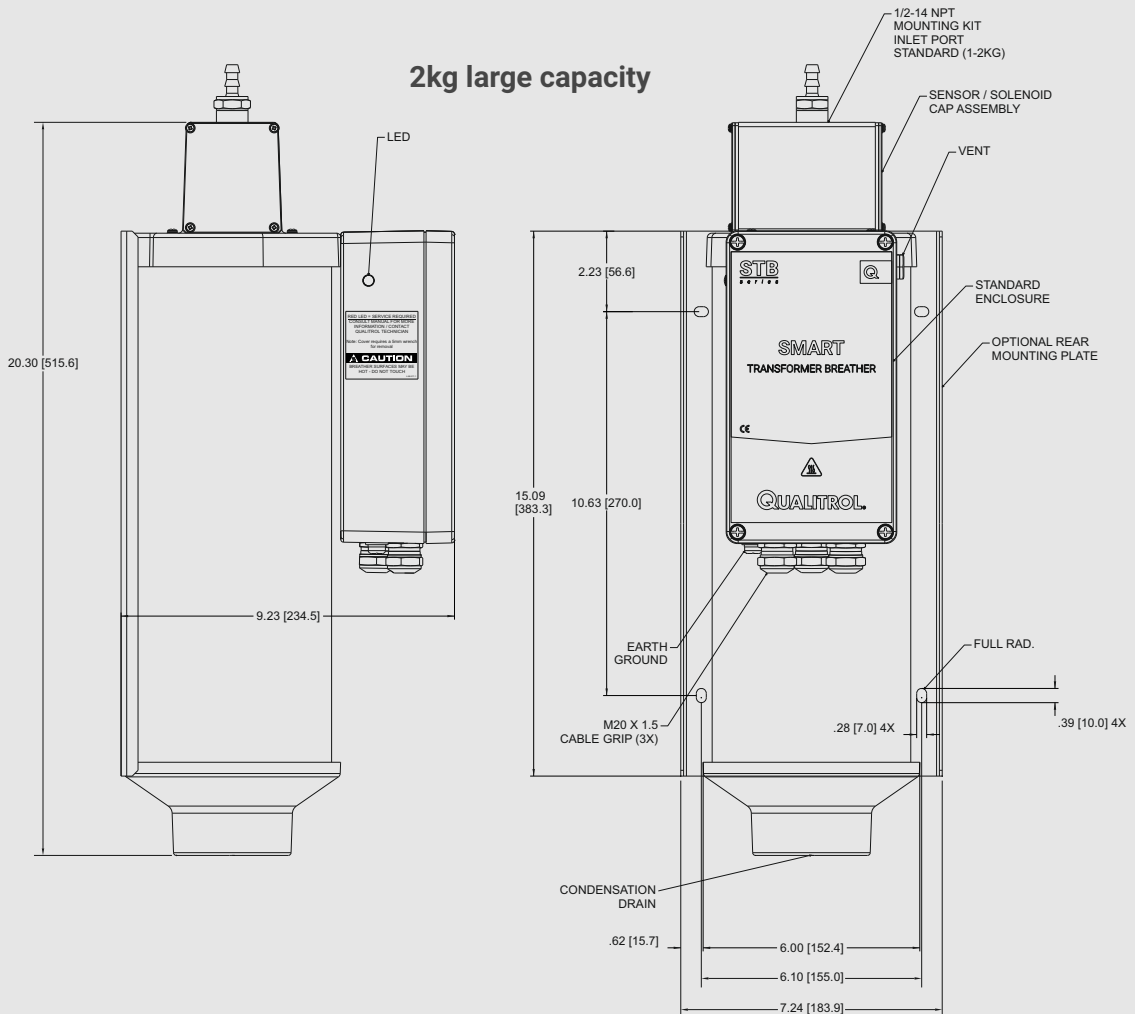
Temperature relative	-40°C to 70°C or -60°C to 70°C (depending on model)
Control box humidity	95% non-condensing at 80°C IP65
Protection vibration	50 / 60 Hz @ .004" displacement

## STB000 Standard Model Dimensions

### 1kg standard capacity



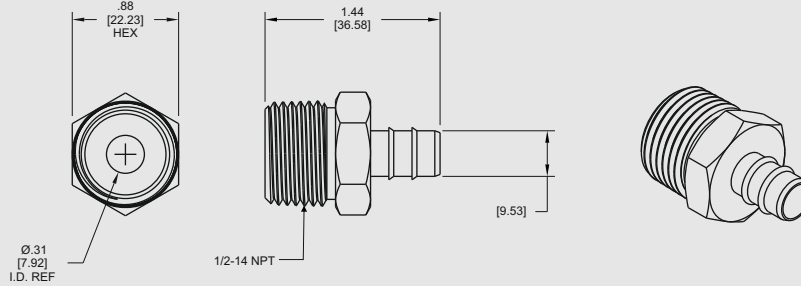
### 2kg large capacity



## STB000 Mounting Options

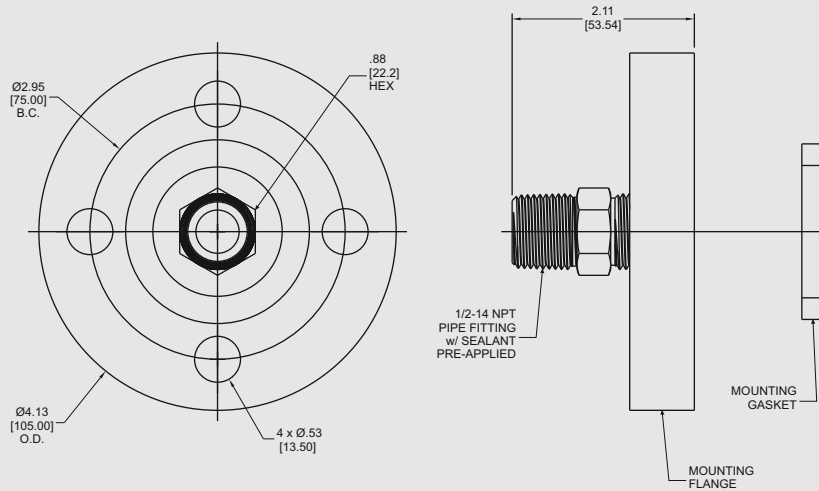
### Hose barb fitting

3/8 inch I.D. hose barb with 1/2 inch NPT threads. Supplied with 6.5 foot (2 meter) black rubber hose



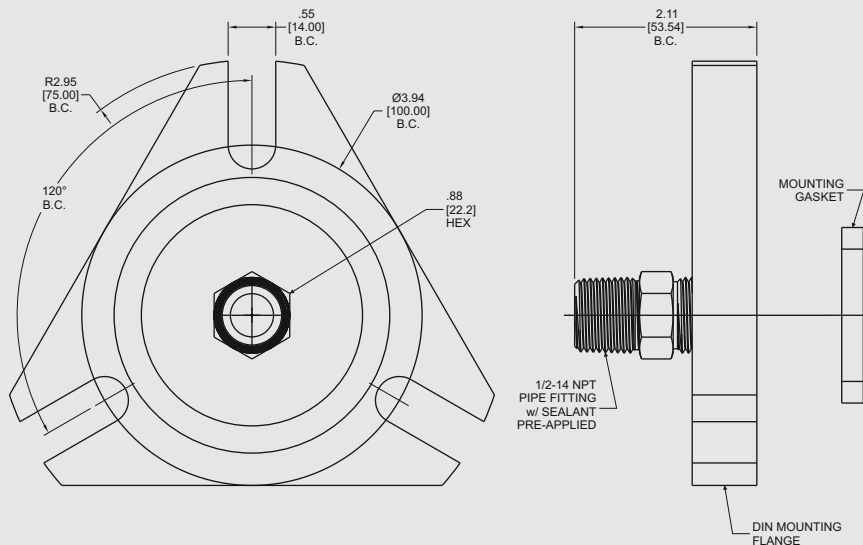
### Circular flange

Circular flange provided with mounting gasket and bolts



### Triangular flange

Triangular flange provided with mounting gasket and bolts



### Special mounting configurations

Other special mounting configurations can be ordered per request