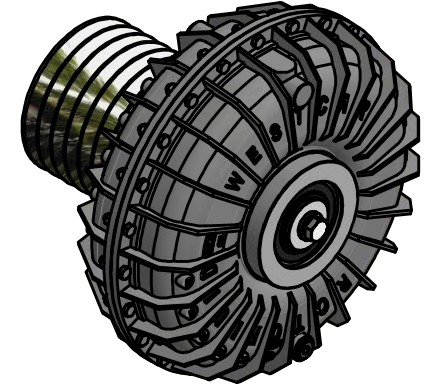
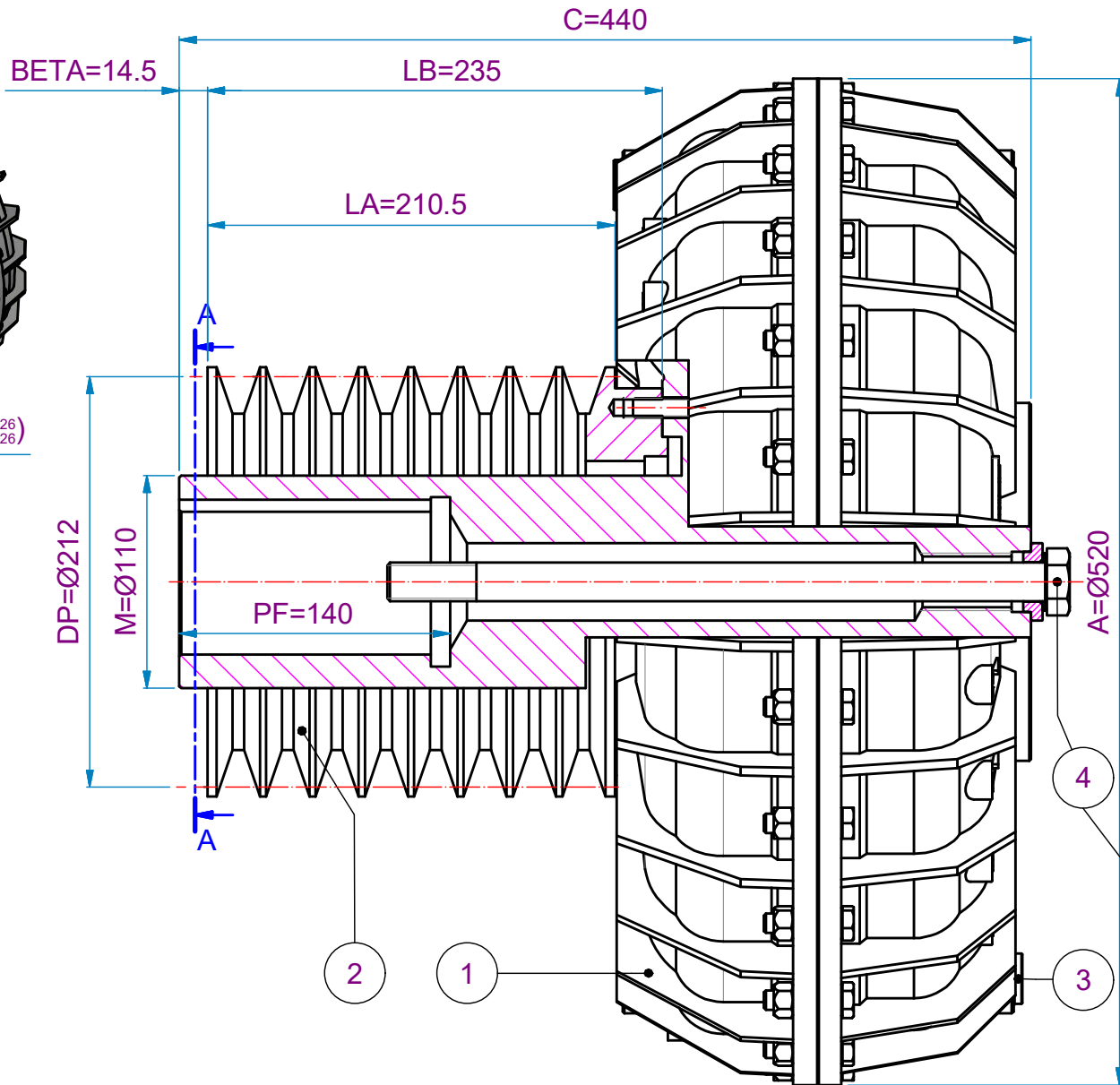
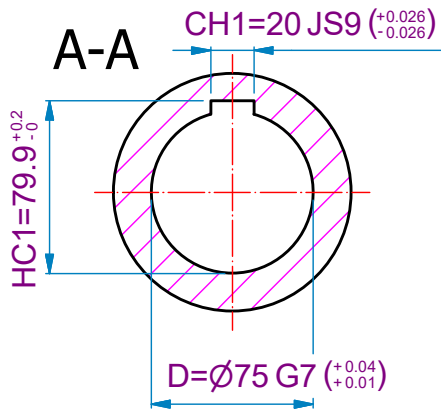
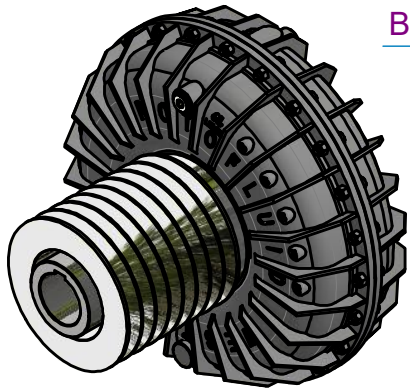


MOTOR SIDE



Tightening Torque 410 Nm.

ROTOFLUID COUPLING BETA 65 X N220 D=75 WITH PULLEY 6XNI SPC-8
DP=212 LB=235

Weight / Peso Kg

112

Quotation / Costo

4	1	--	Tightening Screw M20x340 - M30
3	1	1333	Fusible Plug 1/2" Gas 145° Red
2	1	--	Pulley 6XNI SPC 8 Grooves Øp. 212 LB=235
1	1	--	Rotofluid Coupling Beta 65 X N220 D=75



Designer / Disegnatore

E. Bonomi

Customer / Cliente

--

Date / Data

18/01/2019

Sheet / Foglio

20-6353

Variant / Rev

00

Scale / Scala

Internal Ref. / Rif. Int.

Pos.	Q.ty	Code	Description
------	------	------	-------------