

REMCO PRODUCTS LIMITED

Replacement Electric Motors



tel: +44 (0)1243 869905
fax: +44 (0)1243 810799

e-mail: sales@remco.co.uk
web: www.remco.co.uk

COMPANY PROFILE

Remco Products Ltd. is well established as the premier supplier of replacement fractional horsepower electric motors to the service sectors of the heating, ventilation, refrigeration & air conditioning industries.



Our factory warehouse located at Chichester, West Sussex, England stocks upwards of 20,000 motors with hundreds of different models covering the output range of 1 watt to 1400 watts. We also stock a wide range of centrifugal fan impellers and axial fan blades which can be used with our stock motors in many O.E.M. applications.


Well equipped test and workshop facilities allow customer choice to be taken even further in the customisation of stock models to fit old, obsolete or imported O.E.M. units. All modification work carried out under a quality control system approved to ISO9002.



Massive relational database cross references thousands of O.E.M. motor models to our stock motors. Just quote us the original motor nameplate data and we can offer you a matched replacement - *overnight if required!*



Tel: +44 (0)1243 869905 **Fax:** +44 (0)1243 810799 **E-mail:** sales@remco.co.uk **Web:** www.remco.co.uk



OUR STOCK RANGE



	FRAME	TYPE	SPEED	WATTS (output)	PAGE No.
	50mm (2.0" Ø)	SHADED POLE	2 POLE	1	13
20 RANGE					
	61mm (2.4" Ø)	SHADED POLE SKELETAL	2 POLE	1-19	14 - 16
24 RANGE					
	84mm (3.3" Ø)	SHADED POLE PERMANENT SPLIT CAPACITOR	2 POLE 4 POLE	3-40	17 - 22
33 RANGE					
	89mm (3.5" Ø)	PERMANENT SPLIT CAPACITOR THREE PHASE	2 POLE 4 POLE 6 POLE	8-150	23 - 31
35 RANGE					

Tel: +44 (0)1243 869905 Fax: +44 (0)1243 810799 E-mail: sales@remco.co.uk Web: www.remco.co.uk

OUR STOCK RANGE

	FRAME	TYPE	SPEED	WATTS (output)	PAGE No.
					
41 RANGE	104mm (4.1" Ø)	SHADED POLE SKELETAL	4 POLE 6 POLE	8 - 80	32 - 37

					
48 RANGE	122mm 4.8" Ø)	P.S.C. SPLIT PHASE CAP START IND RUN SHADED POLE 3 PHASE	4 & 6 POLE 4 POLE 4 POLE 4 POLE 4, 6 & 8 POLE	13-550	38 - 54

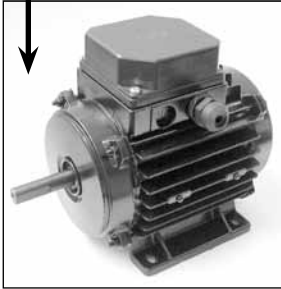
					
60 RANGE	153mm 6.0" Ø)	P.S.C. SPLIT PHASE CAP START IND RUN CAP START CAP RUN THREE PHASE	2,4,6 & 8 POLE 2, 4 & 6 POLE 2,4 & 6 POLE 2 & 4 POLE 2,4,6 & 8 POLE	90-1400	55 - 62

Tel: +44 (0)1243 869905 Fax: +44 (0)1243 810799 E-mail: sales@remco.co.uk Web: www.remco.co.uk

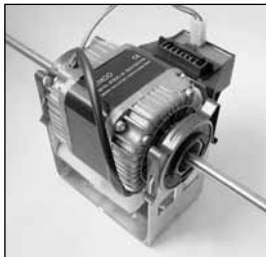
OUR STOCK RANGE

FRAME	TYPE	SPEED	WATTS (output)	PAGE No.
-------	------	-------	-------------------	-------------

63 & 71 RANGE	METRIC 63	P.S.C.	4 POLE	200	63
	METRIC 63	3 PHASE	4 POLE	200	
	METRIC 71	3 PHASE	4 POLE	370	



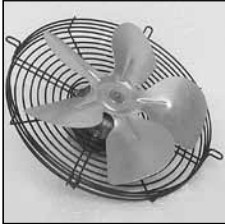

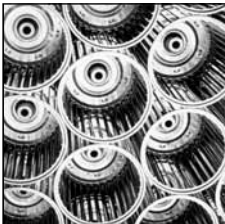
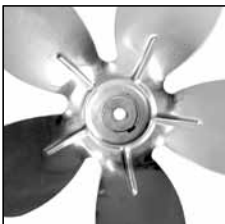

OIL BURNER MOTORS	35, 48 & 60R	P.S.C.	2 POLE	70 - 750	64 - 66
		C.S.I.R.	2 & 4 POLE		
		SPLIT PHASE	2 & 4 POLE		



EM RANGE	84mm SQUARE FRAME	SHADED POLE P.S.C.	2 & 4 POLE 4 POLE	5 - 50	69 - 71
----------	-------------------------	-----------------------	----------------------	--------	---------

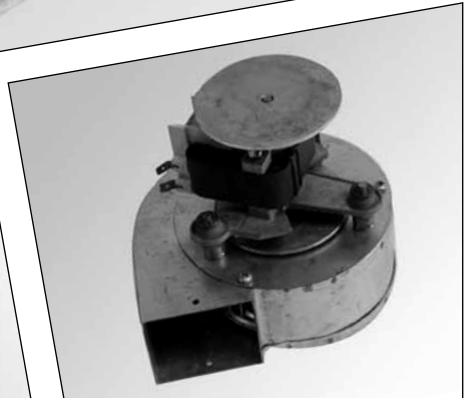
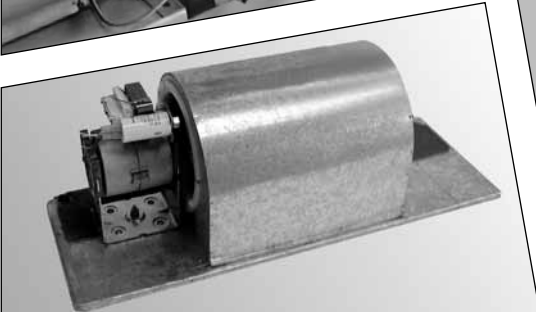
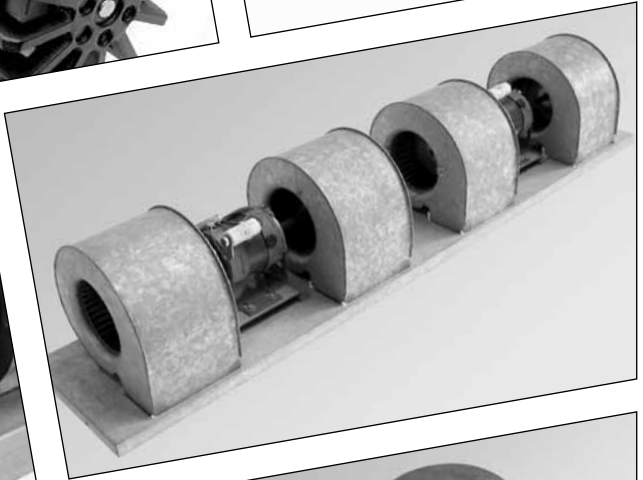
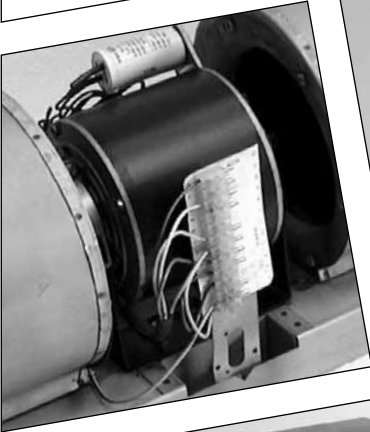
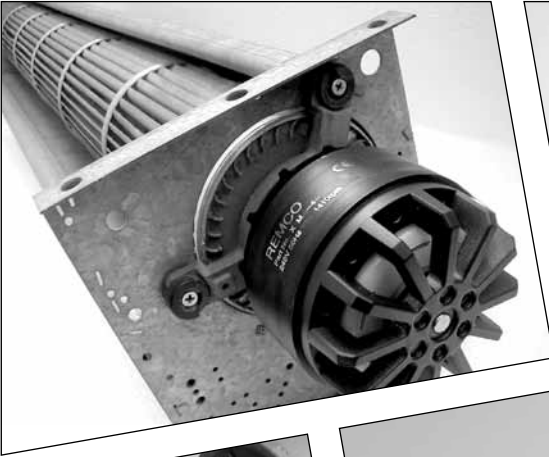
Tel: +44 (0)1243 869905 Fax: +44 (0)1243 810799 E-mail: sales@remco.co.uk Web: www.remco.co.uk

OUR STOCK RANGE

	<p>MOTOR FAN ASSEMBLIES</p>	<p>TYPE</p> <p>SHADED POLE RING MOUNT SHADED POLE GUARD MOUNT P.S.C. EXTERNAL ROTOR MOTOR GUARD MOUNT</p>	<p>FAN Ø</p> <p>154-300mm 230-254mm 300-400mm</p>	<p>PAGE</p> <p>72 - 76</p>
	<p>COMPACT AXIAL FAN UNITS</p>	<p>TYPE</p> <p>240VAC SQUARE AND FISHEYE MODELS 24VDC SQUARE MODELS WITH ALARM OUTPUT</p>	<p>PAGE</p> <p>67 - 68</p>	
	<p>CENTRIFUGAL FAN WHEELS</p>	<p>TYPE</p> <p>SINGLE AND DOUBLE INLET MODELS FROM Ø76-238mm & 25-300mm LONG</p>	<p>PAGE</p> <p>77 - 78</p>	
	<p>AXIAL FAN BLADES</p>	<p>TYPE</p> <p>HUBLESS FANS, 5BLADE Ø154-300mm HUBBED FANS 3, 4 & 5BLADE Ø96-560mm</p>	<p>PAGE</p> <p>79 - 81</p>	
	<p>PARTS & ACCESSORIES</p> <p>ANTI-VIBRATION MOUNTS, MOUNTING ARMS & BRACKETS. SPEED CONTROLLERS, RUN & START CAPACITORS,</p>	<p>PAGE</p> <p>82 - 90</p>		

Tel: +44 (0)1243 869905 Fax: +44 (0)1243 810799 E-mail: sales@remco.co.uk Web: www.remco.co.uk

REFURBISHMENT SERVICE



Remco offer a complete refurbishment service on fan coil & centrifugal fan units of the types shown in the photographs above.

Contact us for further information & prices.

Tel: +44 (0)1243 869905 **Fax:** +44 (0)1243 810799 **E-mail:** sales@remco.co.uk **Web:** www.remco.co.uk

CONTENTS

Refurbishment Service	7
Model identification	12
20 range motors, shaded pole, Ø50mm Fridge display case	13
24 range motors, skeletal shaded pole 64mm square Combi boiler flue fans Toilet extract fans Fan coil units	14 - 16
33 range motors, Ø85mm Fridge display cases Condensing units Evaporator fan motors Air conditioners Fan heaters Liquid stirrers Flue boost fans	17 - 24
35 range motors, Ø94 or Ø105mm Warm air heating Evaporator fan motors Single and double shaft motors for fan coil units Cabinet heaters	25 - 31
41 range motors, Ø108mm Warm air heating Fan coil units Cabinet heaters Centrifugal blowers	32 - 37
48 range motors, Ø126mm Centrifugal blower motors Condenser fan motors Evaporator fan motors Single & double shaft motors for fan coil units Roof ventilators Mechanical duty motors	38 - 54

60 range motors, Ø158mm	55 - 62
Direct drive fan blowers - Axial	
Centrifugal fan blowers	
Belt drive warm air fans	
Evaporator fan motors	
Mechanical duty motors	
63 range motors	63
Metric 63 frame	
Evaporator fan drives	
71 range motors	63
Metric 71 range	
Evaporator fan drives	
Oil and gas burner motors	64 - 66
70 to 750 watts 2 & 4 pole with and without oil pump hub	
Compact Axial AC fan units	67 - 68
Fridge display cases	
Electronic cooling	
General ventilation	
Multifit refrigeration motors, EM range	69
(Italian style 84mm square frame)	
Versatile range with 5 mounting options	
5 watts to 34 watts output	
EM range 84mm square frame shaded pole fan motors	70 - 71
Evaporator fan motors	
Warm air heating	
Fan coil units	
Ring mounted motor and fan assemblies	72
Shaded pole fan Ø154 - 300mm	
Guard mounted motor and fan assemblies	73 - 74
Shaded pole fan Ø230 - 254mm	

CONTENTS

External rotor motor / axial fan / guard assemblies	75
Single phase PSC Ø300, 350 & 400mm fans	
External rotor motors for crossflow / tangential fan assemblies	76
Single phase 4 pole P.S.C.	
Single inlet aluminium centrifugal fan wheels	77
Wide range Ø76 - 238mm	
25 - 150mm width	
Double inlet aluminium centrifugal fan wheels	78
Wide range Ø76 - 238mm	
100 - 300mm width	
Axial fan blades	79 - 81
Hubless type 5 blade Ø154 - 300mm	
Hubbed type 3, 4 & 5 blade Ø96 - 560mm	
Parts and accessories	82 - 90
Allen Keys - long reach	
Anti vibration mountings	
Auto transformers - Motor speed control	
Capacitor mounting clips	
Electronic motor speed controllers	
Foot mount brackets	
Heat sink fans	
Mounting arms	
Mounting brackets	
Mounting grommetts	
Motor cooling fans	
Radial mounting (belly) band	
Rain shields	
Resilient mounting bases	
Resilient mounting latches	
Resilient mounting rings	
Resistors - Motor speed control	
Shaft extension assemblies	
Shaft sleeves	

CONTENTS

Popular motor & fan combinations	91 - 93
Motor and fan modifications	94
Operation & installation	95
Capacitors - Motor run	96 - 97
Capacitors - Motor start	96 - 97
Discount structure	98
Delivery Options	99
Parcel Tracking	100
Contact Us Remco people	101
New for 2003	102
Notes	103
Terms & Conditions	104 - 105
Pricing Information	106
Website / CD Rom	107

MODEL IDENTIFICATION

Our descriptive stock numbering system simplifies motor selection:

e.g. Remco Model - **48-4-180/6DS**

48 - Motor body diameter, frame size; e.g. 2.0", 2.4", 3.3", 3.5", 4.1", 4.8" & 6.0".

4 - Number of poles, approx. speed, e.g. 2 ~ 2750 rpm, 4 ~ 1250 rpm, 6 ~ 875 rpm

180 - Output in watts

/6 - Number of speeds

DS - Double Shaft extension

Letter codes relate to the following features:

A = Anti-clockwise Shaft Rotation

B = Ball Bearing

BKT = Special Mounting Bracket

C = Clockwise Shaft Rotation

COB = Compact Oil Burner

CR = Capacitor Run

CS = Capacitor Start

DE = Drive end (shaft end)

DS = Double Shaft Extension

DV = Dual Voltage Operation

F = Fan Hub Adaptor

FV = Fan Ventilated

HV = Higher Voltage Operation

LS = Long Shaft Extension

LV = Low Voltage Operation

MR = Mechanically Rated

NDE = Non drive end

OB = Oil Burner

/P = Oil Burner pump hub

R = Electrically Reversible

R . = Radial Mounting

RB = Resilient Mounting Base

RM = Ring Mount

TE = Totally Enclosed

TEFC = Totally Enclosed Fan Cooled

V = Ventilation Holes

X = Special Mounting

1 = Alternative Spec. i.e. Shaft Dia

***** = Alternative Spec. i.e. Mounting

3 or 4 SD = 3 or 4 x M4 or M5 studs

3,4 or 8 TH = 3,4 or 8 x M4 or M5 tapped holes

3P = Three phase (220-440V)

Assistance in the selection of a motor to suit your requirements is readily available, remember our computerised cross reference system relates thousands of motor model numbers to our stock numbers.

Tel: +44 (0)1243 869905 **Fax:** +44 (0)1243 810799 **E-mail:** sales@remco.co.uk **Web:** www.remco.co.uk

20 RANGE MOTORS

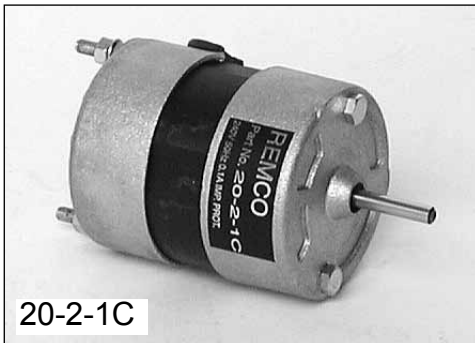


Full specifications and outline drawings can be found in our new catalogue on cd-rom available soon, or visit our website

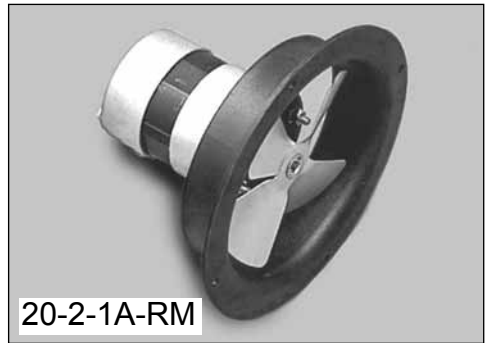
The Remco 20 Range motor is a 50mm diameter, 2 pole shaded pole motor used for light duty fan applications. The two models shown on this page are both used in supermarket refrigerated display cases.

20 Range motors feature pressure die cast endshield assemblies fitted with lubricated for life self aligning sleeve bearings. Motors are supplied with flying leads and the motor construction is totally enclosed.

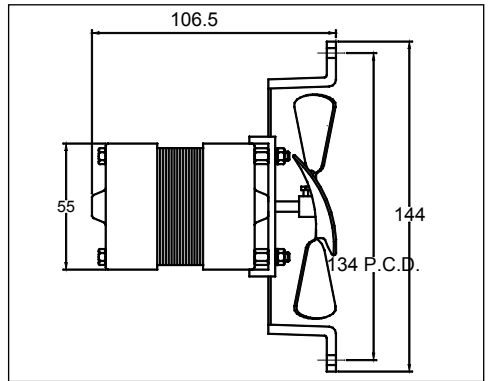
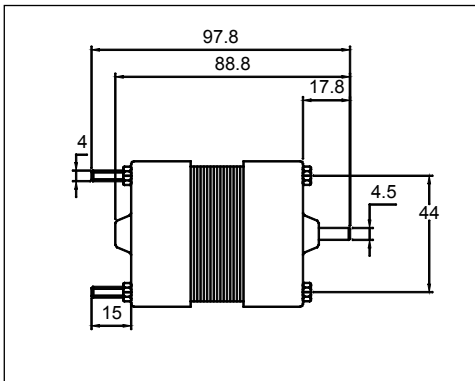
Single speed, shaded pole



20-2-1C



20-2-1A-RM

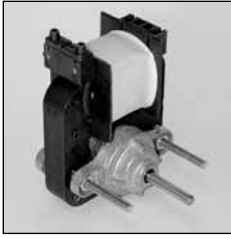


Double shafted models

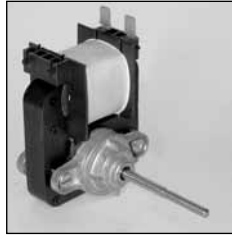
Model No	Volts	Freq. (Hz)	Current Amps	Watts Output	Speed	Rotation	Protection
20-2-1C	220/240	50	0.1	1	2500	CWSE	IMPEDANCE
20-2-1A-RM	220/240	50	0.1	1	2500	ACWSE	IMPEDANCE

Tel: +44 (0)1243 869905 Fax: +44 (0)1243 810799 E-mail: sales@remco.co.uk Web: www.remco.co.uk

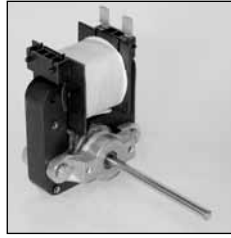
24 RANGE MOTORS



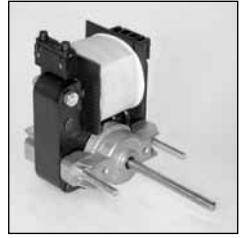
24-2-3C
24-2-3C1



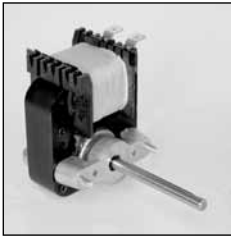
24-2-1AP
24-2-3CO



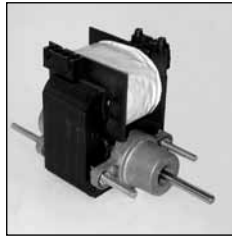
24-2-3CB



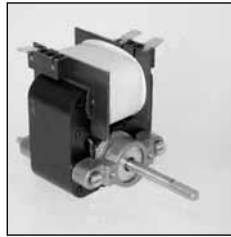
24-2-2A, 24-2-4AS,
24-2-4C, 24-2-5A,
24-2-5AG, 24-2-5AV,
24-2-5AT
24-2-5/2A, 24-2-10AV



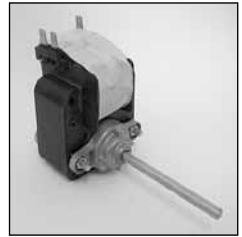
24-2-7CB
24-2-9CG



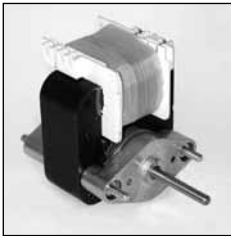
24-2-6C



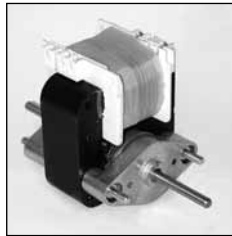
24-2-8/2C



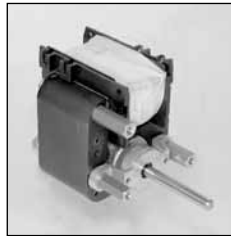
24-2-9C



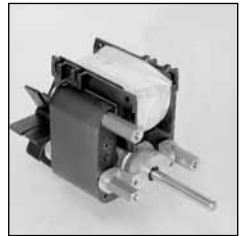
24-2-6AP
24-2-10A
24-2-12C
24-2-12CLV



24-2-5DS
24-2-10DS
24-2-12DS



24-2-13C
24-2-13/2C



24-2-14CES
24-2-15CSB
24-2-18AV

Please refer to individual motor specifications for detailed dimensions.
The above illustrations show general appearance of motors only.

24 RANGE MOTORS

Skeletal Shaded Pole



Full specifications and outline drawings can be found in our new catalogue on cd-rom available soon, or visit our website

The simplest of all motor types, they consist of two basic electrical assemblies: a single bobbin wound stator and a die cast rotor assembly. The start winding of the motor is provided by two coils of thick copper wire looped around each pole face. These shading coils remain in circuit whilst the motor is running and oppose the main winding flux, resulting in lower motor efficiency.

Starting torque of this type of motor is influenced by the diameter of the shading coil. Higher start torque usually means lower running performance, and final design is usually a compromise between these two parameters.

The performance characteristics of skeleton motors dictate that they are generally used for air movement or liquid stirring duties. Their simple compact construction, quiet operation and low cost make them ideally suited for these applications.

Abbreviations used in the following table of specifications.

Rot = Rotation looking on shaft end.

L = Flying leads

T = 6.3mm AMP terminals

SD = M4 Studs 47.6mm CRS.

SO = M4 Stand offs 47.6 CRS.

TH = M4 Tapped holes 47.6 CRS.

DE = Drive (i.e. shaft) end

NDE = Non drive end

S = Sleeve bearing

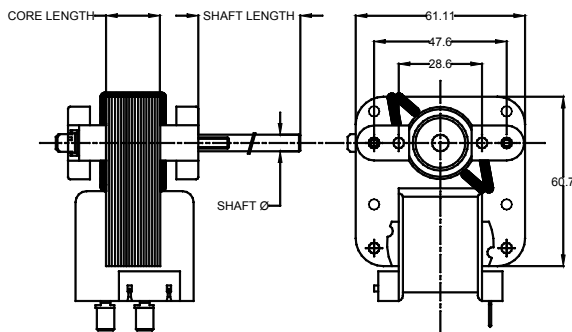
B = Ball bearing

CL.B = Class B insulation (130 C)

CL.F = Class F insulation (150 C)

CL.H = Class H insulation (180 C)

Mtg = Mounting



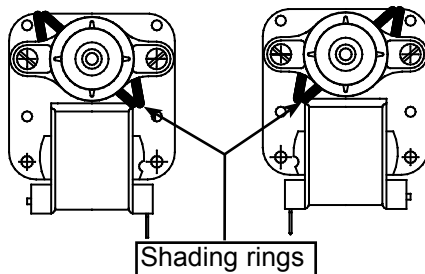
The rotation of a Skeletal Motor can be determined by the position of the shading rings.

Shading ring positions at 1 o'clock and 7 o'clock indicate anti-clockwise rotation.

Shading ring positions at 5 o'clock and 11 o'clock indicate clockwise rotation.

Motors viewed from shaft end.

CLOCKWISE ANTI-CLOCKWISE

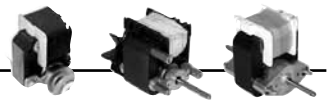


Single shaft, twin speed models.

Model No	Core length	Shaft Length	Shaft Ø	Watts Out / In	Leads/Terms	Rotation (D.E.)	Mount	Bearing
24-2-5/2A	25.4	104.0	6.00	5-0.75/35-14	L	ACW	SD	S
24-2-8/2C	31.75	42.4	6.00	8-0.7/45-18	T	CW	TH	B
24-2-13/2C	38.1	62.2	6.00	13-8.5/65-37	L	CW	SO	S

Tel: +44 (0)1243 869905 Fax: +44 (0)1243 810799 E-mail: sales@remco.co.uk Web: www.remco.co.uk

24 RANGE MOTORS



Skeletal Shaded Pole

Double shafted models

Model No	Core length	Shaft Length	Shaft Ø	Watts Out / In	Leads/ Terms	Rotation (D.E.)	Mount	Bearing
24-2-5DS	19.05	30.8	4.76	5 / 31	L	DUAL	SD	S
24-2-10DS	26.0	34.5	4.76	10 / 64	L	DUAL	SD	S
24-2-12DS	31.5	40.0	6.0	12 / 63	L	DUAL	SD	S

Low voltage model (115V, 50Hz)

Model No	Core length	Shaft Length	Shaft Ø	Watts Out / In	Leads/ Terms	Rotation (D.E.)	Mount	Bearing
24-2-12CLV	32	72	6.0	12 / 63	L	CW	SD	S

Single shaft models

Model No.	Core length	Shaft Length	Shaft Ø	Watts Out / In	Leads/ Terms	Rotation (D.E.)	Mount	Bearing
24-2-1AP	20.7	48.75	4.76	1 / 10	T	ACW	N.A.	S
24-2-2A	12.7	29.0	4.76	2 / 21	L	ACW	SD	S
24-2-3C	12.7	24.4	4.76	3 / 23	L	CW	SD	S
24-2-3CB	12.7	63.75	4.76	3 / 26	T	CW	TH	S
24-2-3C1	31.5	66.0	4.76	3 / 33	T	CW	SD	S
24-2-3CO	12.7	48.75	4.00	3 / 26	T	CW	N.A.	S
24-2-4AS	19.05	53.0	4.76	4 / 42	L	ACW	SD	S
24-2-4C	19.05	29.0	4.76	4 / 28	L	CW	SD	S
24-2-5A	19.5	76.0	4.76	5 / 24.5	L	ACW	SD	S
24-2-5AG	19.05	50.0	4.76	5 / 30	L	ACW	SD	S
24-2-5AF *	20.0	13	FHUB	5 / 35	L	CW	SD	S
24-2-5AV	19.05	36.5	4.76	5 / 33	L	ACW	SD	S
24-2-5AT	25.4	104.0	6.00	5 / 35	L	ACW	SD	S
24-2-6AP	19.0	43.3	4.76	6 / 37	L	ACW	SD	S
24-2-6C	31.75	30.05	4.76	6 / 33	L	CW	SD	S
24-2-7CB	19.5	58.0	6.00	7 / 40	T	CW	SD	B
24-2-9C	29.8	61.0	6.00	9 / 50	T	CW	SD	S
24-2-9CG	25.4	52.0	6.00	9 / 45	T	CW	SD	B
24-2-10A	26.0	78.0	4.76	10 / 64	L	ACW	SD	S
24-2-10AV	31.5	49.65	6.00	10 / 50	T	ACW	SD	S
24-2-12C	31.5	78.0	6.00	12 / 63	L	CW	SD	S
24-2-13C	38.1	62.2	6.00	13 / 65	L	CW	SO	S

* Supplied with hubless fan drive plate on shaft

Single shafted fan cooled models

Model No.	Core length	Shaft Length	Shaft Ø	Watts Out / In	Leads/ Terms	Rotation (D.E.)	Mount	Bearing
24-2-14CES	38.0	50.0	6.00	14 / 51.25	L	CW	SD	B
24-2-15CSB	38.0	43.5	6.00	15 / 70	L	CW	SO	B
24-2-18AV	38.1	41.5	6.00	18 / 70	T	ACW	SD	S

Note. All models 240V 50Hz unless stated otherwise. All models available in both rotations. All models available with rear cooling fan.

Tel: +44 (0)1243 869905 Fax: +44 (0)1243 810799 E-mail: sales@remco.co.uk Web: www.remco.co.uk

33 RANGE MOTORS



Plain shafted, totally enclosed, rear mounted motor.
Models 33-2-7A1 & the 33-4-15A1 are just two models mounted this way.



Hubless fan, totally enclosed, rear mounted motor.
Most of the hubless fan range are mounted in this way.



Hubless fan, totally enclosed, drive end mounting motor.
This type of mounting can be supplied with 3 or 4 studs.



Plain shafted, ventilated, drive end mounted motor.
In most cases extended casebolts are used for 2 point fixings.



Plain shafted, totally enclosed, drive end & rear mounted motor.
Models such as the 33-4-18A have studs at the drive end and tapped holes at the rear.



Hubless fan, totally enclosed, bracket mounted motor.
The BKT18 mounting motors have a welded bracket with 18mm stud centres.



Plain shafted, ventilated, fan cooled, drive end mounted motor.
The 33-2-24AFV has an internal cooling fan. both rotations are available.



Double shafted, ventilated, casebolt mounted motor.
Available in 115/240V, 24 or 35 Watts. 2 pole.



Plain shafted, totally enclosed, fan cooled, drive end mounted motor.
Stainless steel shaft & internal cooling fan. Used for liquid stirring or flue boost applications.



Hubless fan, totally enclosed, P.S.C. rear mounted motor.
These P.S.C. models are electrically reversible with the capacitor supplied loose.



Plain shafted, ventilated, fan cooled, flange mount motor.
Available in 115/240V, with a 3 point flange mount & internal cooling fan.



Plain shafted, ventilated, rear mounted motor.
Many of the plain shafted range are mounted in this way.

Please refer to individual motor specifications for detailed dimensions, the illustrations above show general appearance of the motors only.

Tel: +44 (0)1243 869905 Fax: +44 (0)1243 810799 E-mail: sales@remco.co.uk Web: www.remco.co.uk

33 RANGE MOTORS

SHADED POLE & P.S.C.

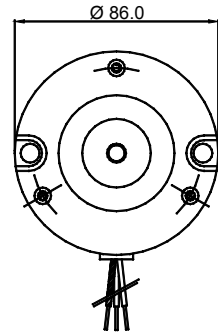
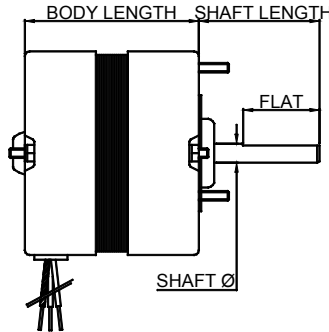
Remco 33 Range motors are produced in 2 and 4 pole versions with power outputs from 3 to 40 watts. They are available in a variety of mounting and shaft arrangements with, in most cases, flying leads which can be cut to the required length.

This range is particularly suited to air movement applications, and most of the range are designed as shaded pole models with some P.S.C. (Permanent Split Capacitor) motors. All are for use with single phase supplies.

33 Range motors are available in both ventilated and totally enclosed frames and with either single or double shaft extensions. Bearings are either lubricated-for-life sleeve or sealed ball bearings.



Full specifications and outline drawings can be found in our new catalogue on cd-rom available soon, or visit our website



Plain shafted fan motors.

Model No.	Watts Out	Run Speed	Shaft Ø	Shaft Length	Body Length	Fixings	Rotation (D.E.)
33-2-7A1	7	2750	6.35	32	53.3	2 STUDS NDE	ACW
33-2-7CM	7	2750	6.35	41	66	4 STUDS DE	CW
33-2-18AV	18	2750	7.93	54	72.2	2 STUDS DE	ACW
33-2-24AFV #	24	2750	7.93	51	105	2 STUDS DE	ACW
33-2-35A *	35	2750	7.93	47	82	3 STUD NDE	ACW
33-4-3A	3	1250	6.00	46.5	60	3 T/H DE	ACW
33-4-7C	7	1250	4.00	28.5	54	3 STUDS NDE	CW
33-4-10A	10	1250	6.35	52.5	67	3 STUDS NDE	ACW
33-4-10C4	10	1250	7.93	40	67	4 STUDS NDE	CW
33-4-12A	12	1250	6.35	52.5	67	3 STUDS NDE	ACW
33-4-12C*	12	1250	7.93	25.5	67	3 STUDS DE	CW
33-4-14A	14	1250	7.93	55	86	4 STUDS DE	ACW
33-4-15A1	15	1250	7.93	35	73.5	2 STUDS NDE	ACW
33-4-18A	18	1250	7.93	51	73.5	3 SD.DE+3 T/H NDE	ACW
33-4-18A1	18	1250	7.93	35	73.5	2 STUDS NDE	ACW
33-4-18AH	18	1250	7.93	51	73.5	3 SD.DE+3 T/H NDE	ACW
33-4-18AX	18	1250	7.93	51	73.5	4 STUDS NDE	ACW
33-4-18C	18	1250	7.93	51	73.5	3 SD.DE+3 T/H NDE	CW
33-4-25A	25	1250	7.93	51	80	3 T/H DE+NDE/4 SD NDE	ACW
33-4-25A3	25	1250	7.93	48	89	3 T/H DE+NDE	ACW
33-4-25AM6	25	1250	7.93/M6	46	80	3 STUDS DE	ACW
33-4-25ATE	25	1250	7.93	51	86	3 T/H DE+3 SD NDE	ACW
33-4-40C	40	1250	7.93	51	86	4 STUDS NDE	CW

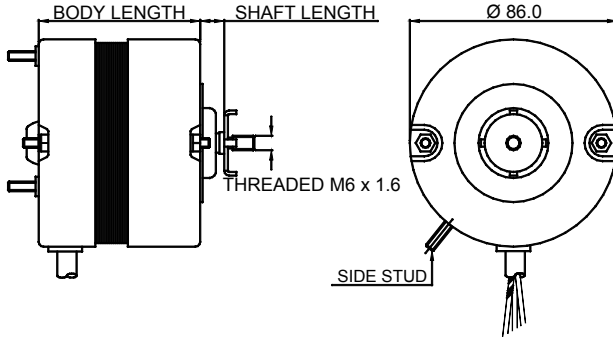
Internal cooling fan

* P.S.C. motor includes loose capacitor

All models listed above are available in either CW or ACW rotation.

Tel: +44 (0)1243 869905 Fax: +44 (0)1243 810799 E-mail: sales@remco.co.uk Web: www.remco.co.uk

33 RANGE MOTORS



Hubless fan models totally enclosed

Model No.	Watts Out	Run Speed	Body Length	Shaft Length	Fixings	Rotation (D.E.)
33-2-33RF *	33	2750	77	23	3 SD NDE	REV
33-4-3AF	3	1250	60	19	3 SD NDE	ACW
33-4-4AF	4	1250	54	12	2 SD NDE	ACW
33-4-5AF	5	1250	54	12.5	3 SD NDE	ACW
33-4-7AF	7	1250	54	12.5	3 SD NDE	ACW
33-4-7AFBKT18	7	1250	54	12.5	SIDE BKT 2 SD	ACW
33-4-7AFGBLL	7	1250	61	18	3 T/H NDE	ACW
33-4-7AFGS	7	1250	61	31	3 T/H NDE	ACW
33-4-7AFLS	7	1250	67	17	3 T/H NDE	ACW
33-4-7AFSR	7	1250	61	25	3 SD DE	ACW
33-4-7AFLV (110V)	7	1250	67	17	3 T/H NDE	ACW
33-4-7CFGB	7	1250	61	18	3 T/H NDE	CW
33-4-7CFGL	7	1250	54	12.5	3 T/H NDE	CW
33-4-9AF	9	1250	67	12.5	3 SD NDE	ACW
33-4-9CFGBLL	9	1250	61	18	3 T/H NDE	CW
33-4-10AFSS	10	1250	58	12.5	3 T/H NDE	ACW
33-4-12AF	12	1250	67	12.5	3 SD NDE	ACW
33-4-12AFLS	12	1250	67	20.5	3 SD NDE	ACW
33-4-13RF *	13	1250	77	20	2 SD DE	REV
33-4-15AF	15	1250	67	12.5	3 SD NDE	ACW
33-4-15AFLS	15	1250	79	30	4 SD DE	ACW
33-4-18AF	18	1250	73	12.5	3 SD DE	ACW
33-4-18AFL	18	1250	80	18	3 SD NDE	ACW
33-4-18CFL	18	1250	80	18	3 T/H NDE	CW
33-4-25AF	25	1250	86	28	3 SD NDE	ACW
33-4-25AFBKT229	25	1250	80	25	BKT MOUNT	ACW

* PSC motors supplied with capacitors - reversible rotation

All models listed above are available in either CW or ACW rotation.

Tel: +44 (0)1243 869905 Fax: +44 (0)1243 810799 E-mail: sales@remco.co.uk Web: www.remco.co.uk

33 RANGE MOTORS



Double shafted, ventilated body

Model No.	Watts Out	Run Speed	Body Length	Shaft Ø	Shaft Length	Fixings
33-2-7DS	7	2750	66	6.5	43 EACH	2 STUDS LE+NLE

Double shafted, dual voltage 115/240V

Model No.	Watts Out	Run Speed	Body Length	Shaft Ø	Shaft Length	Fixings
33-2-24DSDV	24	2750	73	7.93	89 EACH	2 STUDS LE+NLE
33-2-35DSDV	35	2750	84	7.93	83 EACH	2 STUDS LE+NLE
33-2-35DSDVL	35	2750	84	7.93	83 EACH	2 STUDS LE+NLE

Plain/Hubless dual speed, totally enclosed.

Model No.	Watts Out	Run Speed	Body Length	Shaft Ø	Shaft Length	Rotation	Fixings
33-4-5/2A	5	1250	60	7.93	60	ACW	3 SD DE/3 T/H NDE
33-4-5/2AF	5	1250	60	HUB	12.5	ACW	3 STUDS NDE
33-4-23/2C	23	1250	79.5	6.35	46	CW	3 STUDS DE

Plain/Hubless dual voltage 115/240V

Model No.	Watts Out	Run Speed	Body Length	Shaft Ø	Shaft Length	Rotation	Enclosure	Fixings
33-4-18CDV	18	1250	73	7.93	54	CW	TE	3 STUDS NDE
33-4-18CFDV	18	1250	73	HUB	12.5	CW	TE	3 STUDS NDE
33-2-24ADV	24	2750	73	7.93	89	ACW	V	2 STUDS DE & NDE
33-2-35ADV	35	2750	79	7.93	63	ACW	V	4 STUDS NDE
33-2-35ADW	35	2750	79	7.93	83.5	ACW	V	2 STUDS DE & NDE
33-2-35CFVDV	*35	2750	112	7.93	46.5	CW	FV	DE FLANGE

* Internal cooling fan

Notes: All 33 range motors are 240V, 50Hz unless otherwise stated.

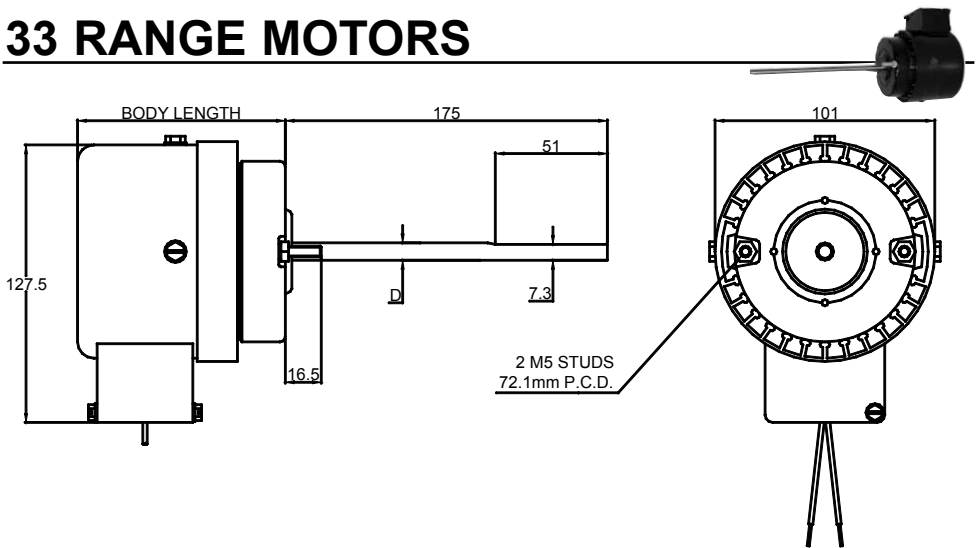
All models can be supplied in either rotation for the same price.

All models can be supplied with either 2,3 or 4 mountings at either or both ends for the same price.

All models can be fitted with side mounting brackets to match Italian or American motors.

Tel: +44 (0)1243 869905 Fax: +44 (0)1243 810799 E-mail: sales@remco.co.uk Web: www.remco.co.uk

33 RANGE MOTORS



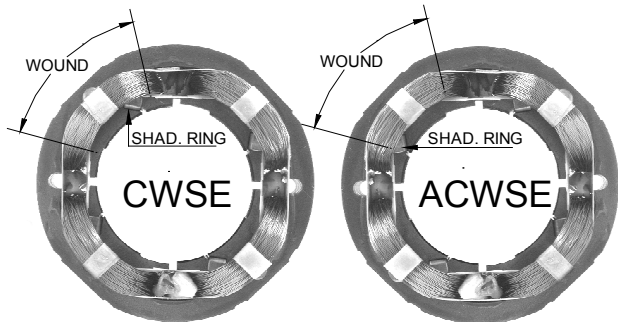
Totally enclosed fan ventilated mechanical duty motors

Model No.	Watts Out	Run Speed	Body Length	Shaft \varnothing	Rotation	Fixings
33-4-10ATEFV	10	1250	95	7.93	ACW	2 STUDS DE
33-4-10CTEFV	10	1250	95	7.93	CW	2 STUDS DE
33-4-45RTEFV *	45	1300	162	7.93	REV	8x TH DE
33-2-25ATEFV	25	2750	120	7.93	ACW	2 STUDS DE
33-2-25CTEFV	25	2750	120	7.93	CW	2 STUDS DE
33-2-75RTEFV *	75	2750	145	7.93	REV	8x TH DE

Note: Above motors have a stainless steel shaft.

* PSC models - Capacitors mounted onto motor body

If the rotation of a shaded pole motor is not known, it can be easily determined using the information in the views opposite.



S.E. - Viewed from shaft end

Our range of stock models can be modified to exact customer specifications. Old and obsolete motors don't usually present a problem, since we are able to make equivalents to many discontinued patterns of motor. Our computerised database stores information on thousands of OEM motor models, which can be cross referenced to our stock equivalents with just a quick call to our technical department.

Tel: +44 (0)1243 869905 Fax: +44 (0)1243 810799 E-mail: sales@remco.co.uk Web: www.remco.co.uk

33 RANGE MOTORS



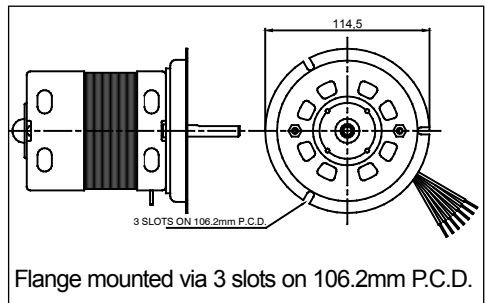
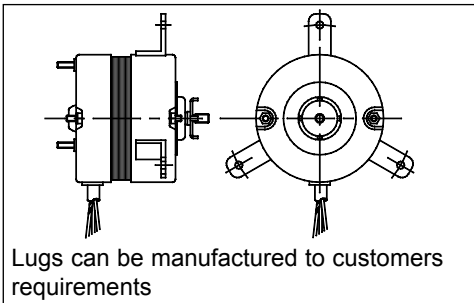
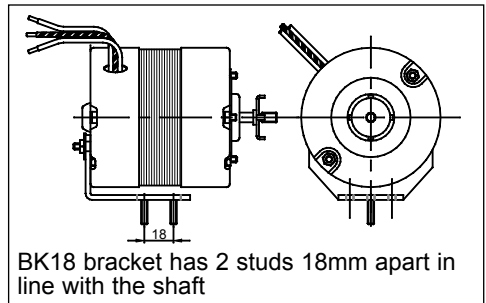
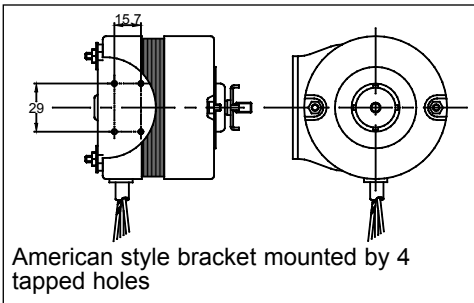
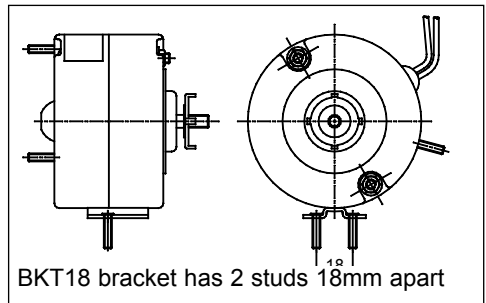
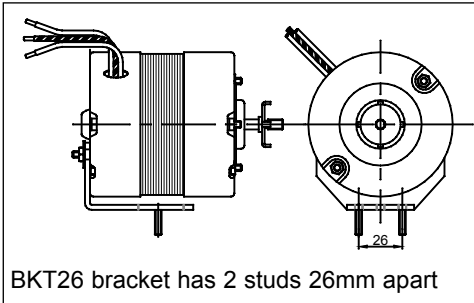
Mounting Options

33 Range motors are usually mounted via M4 studs or M4 tapped holes on either the Drive End (i.e. shaft end) or Non Drive End endshields.

The mounting diameter (P.C.D.) of the various stud configuration are as shown below.

- 2 studs or tapped holes on 72.2mm P.C.D. spaced at 180
- 3 studs or tapped holes on 71.5mm P.C.D. spaced at 180
- 4 studs or tapped holes on 72.2mm P.C.D. spaced at 90

These mounting diameters are industry standards used by most manufacturers of this motor frame size. Some models have a side stud mount as well as the 3 rear stud pattern



33 RANGE MOTORS



New 33 range models

Model No.	Type	Watts Out	Run Speed	Rotation (D.E.)	Shaft Ø & Length	Body Length	Fixings
33-2-35A	PSC	35	2750	ACW	7.93 x 47	82	3 STUD NDE
33-2-50A	PSC	50	2750	ACW	7.93 x 38	108	4 STUD NDE
33-2-75R	PSC	75	2750	REV	7.93 x 51	120	3 PD & 8 TH BOTH ENDS
33-2-90RAB	PSC	90	2750	ACW	7.93 x 51	120	3 PAD
33-2-100AB	PSC	100	2750	ACW	14mm x 57	120	FOOT
33-4-13AFL	SH.POLE	13	1350	ACW	40.6 to hub	61	3 STUD DE
33-4-23CFLS	SH.POLE	23	1350	CW	41 to hub	74	3 STUD NDE
33-4-25/2AFB	PSC	25	325/750	ACW	15 to hub	96	3 STUD NDE
33-4-25R	PSC	25	1350	REV	7.93 x 62	107	3 PAD & 3 TH DE
33-4-30A1	PSC	30	1350	ACW	7.93 x 38	108	FLANGE
33-4-50A	PSC	50	1350	ACW	7.93 x 85	108	4 STUD NDE
33-6-8A	PSC	8	900	ACW	7.93 x 30	76	FLANGE
33-6-8AR	PSC	8	900	ACW	7.93 x 30	76	3 PAD
33-6-15R	PSC	15	900	REV	7.93 x 50	76	3 PAD & 3 TH DE
33-6-20R	PSC	20	900	REV	7.93 x 50	76	3 PAD & 3 TH DE



Tel: +44 (0)1243 869905 Fax: +44 (0)1243 810799 E-mail: sales@remco.co.uk Web: www.remco.co.uk

33 / 35 RANGE MOTORS

Croydon electric motor replacements.

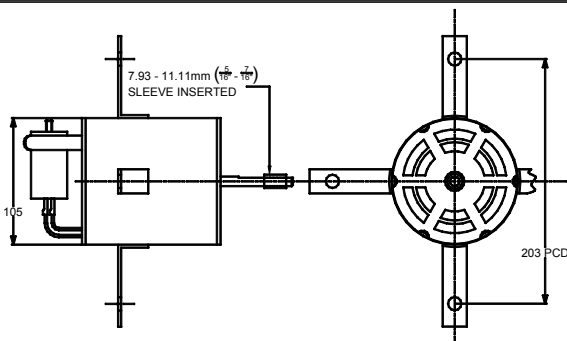
35-6-20RMU

Supplied with body mounted capacitor & shaft sleeved to 7/16" dia (11.11mm)

240V 50Hz 20W 900rpm

£

33-6-20RMU / Flexaire Mute, Series 2.



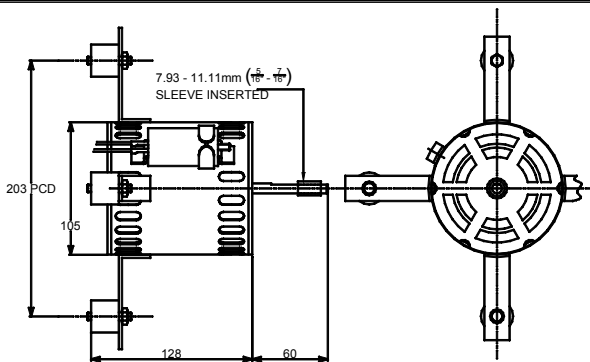
35-6-20RJA

Supplied with body mounted capacitor & shaft sleeved to 7/16" dia (11.11mm) & fitted with rubber A/V mounts

240V 50Hz 20W 900rpm

£

35-6-20RJA / Andrews Weatherfoil JA27DLE.



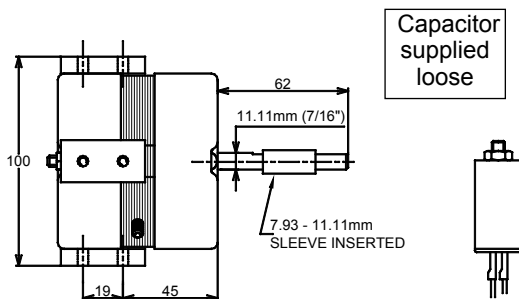
33-6-20RFB

Supplied with loose capacitor & shaft sleeved to 7/16" dia (11.11mm)

240V 50Hz 20W 900rpm

£

33-6-20RFB / Fenton Byrn.

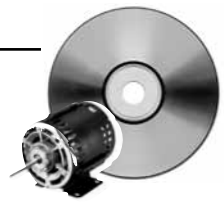


35 RANGE MOTORS

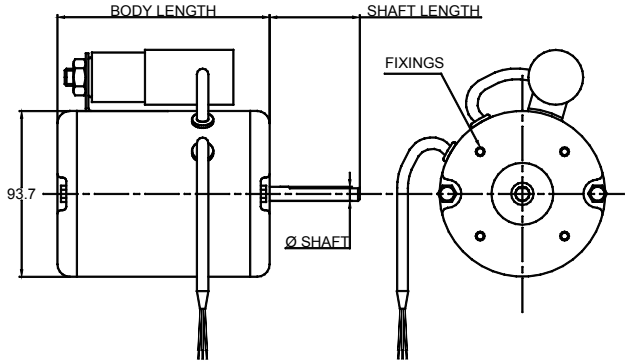
Remco 35 Range motors are produced in 2, 4 and 6 pole versions with power outputs from 8 to 150 watts. They are available in a variety of mounting and shaft arrangements with, in most cases, flying leads which can be cut to required lengths.

This range is particularly suited to air movement and other Hvac applications and most of the range are designed as P.S.C. (Permanent Split Capacitor) motors for use on single phase supplies with some three phase models also available.

35 Range motors are available in both ventilated and totally enclosed frames and with either single or double shaft extensions with up to 6 speeds available. Bearings are lubricated-for-life sleeve or sealed ball bearings. Several models are available with Nema flanged end shields for use in oil and gas burner applications, see oil burner section, page 64.



Full specifications and outline drawings can be found in our new catalogue on cd-rom available soon, or visit our website



Single shaft, single speed, endshield mount.

Model No.	Watts Out	Run Speed	Rotation (D.E.)	Shaft Ø & Length	Body Length	Fixings
35-2-60C	60	2750	CW	7.93 x 51	120	8 TH DE
35-2-75AB	75	2750	ACW	7.93 x 51	120	8 TH DE/NDE
35-2-75CB	75	2750	CW	7.93 x 51	120	8 TH DE/NDE
35-2-90CM	90	2750	CW	7.93 x 51	120	4 TH DE
35-4-10A	10	1300	ACW	12.7 x 146	98	3 SD DE
35-4-15C	15	1300	CW	8 x 40	92	3 TH NDE
35-4-25R	25	1300	REV	7.93 x 63	105	3 TH DE / 3 PD
35-4-30A	30	1300	ACW	12.7 x 146	98	3 SD DE

Single shaft, multi speed, endshield mount, 4 pole.

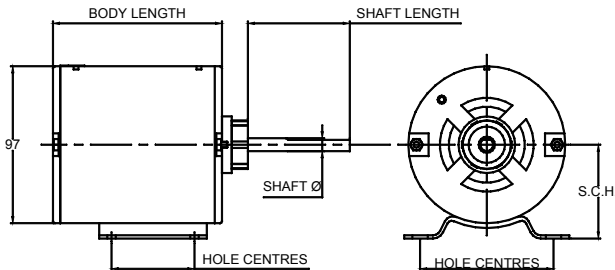
Model No.	Watts Out	Speeds	Rotation (DE)	Shaft Ø & Length	Body Length	Fixings
35-4-13/3A	13	3	ACW	7.93 x 53	98	3 SD DE/NDE
35-4-20/3A	20	3	ACW	7.93 x 53	98	3 SD DE/NDE

Single shaft, single speed, endshield mount, 3 phase.

Model No.	Watts Out	Run Speed	Rotation (D.E.)	Shaft Ø & Length	Body Length	Fixings
35-2-75-3P	75	2750	REV	7.93 x 30	118	4 TH DE

Tel: +44 (0)1243 869905 Fax: +44 (0)1243 810799 E-mail: sales@remco.co.uk Web: www.remco.co.uk

35 RANGE MOTORS

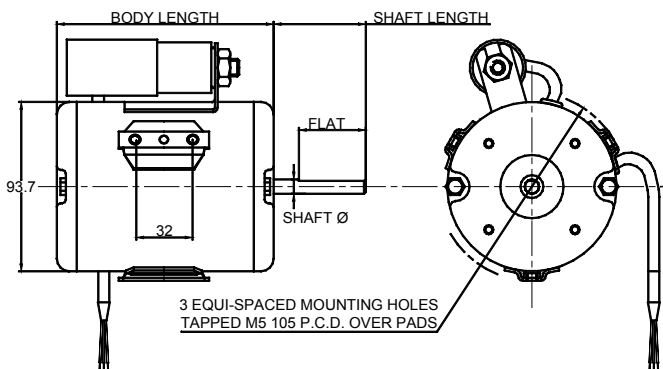


Single shaft, single speed, foot mount.

Model No.	Watts Out	Run Speed	Rotation (D.E.)	Shaft Ø & Length	Body Length	Shaft Centre Height
35-2-100AB	100	2750	ACW	12.7 x 50	130	59
35-4-45-1P	45	1300	REV	7.93 x 57	118	62
35-4-75R1	75	1300	REV	8 x 63	105	58
35-4-150R1-FT	150	1300	REV	8 x 61	112	62

Single shaft, single speed, foot mount, 3 phase.

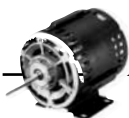
Model No.	Watts Out	Run Speed	Rotation (D.E.)	Shaft Ø & Length	Body Length	Shaft Centre Height
35-4-45-3P	45	1300	REV	7.93 x 57	118	62



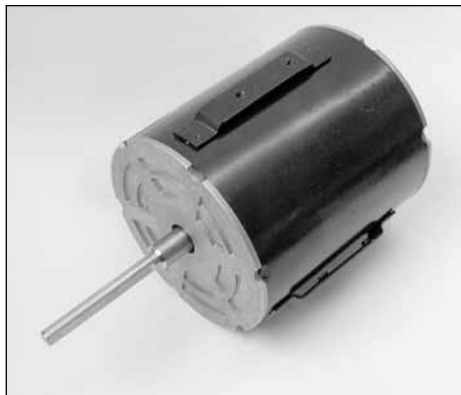
Single shaft, single speed, radially mounted.

Model No.	Watts Out	Run Speed	Rotation (D.E.)	Shaft Ø & Length	Body Length	Fixings
35-2-75AB	75	2750	ACW	7.93 x 51	120	3 PAD
35-2-90RAB	90	2750	ACW	7.93 x 51	120	3 PAD

Tel: +44 (0)1243 869905 Fax: +44 (0)1243 810799 E-mail: sales@remco.co.uk Web: www.remco.co.uk



35 RANGE MOTORS



35-6-75R1 & 35-6-90R1
are totally enclosed



All other models have
ventilated bodies

Single shaft, single speed, radially mounted.

Model No.	Watts Out	Run Speed	Rotation (D.E.)	Shaft Ø & Length	Body Length	Fixings
35-4-25R1	25	1300	REV	7.93 x 65	101	3 PAD & T.H.D.E.
35-4-50R1	50	1300	REV	7.93 x 80	101	3 PAD & T.H.D.E.
35-4-80R1	80	1300	REV	7.93 x 80	101	3 PAD & T.H.D.E.
35-4-100R1	100	1300	REV	7.93 x 80	101	3 PAD & T.H.D.E.
35-4-150R1	150	1300	REV	7.93 x 74	112	3 PAD
35-6-8R1	8	900	REV	7.93 x 80	101	3 PAD & T.H.D.E.
35-6-20R1	20	900	REV	7.93 x 80	115	3 PAD & T.H.D.E.
35-6-35R1	35	900	REV	7.93 x 80	115	3 PAD & T.H.D.E.
35-6-50R1	50	900	REV	7.93 x 80	115	3 PAD & T.H.D.E.
35-6-75R1	75	900	REV	7.93 x 82.5	120	3 PAD
35-6-90R1	90	900	REV	7.93 x 82.5	120	3 PAD

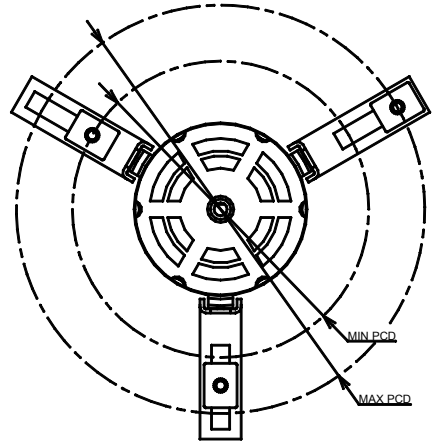
All models are supplied with capacitors & 5/16" (7.93mm) to 3/8" (9.52) shaft sleeves.

For use with blower mounting kits. see page 28 for details

35 RANGE MOTORS

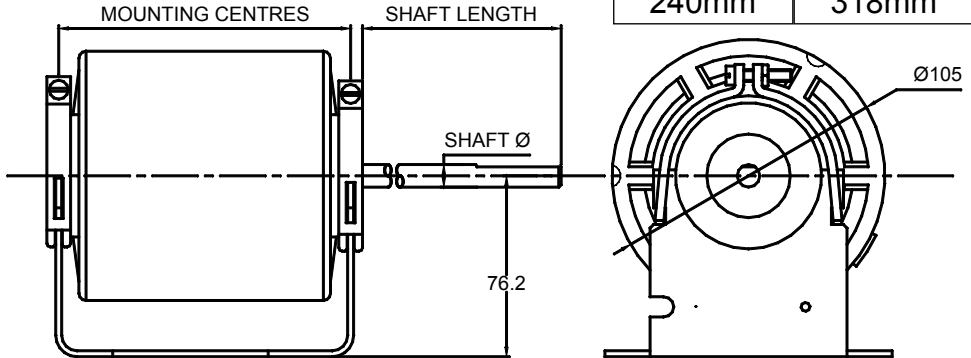


35-4-150R1 with blower mounting kit fitted.



35 Range blower arms

Standard kit	Long kit
Min. P.C.D.	Min. P.C.D.
174mm	230mm
Max. P.C.D.	Max. P.C.D.
240mm	318mm



Single shaft, single speed, resilient base mount.

Model No.	Watts Out	Run Speed	Rotation (D.E.)	Shaft Ø & Length	Mounting Centres
35-4-38A	38	1400	ACW	12.7 x 100	110
35-4-38A1	38	1400	ACW	11.1 x 100	110
35-4-38C	38	1400	CW	12.7 x 100	110
35-4-38C1	38	1400	CW	11.1 x 100	110
35-4-65A1	65	1350	ACW	8 x 70	123
35-4-75A	75	1400	ACW	12.7 x 212	123
35-4-75A1	75	1400	ACW	11.1 x 212	123
35-4-75C	75	1400	CW	12.7 x 212	123
35-4-75C1	75	1400	CW	11.1 x 212	123

Tel: +44 (0)1243 869905 Fax: +44 (0)1243 810799 E-mail: sales@remco.co.uk Web: www.remco.co.uk

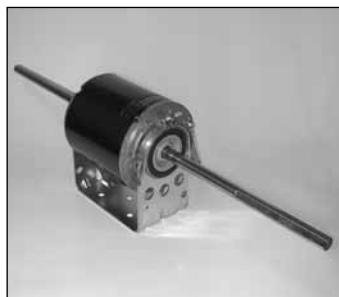
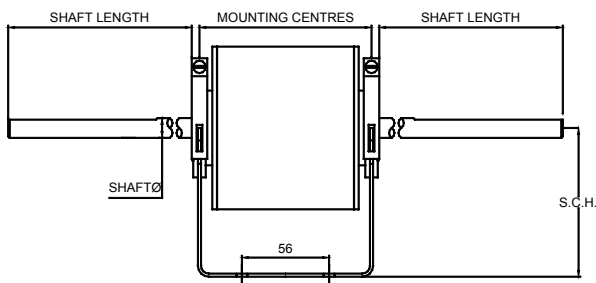


35 RANGE MOTORS

Single shaft, multi speed, resilient base mount, 4 pole.

Model No.	Watts Out	Speeds	Rotation (D.E.)	Shaft Ø & Length	Shaft Centre Hgt.	Mounting Centres
35-4-20/6C	20	6	CW	12.7x 188	89	123
35-4-25/2A	25	2	ACW	12.7 x 196	76.2	110
35-4-25/3C	25	3	CW	12.7 x 196	89	110
35-4-25/3C1	25	3	CW	9.5 x 196	89	110
35-4-30/3A *	30	3	ACW	12.7 x 150	76.2	123
35-4-30/3C	30	3	CW	12.7 x 200	76.2	110
35-4-30/3C1	30	3	CW	9.5 x 205	76.2	110
35-4-35/2C	35	2	CW	12.7 x 200	89	110
35-4-35/3A	35	3	ACW	12.7 x 200	76.2	110
35-4-35/3A1	35	3	ACW	9.5 x 205	76.2	123
35-4-35/3C	35	3	CW	12.7 x 200	89	110
35-4-35/3C1	35	3	CW	9.5 x 205	76.2	123
35-4-45/3A	45	3	ACW	12.7 x 205	89	110
35-4-45/3C	45	3	CW	12.7 x 205	89	110
35-4-55/3A	55	3	ACW	12.7 x 205	76.2	110
35-4-55/3A1	55	3	ACW	9.5 x 205	89	110
35-4-55/3C	55	3	CW	12.7 x 205	76.2	110
35-4-55/3C1	55	3	CW	9.5 x 205	89	110
35-4-70/2C	70	2	CW	12.7 x 45	76.2	123
35-4-75/2C	75	2	CW	12.7 x 133	89	123

*Wiring modification. Special lead colours



Double shaft, single speed, resilient base mount, 4 pole.

Model No.	Watts Out	Speeds	Rotation (L.E.)	Shaft Ø & Length	Shaft Centre Hgt.	Mounting Centres
35-4-40DS *	40	1400	ACW	12.7 x 177	-----	123
35-4-55DS *	55	1400	ACW	12.7 x 205	-----	110
35-4-75DS *	75	1400	ACW	12.7 x 177	-----	123
35-4-75DS	75	1400	ACW	12.7 x 212	76.2	123
35-4-75DS1	75	1400	CW	11.1 x 212	76.2	123

*Not supplied on base. Fit directly in to O.E.M. base

35 RANGE MOTORS



Double shaft, Multi speed, Resilient base mount, 4 pole.

Model No.	Watts Out	Speeds	Rotation (L.E.)	Shaft Ø & Length	Shaft Centre Hgt.	Mounting Centres
35-4-35/3DS	35	3	ACW	12.7 x 205	76.2	110
35-4-35/3DS1	35	3	ACW	9.5 x 196	76.2	123
35-4-35/6DS	35	6	ACW	12.7 x 196	89	123
35-4-40/3DS	40	3	ACW	12.7 x 196	76.2	123
35-4-45/3DS *	45	3	ACW	12.7 x 150	76.2	123
35-4-55/3DS	55	3	ACW	12.7 x 205	76.2	110
35-4-55/3DS1	55	3	ACW	9.5 x 205	89	110
35-4-55/6DS	55	6	ACW	12.7 x 205	89	110
35-4-55/6DS1	55	6	ACW	9.5 x 205	89	110
35-4-75/3DS	75	3	CW	12.7 x 212	76.2	123
35-4-75/3DS1	75	3	CW	11.1 x 212	76.2	123
35-4-80/6DS	80	6	ACW	12.7 x 180	102	133

* Wiring Modification

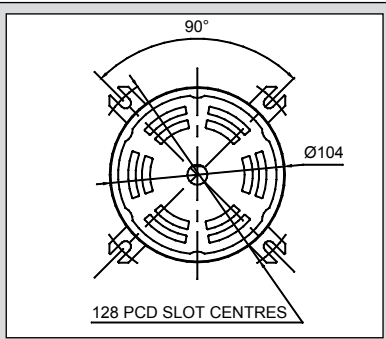


Shafts can be turned down or sleeved up. Shaft ends can be threaded, holes drilled and tapped, keyways cut and flats milled as required

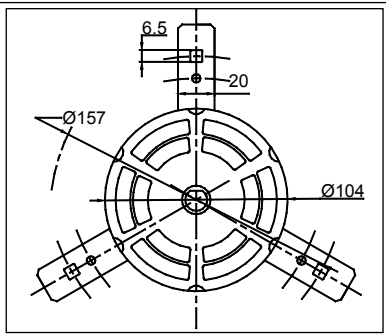


35 RANGE MOTORS

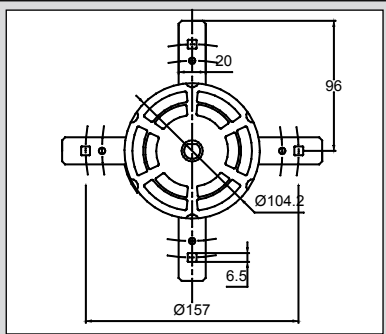
35-4-70AL



35-4-70CL



35-4-150AL

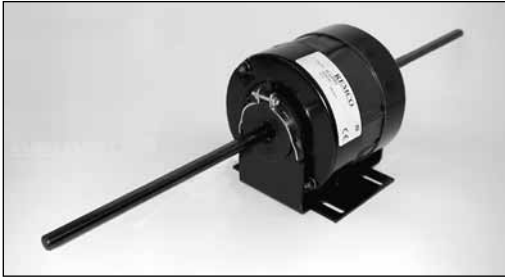


Single shaft, single speed, lug mount.

Model No.	Watts Out	Run Speed	Rotation (D.E.)	Shaft Ø & Length	Fixings	Body Length
35-4-70AL	70	1350	ACW	12 x 50	4 LUGS	103
35-4-70CL	70	1300	CW	12.7 x 42	3 LUGS	94
35-4-150AL	150	1300	ACW	12.7 x 79	4 LUGS	109

Tel: +44 (0)1243 869905 Fax: +44 (0)1243 810799 E-mail: sales@remco.co.uk Web: www.remco.co.uk

41 RANGE MOTORS



Double shafted, Totally enclosed, resilient base mounted motor.

The double shafted motors in this range are designed for fan duty & have a 9.5mm(3/8") shaft diameter.



Single shafted, ventilated, radial mounted motor.

Available with a 9.5mm(3/8") or 7.93mm(5/16") shaft diameter & mounted by our standard or long blower kit, this type of motor is ideal for warm air units.



Double shafted, ventilated, Twin speed, stud mounted motor.

Alternative mountings are available such as resilient base with a shaft centre height to match your sample.



Single shafted, totally enclosed, rear mounted motor.

Also available with our radial band allowing standard or long blower kit mounting.



Single shafted, totally enclosed, multi speed, drive end mounted motor.

Standard mounting for this type of motor is 3 x M4 studs on a p.c.d of 85.7mm. Base mounting available.



Single shafted, ventilated, bracket mounted motor.
Tophat bracket or 3 studs drive end on a p.c.d of 71.2mm to suit JA12 type units.



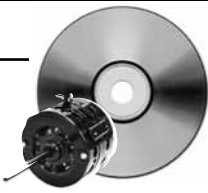
Single shafted, ventilated, high voltage, drive end mounted motor.

The 41-4-50CHV is a single phase high voltage (380-420V supply) motor which operates on two phases of a 3 phase supply

Please refer to individual motor specifications for detailed dimensions, the illustrations above show general appearance of the motors only.

Tel: 01243 869905 **Fax:** 01243 810799 **E-mail:** sales@remco.co.uk **Web:** www.remco.co.uk

41 RANGE MOTORS



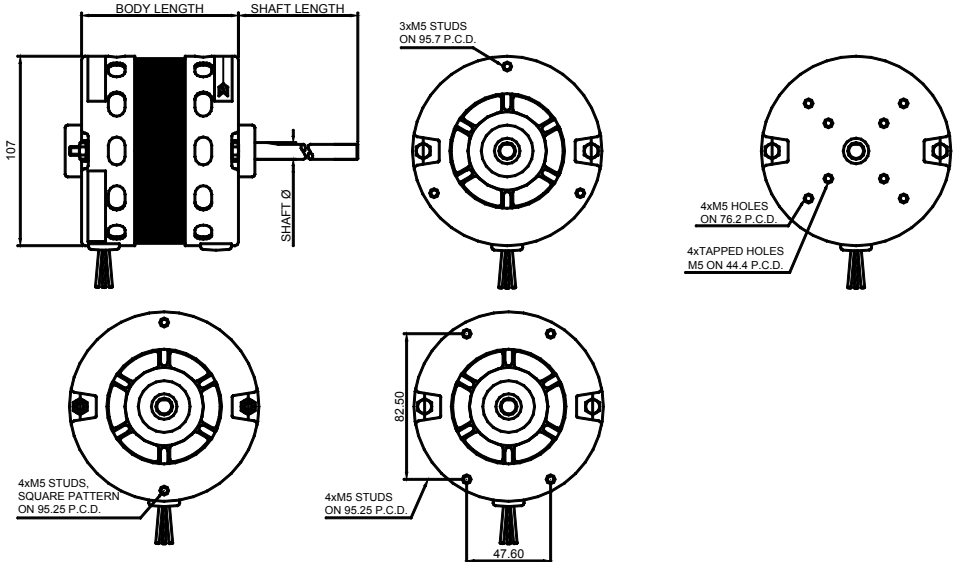
Full specifications and outline drawings can be found in our new catalogue on cd-rom available soon, or visit our website.

Remco 41 Range motors are a range of shaded pole motors particularly suitable for light to medium power fan duties.

They are produced in 4 and 6 pole versions in outputs ranging from 8 to 80 watts, mostly in single speed versions, but the range includes some 2 and 3 speed models.

To suit a wide range of fan applications, 41 range motors are available in both Ventilated and T.E. frames and with either single or double shaft extensions.

Their self-aligning, lubricated for life bearings are designed to provide the quiet running required by many applications.



Single shaft, single speed, endshield mount 4 & 6 pole

Model No.	Watts Out	Run Speed	Rotation (D.E)	Shaft \varnothing & Length	Body Length	Fixings
41-4-10A	10	1200	ACW	9.5 x 142	82	3 SD DE
41-4-30A	30	1200	ACW	9.5 x 142	82	3 SD DE
41-4-35C4	35	1275	CW	9.5 x 50	89	4 SD NDE rect
41-6-8A3	8	550	ACW	7.93 x 55	76	3 SD DE
41-6-37A1X	37	875	ACW	7.93 x 102	89	4 SD NDE rect
41-6-37AX	37	875	ACW	9.5 x 102	89	4 SD NDE rect
41-6-37C1X	37	875	CW	7.93 x 102	89	4 SD NDE rect
41-6-37CX	37	875	CW	9.5 x 102	89	4 SD NDE rect
41-6-40A1-BKT	40	875	ACW	7.93 x 102	89	8 TH NDE
41-6-40C1-BKT	40	875	CW	7.93 x 102	89	8 TH NDE
41-6-50A1-BKT	50	875	ACW	7.93 x 102	102	8 TH NDE
41-6-50C1-BKT	50	875	CW	7.93 x 102	102	8 TH NDE
41-6-50AX	50	875	ACW	9.5 x 102	102	4 SD NDE rect
41-6-50CX	50	875	CW	9.5 x 102	102	4 SD NDE rect

Tel: +44 (0)1243 869905 Fax: +44 (0)1243 810799 E-mail: sales@remco.co.uk Web: www.remco.co.uk

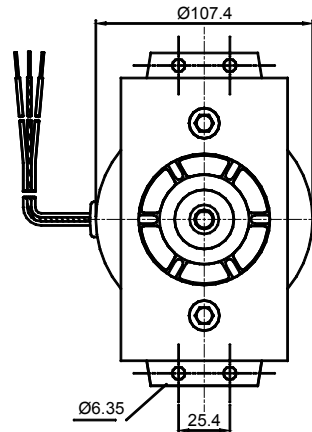
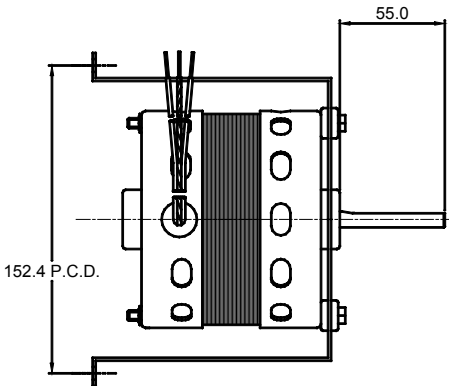
41 RANGE MOTORS

Single shaft, multi speed, endshield mounted 4 pole

Model No.	Watts Out	Speeds	Rotation (D.E)	Shaft Ø & Length	Body Length	Fixings
41-4-30/3A	30	3	ACW	9.5 x 142	82	3 SD DE

Single shaft, endshield mounted 4 pole 400v 50Hz, single phase

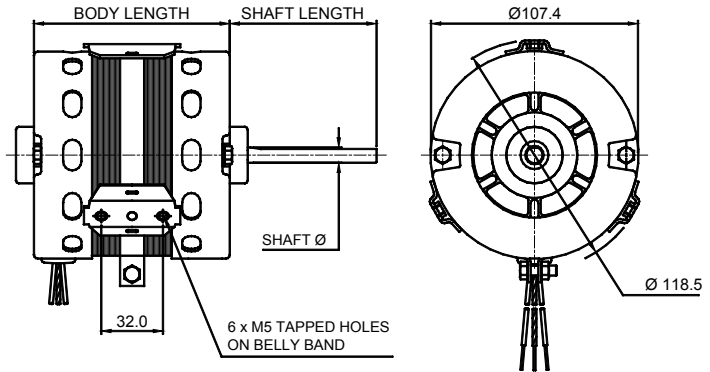
Model No.	Watts Out	Run Speed	Rotation (D.E)	Shaft Ø & Length	Body Length	Fixings
41-4-50CHV	50	1300	CW	7.93 x 76	102	4 SD DE



Single shaft, single speed, bracket mounted JA12 type motor

Model No.	Watts Out	Run Speed	Rotation (D.E)	Shaft Ø & Length	Fixings
41-6-8A-BKT	8	550	ACW	7.93 x 55	Tophat bracket

41 RANGE MOTORS



Single shaft, radial mount, 4 & 6 pole.

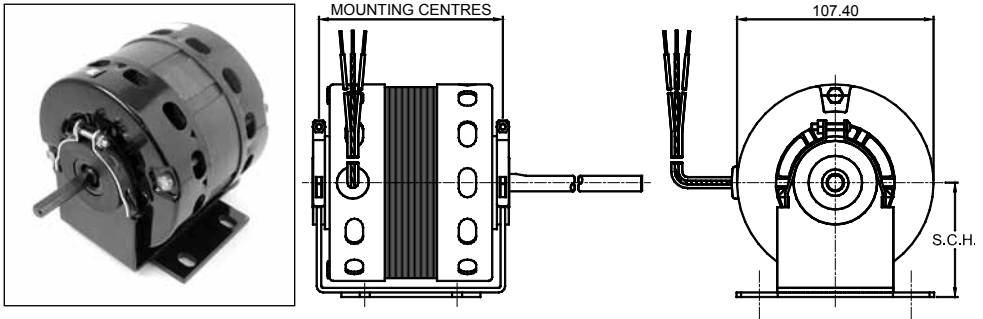
Model No.	Watts Out	Run Speed	Rotation (D.E.)	Shaft Ø & Length	Body Length
41-4-25AV	25	1300	ACW	9.5 x 76	89
41-4-35C	35	1300	CW	9.5 x 50	89
41-4-45C	45	1300	CW	7.93 x 81	89
41-4-75C	75	1300	CW	9.5 x 102	102
41-6-8A	8	875	ACW	7.93 x 63.5	76
41-6-12A	12	875	ACW	9.5 x 102	76
41-6-21A	21	875	ACW	9.5 x 102	76
41-6-21C1	21	875	CW	7.93 x 102	76
41-6-25A	25	875	ACW	9.5 x 102	76
41-6-37C	37	875	CW	9.5 x 102	89
41-6-37A1	37	875	ACW	7.93 x 102	89
41-6-50A	50	875	ACW	9.5 x 102	102
41-6-50C1	50	875	CW	7.93 x 102	102
41-6-75C	75	875	CW	9.5 x 102	102
41-6-75A1	75	875	ACW	7.93 x 102	102

Notes: All 41 range motors are 240V, 50Hz unless otherwise stated.
 All models can be supplied in either rotation for the same price.
 All models can be supplied with either 2,3 or 4 mountings at either or both ends, belly band for radial mounting or resilient base.

Tel: +44 (0)1243 869905 Fax: +44 (0)1243 810799 E-mail: sales@remco.co.uk Web: www.remco.co.uk

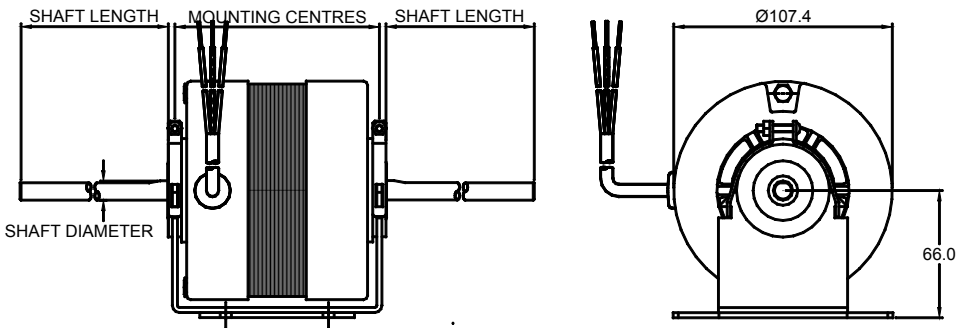
41 RANGE MOTORS

Single shaft, resilient base mount.



Model No.	Watts Out	Run Speed	Rotation (D.E)	Shaft Ø & Length	Shaft Centre Hgt.	Mounting Centres
41-4-9C	9	1300	CW	9.5 x 102	67	98
41-4-25A1	25	1300	ACW	7.93 X 55	57	98
41-4-25AMR ★	25	1300	ACW	9.5 X 76	66	98
41-4-25CMR	25	1300	CW	9.5 X 76	66	98
41-6-30C	30	820	CW	9.5 X 76	67	98

★Mechanical duty motors - No cooling required.

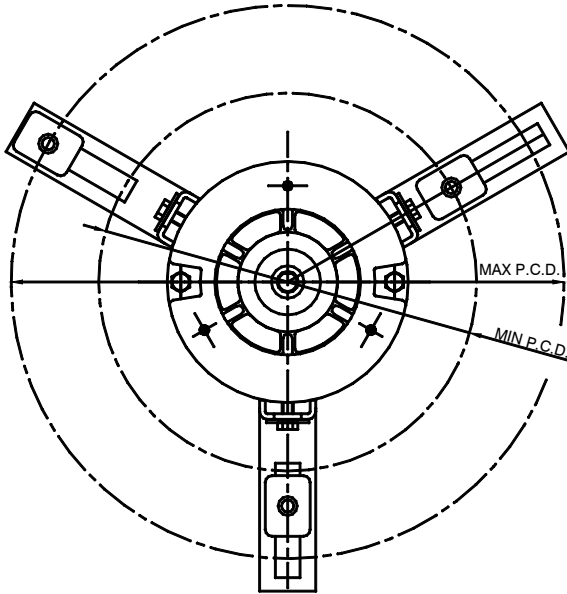


Double shaft, resilient base mounted, single and 2 speed

Model No.	Watts Out	Speeds	Rotation (L.E)	Shaft Ø & Length	Shaft Centre Hgt.	Mounting Centres
41-4-25DSB	25	1275	ACW	9.5 x 187each	66	98
41-4-50/2DS	50	1300/1100	ACW	9.5 x 187each	67	98

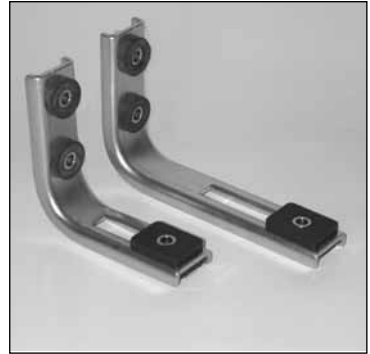
Tel: +44 (0)1243 869905 Fax: +44 (0)1243 810799 E-mail: sales@remco.co.uk Web: www.remco.co.uk

41 RANGE MOTORS



41 Range blower arms

Standard kit	Long kit
Min. P.C.D. 190mm	Min. P.C.D. 242mm
Max. P.C.D. 252mm	Max. P.C.D. 334mm



All 41 Range motors supplied with radial mounting (belly) band welded to the motor casing (see page 31) can be used with 41 Range blower mounting arms which are used to mount the motor into centrifugal fan casing - see below.



48 RANGE MOTORS

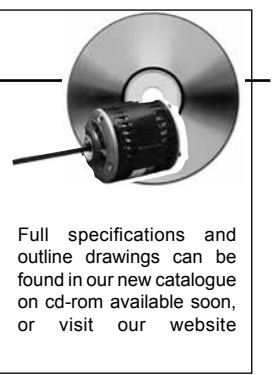
Remco 48 Range motors are produced in 4, 6 and 8 pole versions, with power outputs from 13 to 550 watts. They are available in a variety of mountings and shaft arrangements and in most cases with flying leads which can be cut to required lengths.

This frame size is particularly suitable for Air Movement and other Hevac applications, and most of the range is designed as Permanent Split Capacitor (P.S.C.) motors for use on single phase supplies, with some three phase and low power shaded pole models.

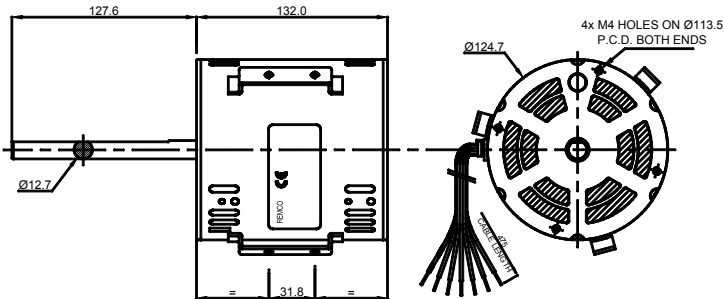
Multi speed models offering 2, 3, 4 or 6 run speeds in either single or double shafted versions are also available.

Capacitor Start and Split Phase versions are available in the higher powers for small machine or belt drives or where higher start torque is required.

All models are designed for use on 220/240V, 50/60Hz supply.



Full specifications and outline drawings can be found in our new catalogue on cd-rom available soon, or visit our website



Single shaft, single speed, radial mount, reversible rotation

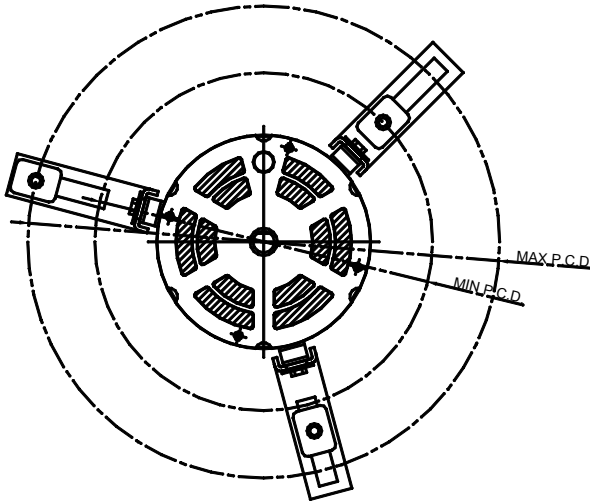
Model No.	Watts Out	Run Speed	Rotation	Cap Size (mfd)	Body Length	Shaft Ø & Length	Fixings
48-4-150R	150	1350	REV.	5	120	12.7 x 127	3 RADIAL PADS
48-4-200R	200	1350	REV.	6	120	12.7 x 127	3 RADIAL PADS
48-4-200C1	200	1350	CWSE	6	120	9.52 x 70	3 RADIAL PADS
48-4-200C1*	200	1350	CWSE	6	120	9.52 x 70	BODY BAND
48-4-370R	370	1350	REV.	10	136	12.7 x 127	3 RADIAL PADS
48-4-550R	550	1350	REV.	16	136	12.7 x 127	3 RADIAL PADS
48-6-125R	125	900	REV.	6	136	12.7 x 127	3 RADIAL PADS
48-6-200R	200	900	REV.	6	136	12.7 x 127	3 RADIAL PADS
48-6-250R	250	900	REV.	10	136	12.7 x 127	3 RADIAL PADS
48-6-335R	335	900	REV.	8	136	12.7 x 127	3 RADIAL PADS

Note: Model 48-4-200C1* is supplied without pads as it fits into a clamp band linked to four mounting arms.

The prices listed above include capacitors which are supplied loose for mounting on the side of the fan housing.

Tel: +44 (0)1243 869905 Fax: +44 (0)1243 810799 E-mail: sales@remco.co.uk Web: www.remco.co.uk

48 RANGE MOTORS



48 Range blower arms

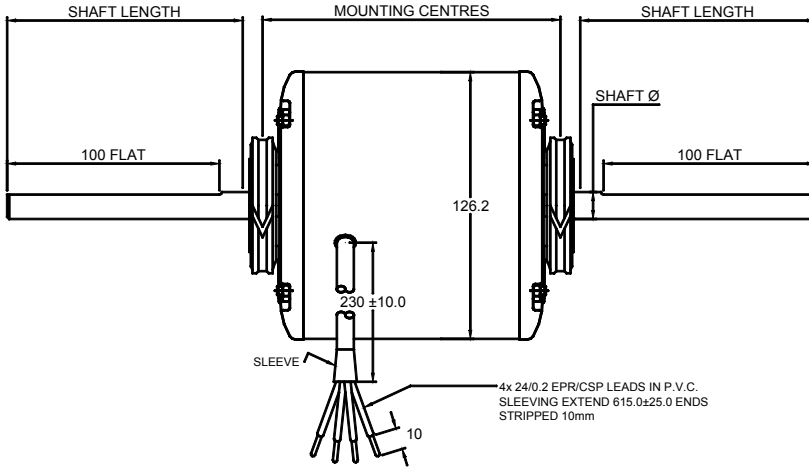
Standard kit	Long kit
Min. P.C.D. 221mm	Min. P.C.D. 242mm
Max. P.C.D. 252mm	Max. P.C.D. 334mm



All 48 Range motors supplied with three radial mounting pads welded to the motor casing (see page 34) can be used with 48 Range blower mounting arms which are used to mount the motor into centrifugal fan casing.



48 RANGE MOTORS



Fan coil motors. Double shafted, single speed, 4 pole, 1350rpm



These models are supplied with a loose capacitor and are fitted with 56mm diameter resilient rings - they are designed to fit directly into the O.E.M. cradles .

If required all the above motors can be supplied on resilient base style B.

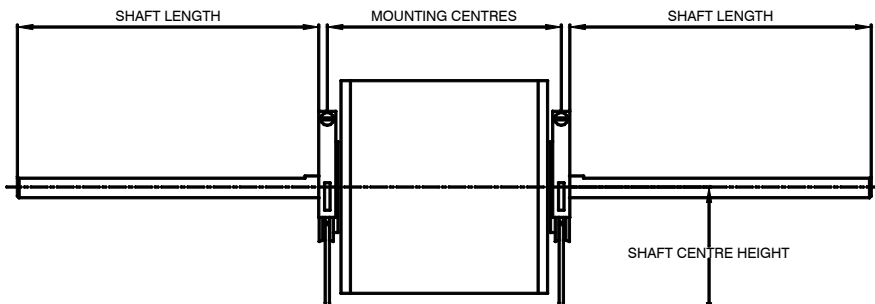
All the above models can also be supplied as single shafted motors with either clockwise or anti-clockwise rotation viewed from the shaft end.

Model No.	Watts Out	Run Speed	Horse power	Shaft Ø & Length
48-4-37DS	37	1350	0.5	12.7 x 111
48-4-37DS1	37	1350	0.5	11.1 x 111
48-4-50DS	50	1350	0.062	12.7 x 111
48-4-50DS1	50	1350	0.062	11.1 X 111
48-4-120DS1	120	1350	0.166	11.1 x 111

Run speeds of these models are controlled via a wire wound resistor mounted on the fan tray, these items can be supplied if required, See page 82.

48 RANGE MOTORS

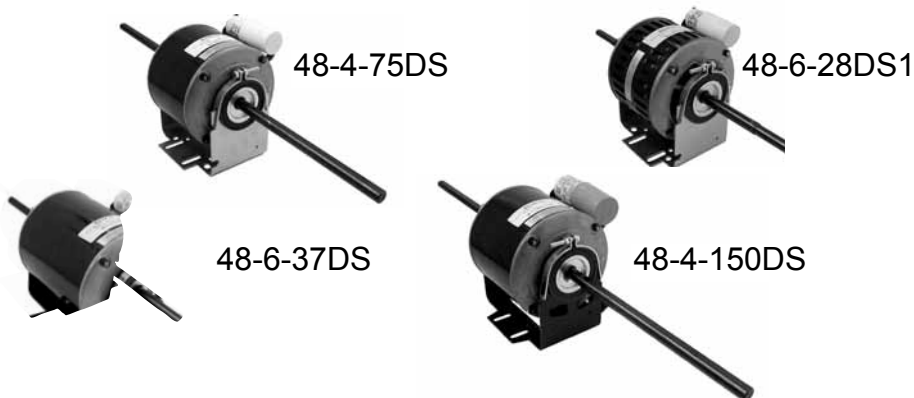
Fan coil motors



Double shafted, single speed, 4 & 6 pole supplied on resilient mounting base.

Model No.	Watts Out	Run Speed	Shaft Ø & Length	Mounting Centres	Shaft Centre height	Base Style	Lead Length
48-4-75DS	75	1400	12.7 x 199	124	76.2	A	610
48-4-75DS1	75	1400	11.1 x 199	124	76.2	A	610
48-4-90DS	90	1300	12.7 x 180	124	76.2	A	610
48-4-100DS	100	1350	12.7 x 128	124	76.2	A	610
48-4-150DS	150	1350	12.7 x 230	136	76.2	A	900
48-6-20DS	20	900	12.7 x 238	124	76.2	A	1220
48-6-28DS1	28	900	11.1 x 121	124	102	A	1220
48-6-37DS	37	900	12.7 or 15.9 x 138	177	88.9	K	915
48-6-90DS	90	900		177	88.9	K	915

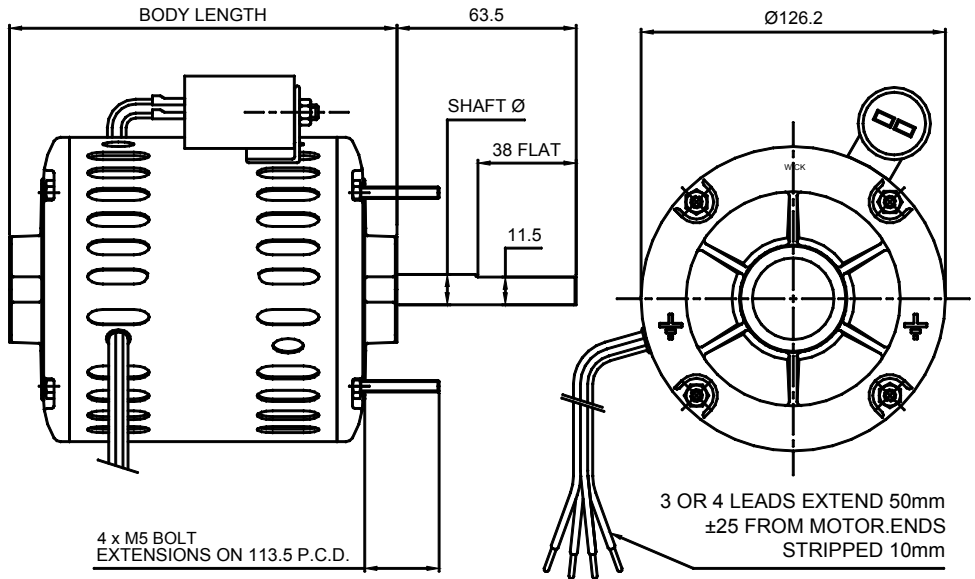
Notes: All THE ABOVE models are fitted with the appropriate run capacitor.
 All models can be supplied as single shaft motors with either CW or ACW rotation viewed from the shaft end.
 All models can be mounted on different styles of resilient base for the same prices - see pages 86 - 88 for base styles.



Tel: +44 (0)1243 869905 Fax: +44 (0)1243 810799 E-mail: sales@remco.co.uk Web: www.remco.co.uk

48 RANGE MOTORS

Roof ventilator motors, endshield mount 4 & 6 pole



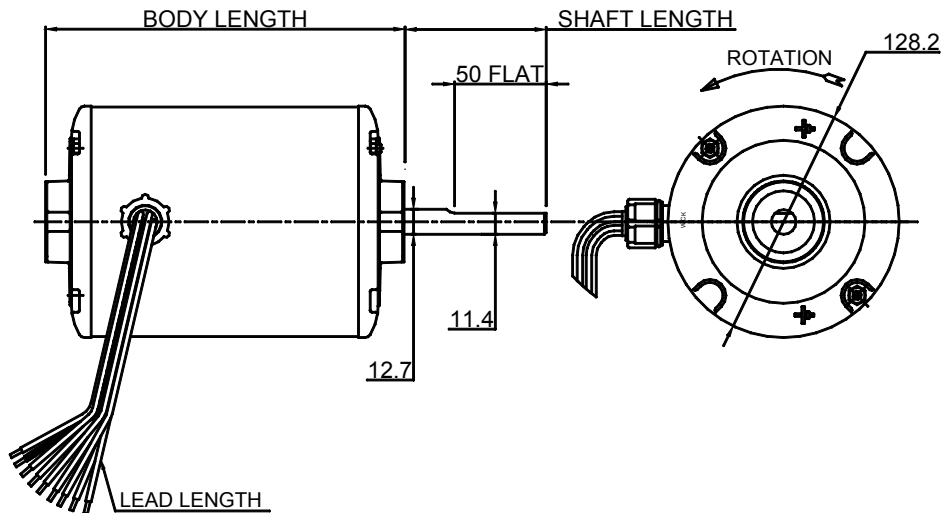
Model No.	Watts Out	Run Speed	Body Length	Shaft Ø
48-6-15C1MR	15	850	139	7.93
48-6-15CMR	15	850	139	12.7
48-6-35C1MR	35	900	139	7.93
48-6-35CMR	35	900	139	12.7
48-4-30CMR	30	1350	139	12.7
48-4-120/2CMR	120	1350 / 950	158	12.7

Note: Motors are mechanically rated, although they drive fans, there is no airflow over the motor body.

These motors replace the smaller bodied 3point mount motors sometimes found in these units, simply re-drill the aluminium dish to accept our replacement motor.

48 RANGE MOTORS

Condenser fan motors, designed to be clamp mounted on the fanguard

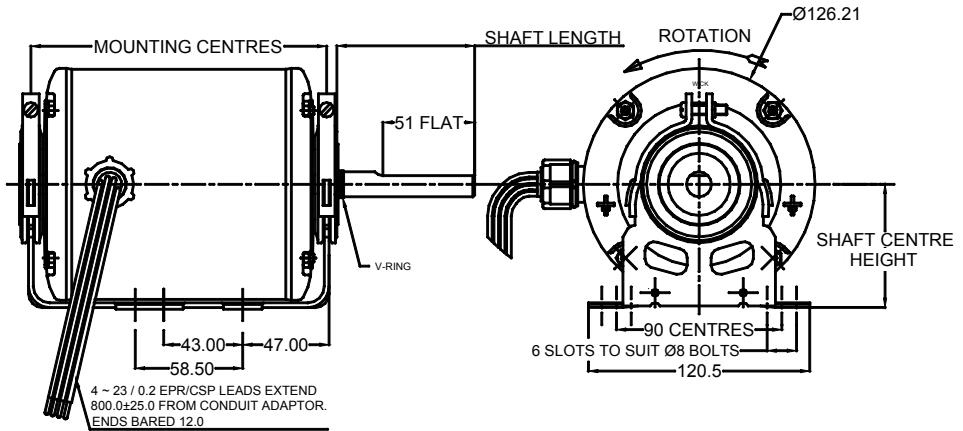


Model No.	Watts Out	Run Speed	Phase	Shaft Length	Lead Length	Body Length	Rotation
48-4-90AB	90	1425	1	64	800	171	ACW
48-4-90-3PB	90	1425	3	64	800	158	REV
48-6-180AB	180	900	1	77	600	183	ACW
48-6-180-3PB	180	900	3	77	600	171	REV
48-6-250AB	250	900	1	77	600	196	ACW
48-6-250-3PB	250	900	3	77	600	196	REV

Note: Prices for single phase models include capacitors.

48 RANGE MOTORS

Condenser fan motors, designed to be resilient base mounted or clamp mounted on the fan guard



Model No.	Watts Out	Run Speed	Phase	S.C.H.	Shaft Length	Lead Length	Mounting Centres	Rotation
48-4-125A	125	1425	1	67	75	800	161	ACW
48-4-125-3P	125	1425	3	67	64	915	161	REV
48-4-150A	150	1425	1	89	62	900	139	ACW
48-4-150C	150	1425	1	89	62	900	139	CW
48-4-180-3PB	180	1425	3	67	62	915	161	REV

Note: Prices for single phase models include capacitors.

Condenser fan motors, resilient base mounted, twin speed, single phase

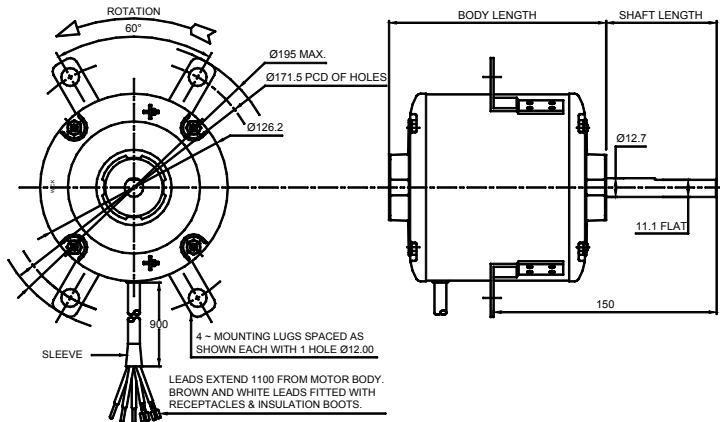
Model No.	Watts Out	Run Speeds	Shaft Ø & Length	Mounting centres	S.C.H.	Lead Length	Rotation
48-4-90/2C	90	1400/1200	12.7x51	124	89	480	CW
48-6-20/2A	20	760/650	12.7x67	111	89	760	ACW
48-6-30/2A	30	910/815	12.7x67	111	89	780	ACW

Note: These models are used as single speed motors and are normally connected to run on the low speed winding. When the condensing unit is used in high ambient temperatures the motors can be connected to run on high speed for extra duty.

Tel: +44 (0)1243 869905 Fax: +44 (0)1243 810799 E-mail: sales@remco.co.uk Web: www.remco.co.uk

48 RANGE MOTORS

Condenser fan motors, lug mounted, twin speed



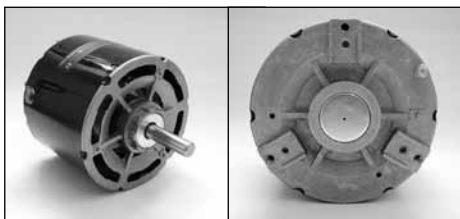
Model No.	Watts Out	Run Speed	Body Length	Shaft Length
48-6-75/2AL	75	900/800	146	75
48-6-125/2AL	125	900/800	146	75
48-6-200/2AL	200	900/800	158	75

Note: These models are used as single speed motors and are normally connected to run on the low speed winding. When the condensing unit is used in high ambient temperatures the motors can be connected to run on high speed for extra duty.

Evaporator fan motors, endshield & foot mount



48 - 4 - 34AG



★ 48 - 4 - 90AG
Replaced by 35-4-90AG



48 - 4 - 90AB - FT

Model No.	Watts Out	Run Speed	Rotation	Body Length	Shaft Ø & Length	Mounting	S.C.H	Lead Length
48-4-34AG	34	1300	ACW	109	12.7 x 11.5	3 x TH NDE *	-	150
35-4-90AG	90	1200	ACW	115	12.7 x 50	3 x TH NDE *	-	200
48-4-90AB-FT	90	1420	ACW	117	12.7 x 95	FOOT **	76	305

* 3 x M6 tapped holes in non drive end endshield on 113mm P.C.D.

** For foot mount dimensions see 48 range bolt on foot - page 88

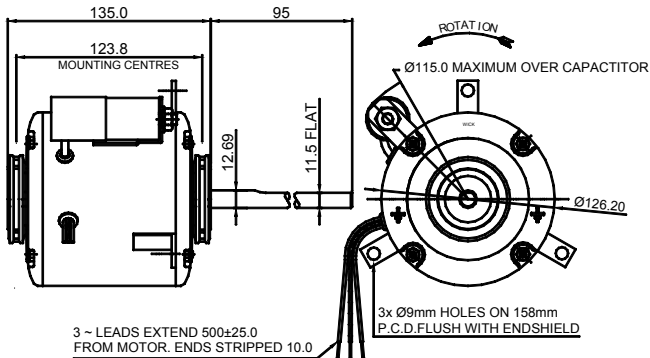
Tel: +44 (0)1243 869905 Fax: +44 (0)1243 810799 E-mail: sales@remco.co.uk Web: www.remco.co.uk

48 RANGE MOTORS

Single shaft, single speed, fan motors

Model No.	Watts Out	Run Speed	Rot. (S.E.)	Shaft \varnothing & Length	Body Length	Mount	Shaft. C.H.	Base Style	Lead Length
48-4-65A1	65	1300	ACW	7.99x70	138	Res. Base	76.2	A	340
48-4-70C	70	1350	CW	9.52x50	138	Res. Base	67	B	500
* 48-4-100CHV	100	1400	CW	11.1x76	138	Res. Base	76.2	A	C.Box
48-6-35ATE	35	900	ACW	12.7x176	138	Res. Base	67	B	1220
48-6-35CTE	35	900	CW	12.7x176	138	Res. Base	67	B	1220
48-6-50CTE	50	900	CW	12.7x176	132	Res. Base	76.2	A	820
48-6-80CTE	80	900	CW	12.7x95	158	4 ext bolts	-	-	1500

- * Motor model 48-4-100CHV is designed for use on a 380/440V single phase supply. It is normally connected between 2 phases of a three phase supply.

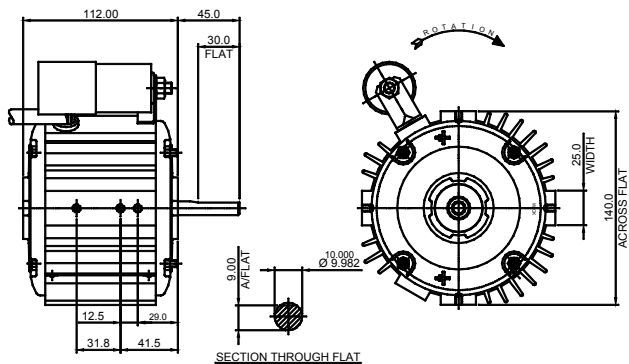


Model No.	Watts Out	Run Speed	Rotation (S.E.)	Shaft \varnothing & Length	Body Length	Mount	Lead Length
48-4-75AL	75	1320	ACW	12.7x95	138	3 LUG	500

Tel: +44 (0)1243 869905 Fax: +44 (0)1243 810799 E-mail: sales@remco.co.uk Web: www.remco.co.uk

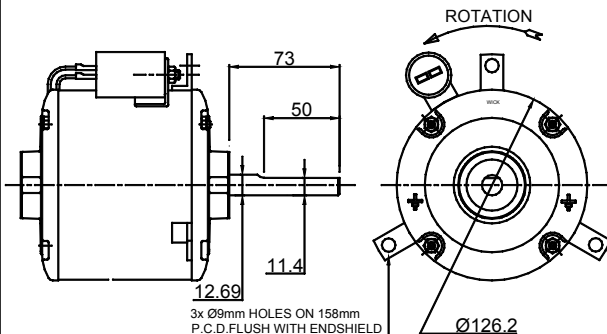
48 RANGE MOTORS

Single shaft, single speed, fan motors



48-4-85CM Condenser fan motor

Model No.	Watts Out	Run Speed	Rotation (S.E.)	Shaft Ø & Length	Body Length	Mount	Lead Length
48-4-85CM	85	1350	CW	10 x 45	112	4 PAD	750
48-4-100CL	100	1350	CW	12.7 x 76	131	3 LUG	610

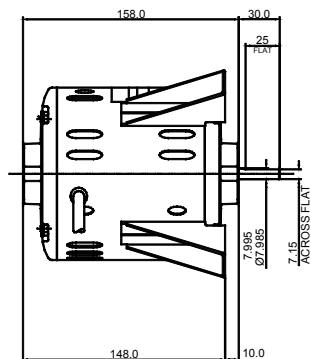


48-4-100CL

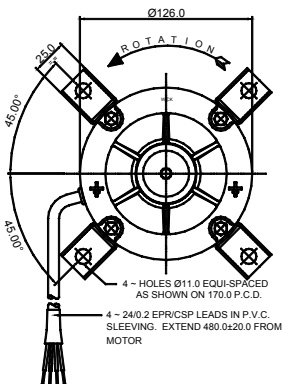
Tel: +44 (0)1243 869905 Fax: +44 (0)1243 810799 E-mail: sales@remco.co.uk Web: www.remco.co.uk

48 RANGE MOTORS

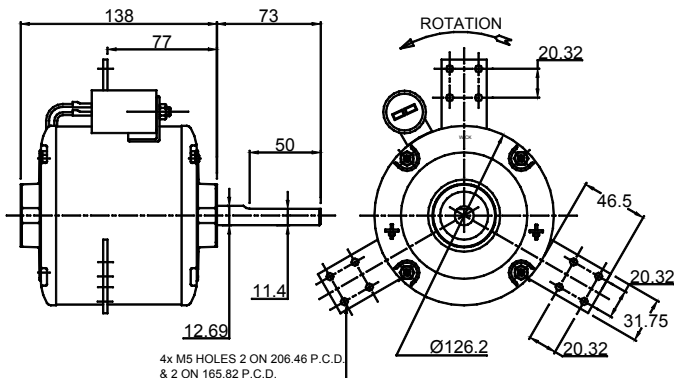
Single shaft, single speed, fan motors



48-4-200A



Model No.	Watts Out	Run Speed	Rotation (S.E.)	Shaft Ø & Length	Body Length	Mount	Lead Length
48-4-200A	200	200	ACW	7.99 x 30	158	4 LUG	480
48-6-20AW	20	900	ACW	12.7 x 73	139	3 LUG	915
48-6-20CW	20	900	CW	12.7 x 73	139	3 LUG	915

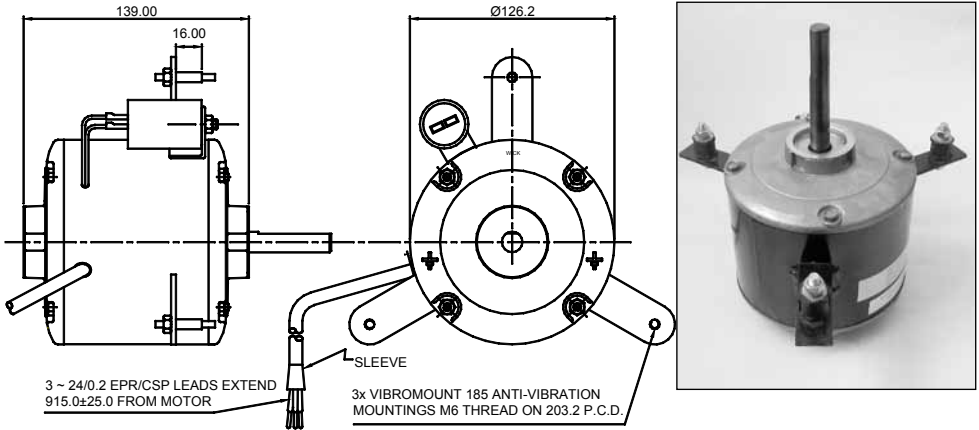


48-6-20AW / CW replaces Croydon CR32/H6 motor

Tel: +44 (0)1243 869905 Fax: +44 (0)1243 810799 E-mail: sales@remco.co.uk Web: www.remco.co.uk

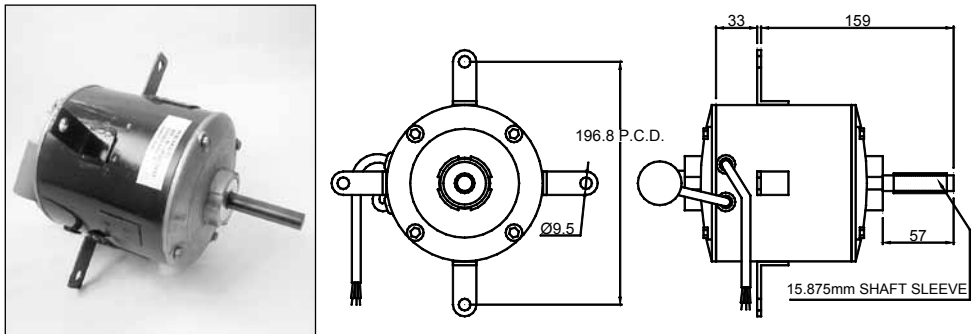
48 RANGE MOTORS

Single shaft, single speed, fan motors



48-6-37AW / CW replaces Croydon CR37/F6 motor

Model No.	Watts Out	Run Speed	Rotation (S.E.)	Shaft Ø & Length	Body Length	Mount	Lead Length
48-6-37AW	37	900	ACW	12.7 x 75	139	3 LUG	915
48-6-37CW	37	900	CW	12.7 x 75	139	3 LUG	915
48-6-65CBU	65	900	CW	15.9 x 75	158	4 LUG	1500

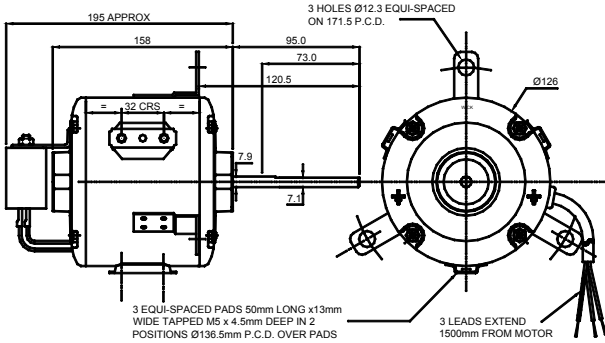


48-6-65CBU replaces Bull motor WS1 226829

Tel: +44 (0)1243 869905 Fax: +44 (0)1243 810799 E-mail: sales@remco.co.uk Web: www.remco.co.uk

48 RANGE MOTORS

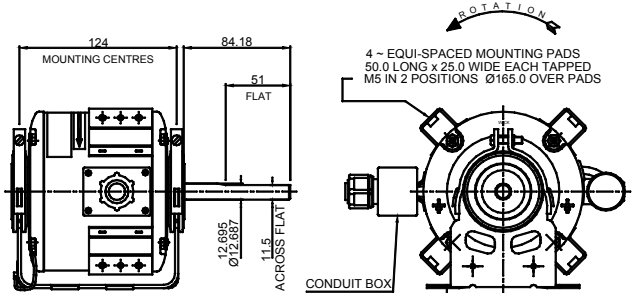
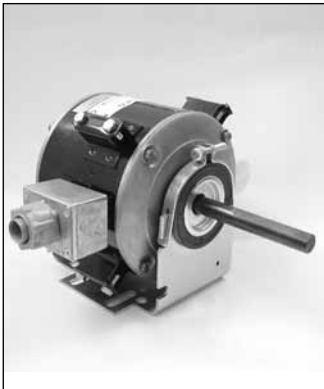
Single shaft, single speed, fan motors



48-6-125CTE

Model No.	Watts Out	Run Speed	Rot. (S.E.)	Shaft Ø & Length	Body Length	Mount	Base Style	Lead Length
48-6-125CTE	125	900	CW	12.7 x 95	158	3 LUG & 3 PAD	-	1500
48-4-90AR	90	1420	ACW	12.7 x 84	135	4 PAD & RES. BASE	A	TERMBOX
48-4-80RB1PR	180	1400	ACW	15.9 x 77	186	4 PAD & RES. BASE	K	380
* 48-4-80RB3PR	180	1400	REV	15.9 x 77	186	4 PAD & RES. BASE	K	380
* 48-4-50RB1PR	250	1400	ACW	15.9 x 77	186	4 PAD & RES. BASE	K	380
* 48-4-50RB3PR	250	1400	REV	15.9 x 77	186	4 PAD & RES. BASE	K	380

* Three phase models.



48-4-90AR Shown with terminal box
48-4-180RB1PR, 48-4-180RB3PR, 48-4-250RB1PR & 48-4-250RB3PR have flying leads

Note: All 48 Range motor models can be modified by the addition of non standard mounting lugs & pads.

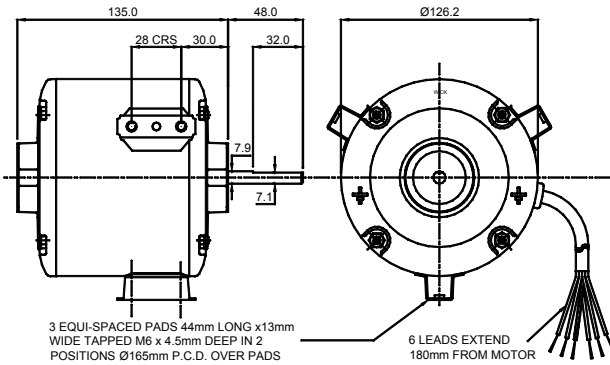
Motors can be mounted on various styles and heights of resilient mounting bases or welded mounting feet.

For further information see modification section - page 94

Tel: +44 (0)1243 869905 Fax: +44 (0)1243 810799 E-mail: sales@remco.co.uk Web: www.remco.co.uk

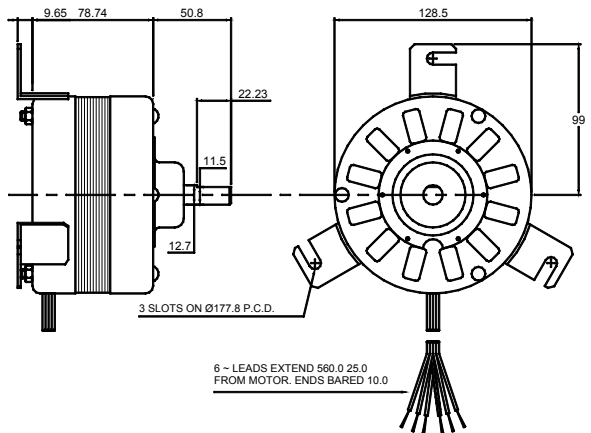
48 RANGE MOTORS

Single shaft, multi speed, fan motors, radial mount



48-4-75/3A

Model No.	Watts Out	Run Speed (Hz)	No of Speeds	Shaft Ø & Length	Body Length	Mtg.	Lead Length	Rot.
48-4-75/3A	75	1315	3	7.93x45	135	3 PAD	180	ACW
48-4-60/3CL	60	1250	3	12.7x52	79	3 LUG	305	CW

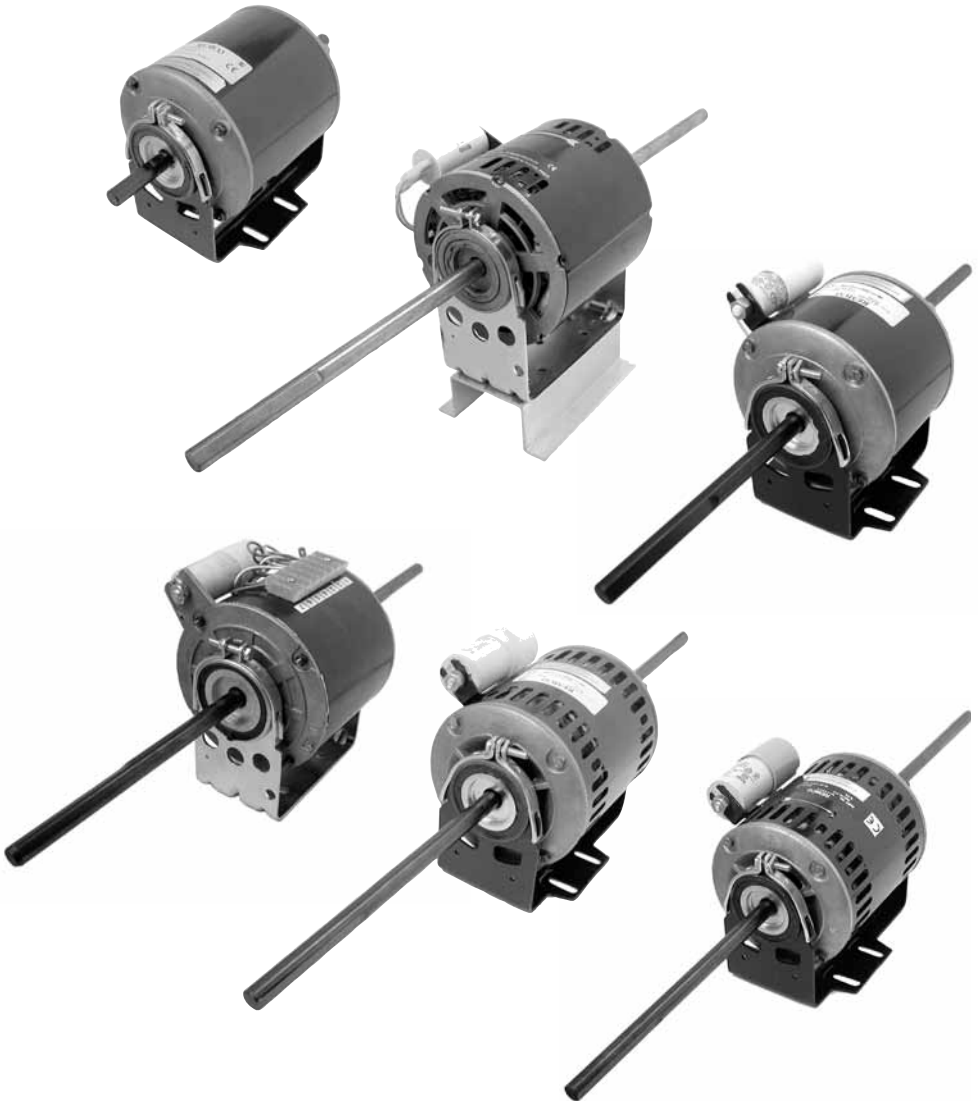


48-4-60/3CL

Tel: +44 (0)1243 869905 Fax: +44 (0)1243 810799 E-mail: sales@remco.co.uk Web: www.remco.co.uk

48 RANGE MOTORS

Fan coil motors, double shaft, multi speed

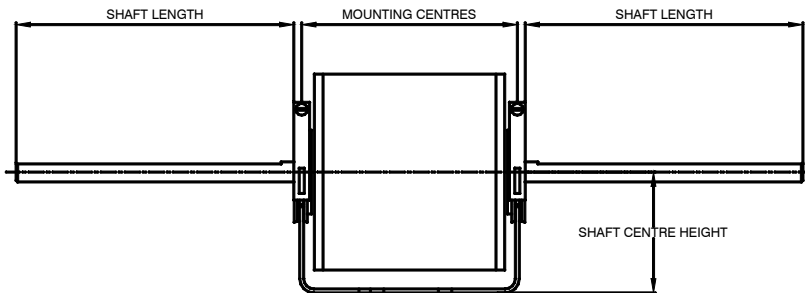


Notes: All models can be supplied as single shaft motors with either CW or ACW rotation viewed from the shaft end. All models can be mounted on different styles of resilient base - see pages 86 - 88

Tel: +44 (0)1243 869905 **Fax:** +44 (0)1243 810799 **E-mail:** sales@remco.co.uk **Web:** www.remco.co.uk

48 RANGE MOTORS

Fan coil motors, double shaft, multi speed



Model No.	Watts Out	Run Speed (Hz)	No. of Speeds	Shaft Ø & Length	Mtg Centres	S.C.H.	Base Style	Lead Length
48-4-24/4DS	24	1150	4	12.7x161	124	89	A	610
48-4-35/3DS	35	1300	3	12.7x181	124	76.2	A	1000
48-4-35/3DS1	35	1300	3	9.53x244	124	76.2	A	610
48-4-40/3DS**	40	1110	3	12.7x181	124	95	C	TERM
48-4-55/3DS	55	1300	3	12.7x237	124	76.2	A	1220
48-4-60/3DS	60	1200	3	12.7x181	124	95	C	TERM
48-4-80/3DS	80	1300	3	12.7x216	124	76.2	A	1000
48-4-100/3DS	100	1300	3	12.7x215	124	89	H	1000
48-4-100/6DS	100	1300	6	12.7x215	124	89	H	1000
48-4-100/6DSL	100	1300	6	12.7x250	124	89	H	TERM
48-4-120/3DS	120	1300	3	12.7x46	149	89	A	810
48-4-125/3DS	125	1300	3	12.7x231	136	89	A	500
48-4-160/3DS	160	1320	3	12.7x195	136	76.2	A	700
48-4-180/3DS	180	1300	3	12.7x211	135	89	A	1000
48-4-180/6DS	180	1300	6	12.7x212	135	140	G	1000
48-4-210/3DS	210	1300	3	12.7x212	135	140	G	1000
48-4-250/3DS	250	1300	3	12.7x224	149	89	A	500
48-4-370/3DS	370	1300	3	12.7x224	162	89	A	500
48-4-370/5DS	370	1300	5	12.7x224	162	89	A	500
48-6-20/3DS	20	900	3	12.7x237	124	76.2	A	1220
48-6-35/2DS	35	900	2	12.7x200	124	76.2	A	1220
48-6-35/2DSTE	35	900	2	12.7x200	124	76.2	A	1220
48-6-60/2DS	60	900	2	12.7x185	124	76.2	A	1220
48-6-85/3DS	85	900	3	12.7x244	124	76.2	A	1220
48-6-125/3DS	125	900	3	12.7x244	149	89	A	500
48-6-250/3DS	250	900	3	12.7x218	162	90	A	500

For dimensions of resilient mounting bases refer to pages 86 - 88

Notes: All models can be supplied as single shaft motors with either CW or ACW rotation viewed from the shaft end. All models can be mounted on different styles of resilient base - see pages 86 - 88

Fan coil motors, single shaft, multi speed, ACW rotation shaft end

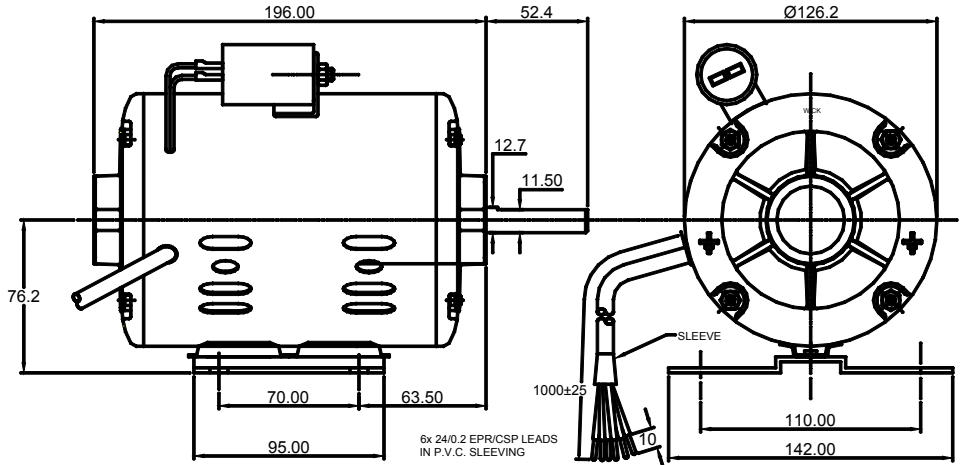
Model No.	Watts Out	Run Speed (Hz)	No. of Speeds	Shaft Ø & Length	Mtg Centres	S.C.H.	Base Style	Lead Length
48-4-13/4A	13	1300	4	12.7x162	127	89	A	610
48-4-15/3A	15	1300	3	12.7x172	124	89	A	1220
48-4-20/3A	20	1300	3	12.7x172	124	89	A	1220

Tel: +44 (0)1243 869905 Fax: +44 (0)1243 810799 E-mail: sales@remco.co.uk Web: www.remco.co.uk

48 RANGE MOTORS

Mechanical Duty Motors

Split phase & cap start induction run, 4 pole, ball bearing



Note: Drawing shows cap start version

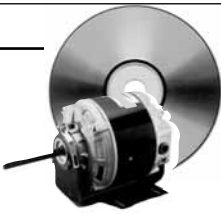
Model No.	Watts Out	Run Speed	Type
48-4-180MRB	180	1425	SPLIT PHASE
48-4-250MRB	250	1425	SPLIT PHASE
48-4-180MRB-CS	180	1425	CAP START IND. RUN
48-4-250MRB-CS	250	1425	CAP START IND. RUN



Note: These models can be supplied on resilient base style E - see page 86

Tel: +44 (0)1243 869905 Fax: +44 (0)1243 810799 E-mail: sales@remco.co.uk Web: www.remco.co.uk

60 RANGE MOTORS

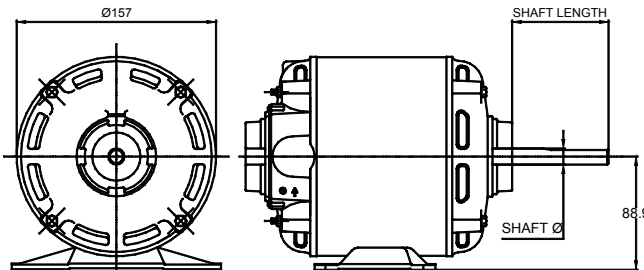
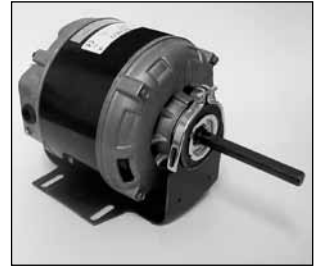
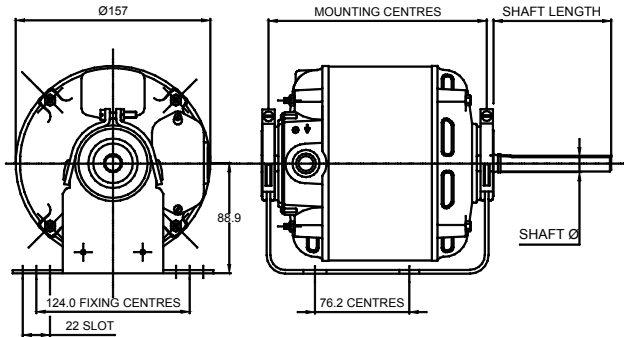


Full specifications and outline drawings can be found in our new catalogue on cd-rom available soon, or visit our website

The Remco 60 Range (B56) is produced in 2, 4, 6 and 8 pole versions (that is with run speeds of around 2800, 1400, 900 and 720 rpm) and for single phase and 3 phase supplies. The power outputs range from around 90 to 1400 watts (1/8 to 2 HP)

Note: 60 range motors can be mounted in many different ways, resilient base, welded foot, flanged end-shield and radial pads are the most popular.

Non. standard pads & lug mounts can be supplied to match old or obsolete models - see page 94



Split phase, 4 pole 1425 rpm, ball or sleeve bearing, resilient base or foot, mounted mechanical duty, drip proof enclosure

Model No.	Watts Out	Bearing Type	Rotation (D.E)	Shaft Ø & Length	Mounting Centres
60-4-125MRTE	125	S	REV	12.7 x 95	176
60-4-180MR	180	S	REV	12.7 x 95	176
60-4-180MRB	180	B	REV	15.9 x 52	176
60-4-250MR	250	S	REV	12.7 x 95	176
60-4-250MRB	250	B	REV	15.9 x 52	187
60-4-370MR	370	S	REV	12.7 x 95	189
60-4-370MRB	370	B	REV	15.9 x 52	200

60 RANGE MOTORS



Cap start, 4 pole, 1425 rpm, resilient base or foot mounted mechanical duty, drip proof enclosure

Model No.	Watts Out	Bearing Type	Rotation (D.E)	Shaft Ø & Length	Mounting Centres
60-4-370MR-CS	370	S	REV	12.7 x 95	189
60-4-370MRB-CS	370	B	REV	15.9 x 52	200
60-4-550MR-CS	550	S	REV	15.9 x 95	214
60-4-750MRB-CSCR	750	B	REV	15.9x 52	214

Split phase, 4 pole, dual voltage, 120/240V, mechanical duty, resilient base or foot mounted

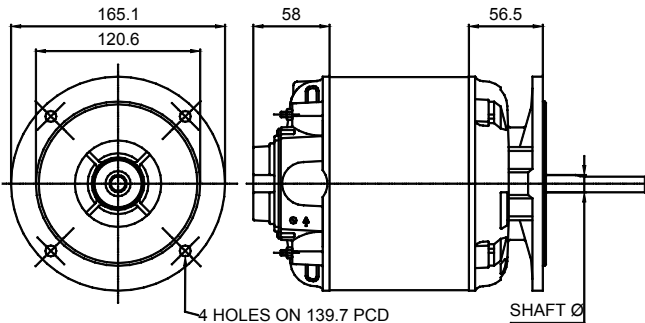
Model No.	Watts Out	Bearing Type	Rotation (D.E)	Shaft Ø & Length	Mounting Centres
60-4-250MRDV	250	S	REV	12.7 x 95	176

Split phase, 6 pole, 900 rpm, drip proof, mechanical duty, resilient base or foot mounted

Model No.	Watts Out	Bearing Type	Rotation (D.E)	Shaft Ø & Length	Mounting Centres
60-6-250MR	250	S	REV	15.9 x 101	214

NOTE: All the above motors can be supplied on a welded foot mount or resilient mounting base for the prices shown.

All can be fitted with a standard B56 flange endshield.



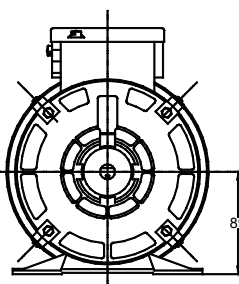
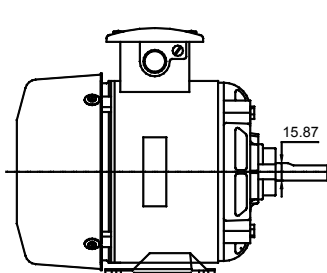


60 RANGE MOTORS

3 phase, 4 pole 1425 rpm, resilient base or foot mounted, mechanical duty, drip proof

Model No.	Watts Out	Bearing Type	Rotation (D.E)	Shaft Ø & Length	Mounting Centres
60-4-250MRB-3P	250	B	REV	15.9 x 95	176
60-4-370MRB-3P	370	B	REV	15.9 x 95	189
60-4-550MRB-3P	550	B	REV	15.9 x 95	214
60-4-750MRB-3P	750	B	REV	15.9 x 95	223

NOTE: The above motors can be supplied on a welded foot mount or resilient mounting base for the prices shown.



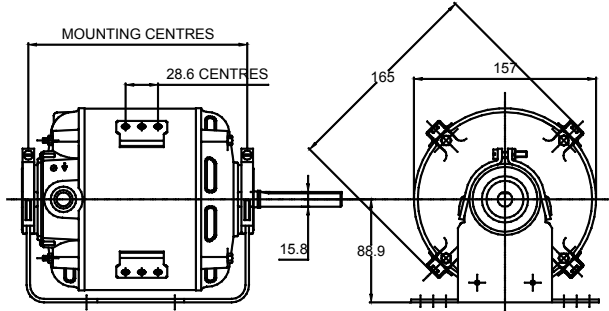
Totally enclosed fan cooled, foot mounted mechanical duty motor

Model No.	Watts Out	Speed	Phase	Rotation (D.E)	Body Length
60-2-370TEFC-CS	370	2850	1	REV	222.0
60-2-750TEFC-CS	750	2850	1	REV	260.0
60-2-370TEFC-3P	370	2850	3	REV	222.0
60-2-750TEFC-3P	750	2850	3	REV	260.0
60-4-180TEFC	180	1425	1	REV	210.0
60-4-250TEFC	250	1425	1	REV	222.0
60-4-370TEFC-CS	370	1425	1	REV	235.0
60-4-750TEFC-CSCR	750	1425	1	REV	248.0
60-4-370TEFC-3P	370	1425	3	REV	222.0
60-4-750TEFC-3P	750	1425	3	REV	260.0

NOTE: The shaft length on model no. 60-4-750 TEFC-CSCR is 51mm

All the above motors are supplied on a welded foot mount.

60 RANGE MOTORS

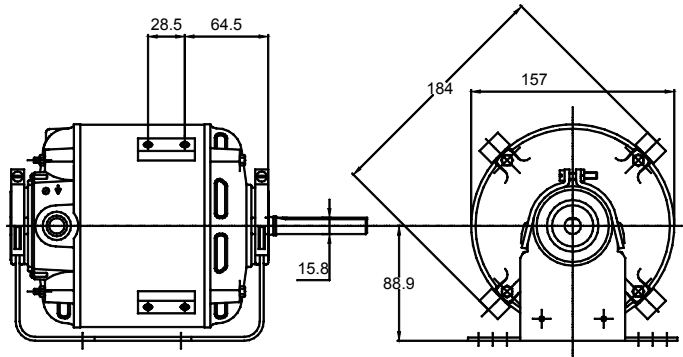


NOTE: Mounts on resilient base or 4 radial pads.

Evaporator fan motors for cold rooms, low temp bearings, shaft seals

Model No.	Watts Out	Speed	Phase	Bearing Type	Rotation (D.E)	Shaft Ø & Length	Mounting Centres
60-4-180RB1PR	180	1425	1	B	REV	15.87 x 70	189
60-4-250RB1PR	250	1425	1	B	REV	15.87 x 70	189
60-4-550RB1PR	550	1425	1	B	REV	15.87 x 57	227
60-4-180RB3PR	180	1425	3	B	REV	15.87 x 70	176
60-4-250RB3PR	250	1425	3	B	REV	15.87 x 70	176
60-4-550RB3PR	550	1425	3	B	REV	15.87 x 51	214

NOTE: Mounts on resilient base or 4 radial pads.



Evaporator fan motors for cold rooms, low temp bearings, shaft seals

Model No.	Watts Out	Speed	Phase	Bearing Type	Rotation (D.E)	Shaft Ø & Length
60-4-250RB1HPR	250	1425	1	B	REV	15.87 x 76
60-4-550RB1HPR	550	1425	1	B	REV	15.87 x 51
60-4-250RB3HPR	250	1425	3	B	REV	15.87 x 76
60-4-550RB3HPR	550	1425	3	B	REV	15.87 x 51

Tel: +44 (0)1243 869905 Fax: +44 (0)1243 810799 E-mail: sales@remco.co.uk Web: www.remco.co.uk



60 RANGE MOTORS

PSC Fan motors, airstream rated, axial or centrifugal type

Model No.	Watts Out	Speed	Type	Enclosure	Bearing Type	Rotation (D.E)	Shaft Ø & Length	Mountings
60-4-250R	250	1400	PSC	DP	B	REV	15.9 x 95	RES BASE
60-4-370R	370	1400	PSC	DP	B	REV	15.9 x 95	RES BASE
60-4-550R	550	1400	PSC	DP	B	REV	15.9 x 95	RES BASE
60-4-550AL	550	1370	PSC	TE	B	ACW	SPECIAL	3 LUGS
60-4-550PAL	550	1370	PSC	TE	B	ACW	SPECIAL	3 LUGS
60-6-120R	120	900	PSC	TE	S	REV	15.9 x 100	RES BASE
60-6-250R	250	900	PSC	TE	S	REV	15.9 x 100	RES BASE
60-6-550R	550	900	PSC	TE	B	REV	15.9 x 94	RES BASE
60-6-120-3P	120	900	3P	TE	S	REV	15.9 x 100	RES BASE
60-6-250-3P	250	900	3P	TE	S	REV	15.9 x 100	RES BASE
60-6-550RB3P	550	900	3P	TE	B	REV	15.9 x 94	RES BASE
60-8-90R	90	720	PSC	TE	S	REV	15.9 x 100	RES BASE
60-8-120-3P	120	720	3P	TE	S	REV	15.9 x 100	RES BASE



The 60-4-550PAL (above) is similar to the 60-4-550AL (right) apart from the pump attachment at the rear end. See photos.

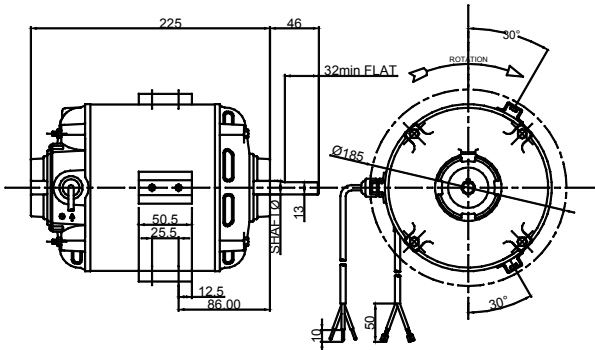
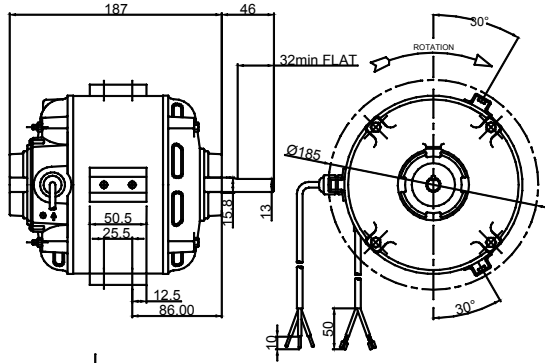


**NOTE: All resilient base mount motors can be supplied with alternative welded foot mount for the same price.
Models 60-4-550AL & 60-4-550PAL are special poultry house motors, see photographs**

60 RANGE MOTORS



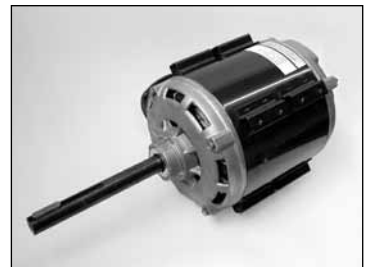
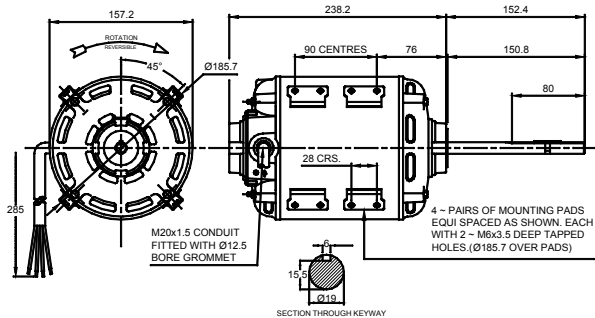
60-2-375BC



60-2-1100BC

NOTE: Both models 60-2-375BC & 60-2-1100BC are used in "Bouncy Castle" fan drives. Matching fans available - see page 77

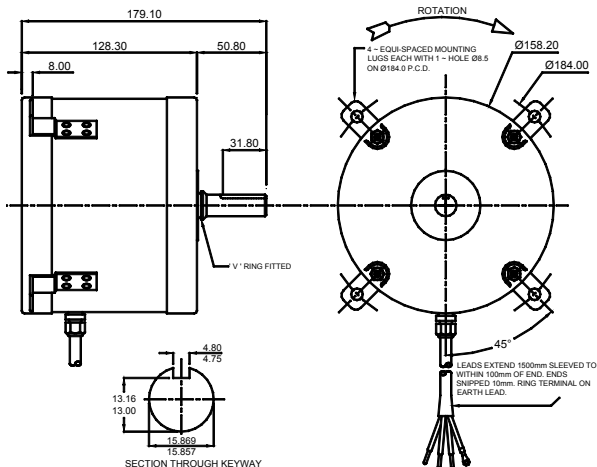
Model No.	Watts Out	Speed	Type	Enclosure	Bearing Type	Rotation (D.E)	Mountings
60-2-375BC	375	2800	PSC	TE	S	CW	3 PAD
60-2-1100BC	1100	2800	PSC	TE	S	CW	3 PAD
60-4-1400C	1400	1250	PSC	VENT	B	REV	8 PAD



NOTE: 60-4-1400C used in centrifugal fan blower for commercial heating application

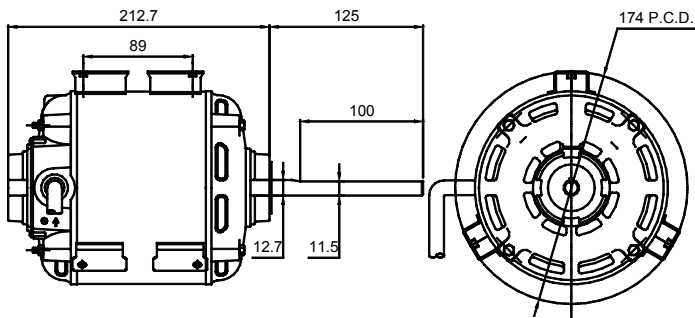
Tel: +44 (0)1243 869905 Fax: +44 (0)1243 810799 E-mail: sales@remco.co.uk Web: www.remco.co.uk

60 RANGE MOTORS



NOTE: 60-6-200C used as axial fan drive in air conditioning application

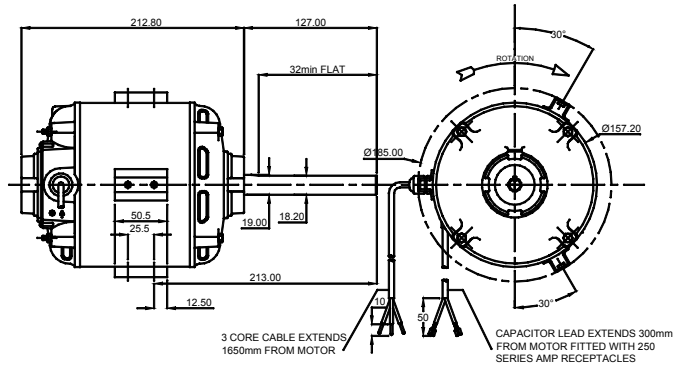
Model No.	Watts Out	Speed	Type	Enclosure	Bearing Type	Rotation (D.E)	Shaft Ø & Length	Mountings
60-6-200C	200	930	PSC	TE	B	CW	15.9 x 50	4 LUGS
60-6-335RTE	335	910	PSC	TE	S	REV	12.7 x 125	6 PADS



NOTE: 60-6-335RTE used in centrifugal fan blower for flue dilution application

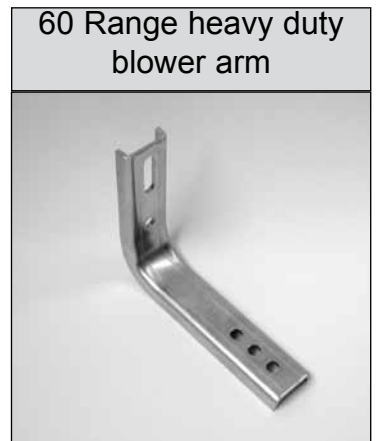
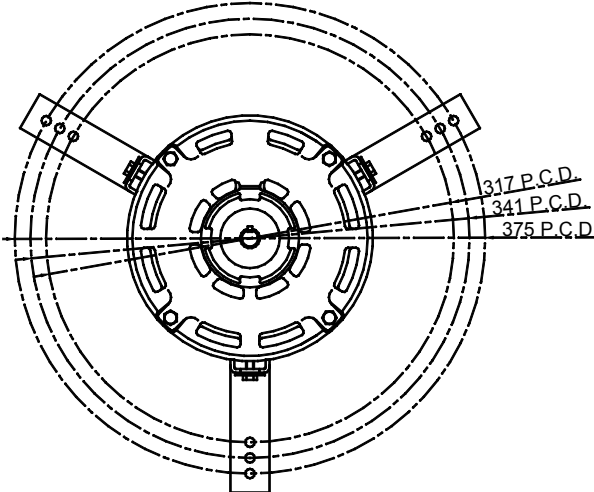
60 RANGE MOTORS

PSC Fan motors, airstream rated, axial or centrifugal type



Both models used in centrifugal fan drives for commercial heating application.

Model No.	Watts Out	Speed	Type	Enclosure	Bearing Type	Rotation (D.E)	Shaft Ø & Length	Mountings
60-6-560C	560	915	PSC	VENT	B	CW	19 x 126	3 PADS
60-6-990R	990	915	PSC	VENT	B	REV	19 x 126	3 PADS

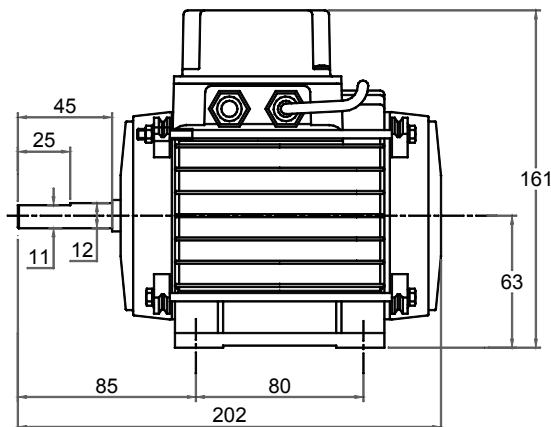


60 Range motors supplied with either 3 or 4 radial mounting pads can be used with 60 Range heavy duty blower mounting which are used to mount the motor into the centrifugal fan casing.

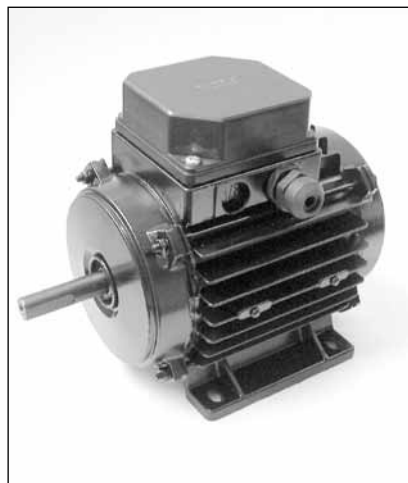
Tel: +44 (0)1243 869905 Fax: +44 (0)1243 810799 E-mail: sales@remco.co.uk Web: www.remco.co.uk

63 & 71 RANGE MOTORS

Evaporator fan motors

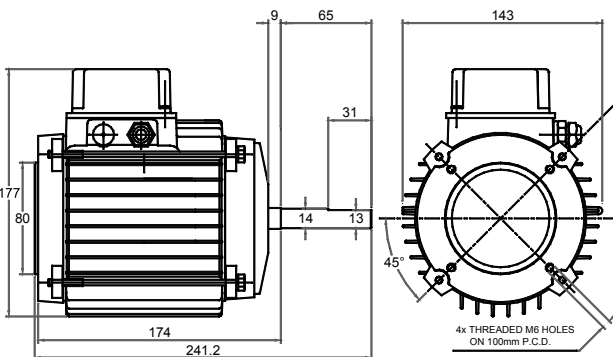


63-4-200AB & 63-4-200-3PB



Model No.	Watts Out	Run Speed	Rotation (S.E.)	Type	Mount
63-4-200AB	200	1400	ACW	PSC	FOOT
63-4-200-3PB	200	1400	REV	THREE PHASE	FOOT
71-4-370-3PB	370	1400	REV	THREE PHASE	FLANGE

Note: 63-4-200AB is supplied with capacitor mounted on body



71-4-370-3PB

Tel: +44 (0)1243 869905 Fax: +44 (0)1243 810799 E-mail: sales@remco.co.uk Web: www.remco.co.uk

OIL BURNER MOTORS

These model replace the majority of commonly found O.E.M. motors in oil & gas fired burner applications. Outputs range from 70 - 750 watts utilising 35, 60, & 71 range models with both 2 pole (2850rpm), 4 pole (1425rpm), single & three phase versions available.

Motors fitted with rear pump hub, supplied with pump coupling

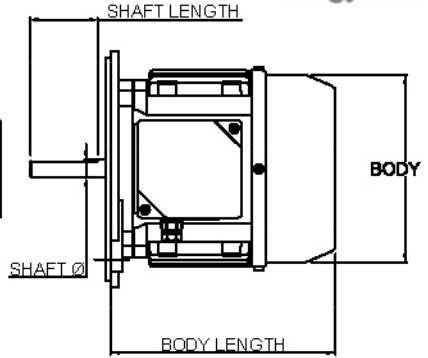
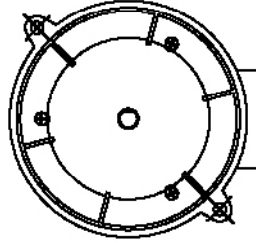
Model No.	Watts Out	Speed	Type	Rotation (D.E)	Flange	Body Length	Shaft Ø & Length
35-2-70AOB/P	70	2750	PSC	ACW	A	92	8 x 20
35-2-90AOB/P	90	2760	PSC	ACW	A	102	12.7 x 24
35-2-70C/P	70	2750	PSC	CW	TH	116	12.7 x 24
35-2-75C/P	75	2750	PSC	CW	TH	123	12.7 x 24
35-2-90RL/P	90	2750	PSC	REV	F	112	12.7x 20



Pump hub is machined to an inner dia of 32mm and the pump is secured via 3x M5 bolts spaced at 120° intervals around the hub periphery.

Please contact us with burner type for a matched replacement.

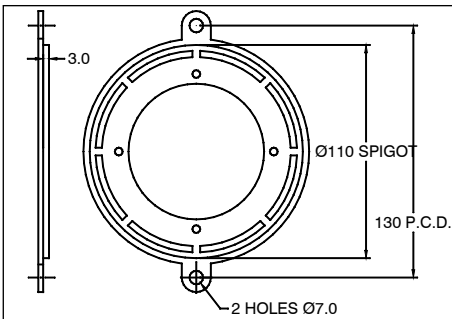
OIL & GAS BURNER MOTORS



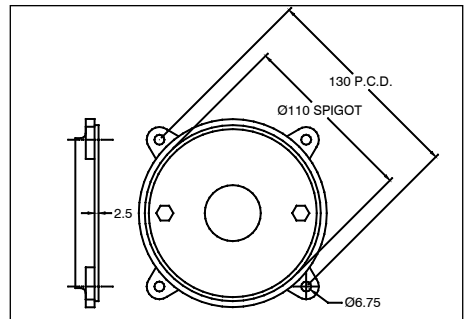
Motors without pump hub

Model No.	Watts Out	Speed	Type	Rotation (D.E)	Flange	Body Ø	Body Length	Shaft Ø & Length
35-2-75COB	75	2750	PSC	CW	A	94	96	8 x 30
35-2-75COB★	75	2750	PSC	CW	B	94	120	8 x 51
35-2-75HOB	75	2750	PSC	ACW	B	94	120	10 x 61
35-2-90COB	90	2760	PSC	CW	A	94	96	8 x 50
35-2-90COB★	90	2760	PSC	CW	C	94	105	8 x 28
35-2-150COB	150	2750	PSC	CW	A	94	121	8 x 51
35-2-150MOB	150	2800	PSC	CW	D	94	116	12.7 x 30.0
35-2-250-OB	250	2750	PSC	REV	E	94	145	12.7 x 51.0
71-2-250-OB3P	250	2850	3PHASE	REV	E	141	168	12.7 x 54.0
60-2-125-OB	125	2850	SPLIT	REV	E	158	178	12.7 x 57.5
60-4-180-OB3P	180	1425	SPLIT	REV	E	158	178	15.9 x 57.0
60-4-185-EOB	185	1425	SPLIT	REV	E	158	190	12.7 x 57.5
60-2-250-OB	250	2850	SPLIT	REV	E	158	215	12.7 x 57.5
60-4-370-OB3P	370	1425	3PHASE	REV	E	158	203	12.7 x 63.5
60-4-370-OB3P	370	1425	CAP ST	REV	E	158	215	12.7 x 57.5
71-2-550-OB3P	550	2850	3PHASE	REV	E	141	164	12.7 x 52.0
60-2-550-OB3P	550	2850	CAP ST	REV	E	158	215	12.7 x 63.5
71-2-750-OB3P	750	2850	3PHASE	REV	E	141	194	12.7 x 52.0

Flange type and dimensions



Flange type A

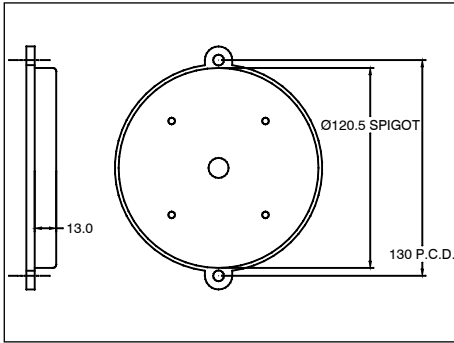


Flange type B

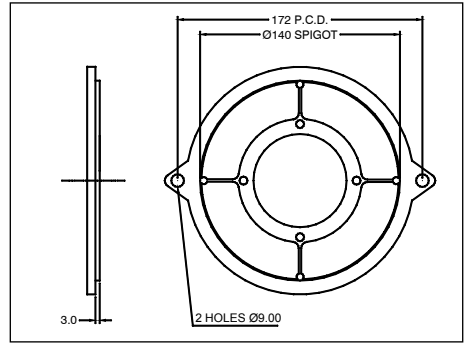
Tel: +44 (0)1243 869905 Fax: +44 (0)1243 810799 E-mail: sales@remco.co.uk Web: www.remco.co.uk

OIL BURNER MOTORS

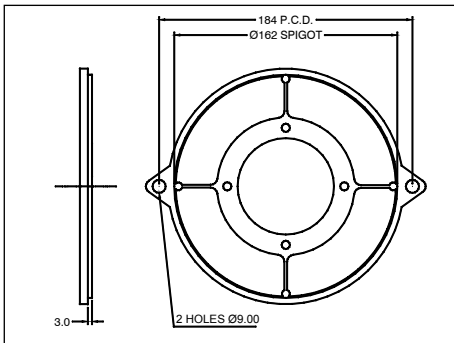
Flange type and dimensions



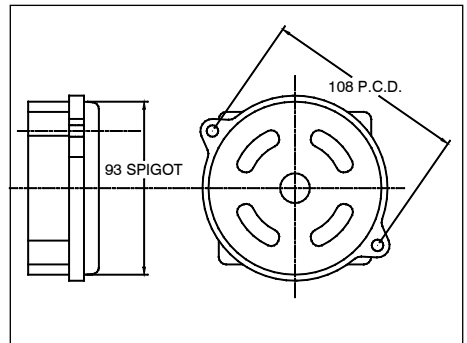
Flange type C



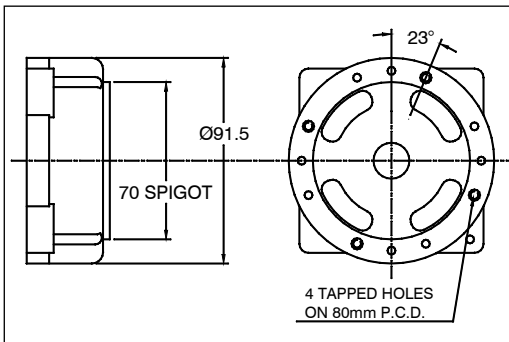
Flange type D



Flange type E



Flange type F

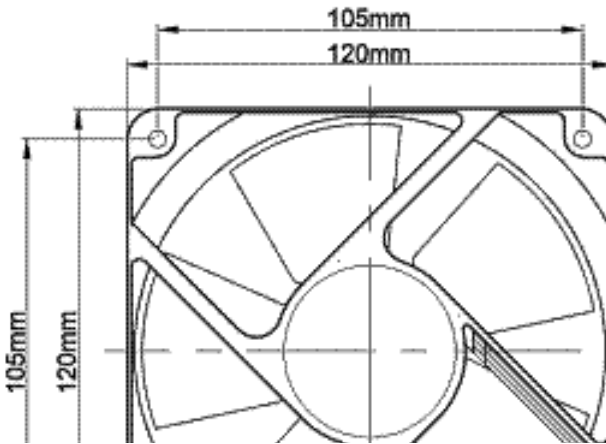
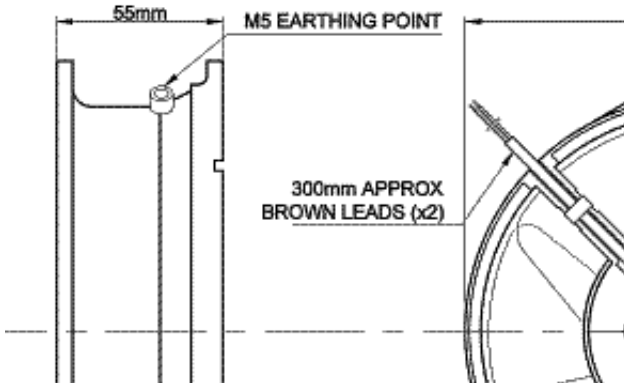


Flange type TH





AXIAL AC & DC FAN UNITS



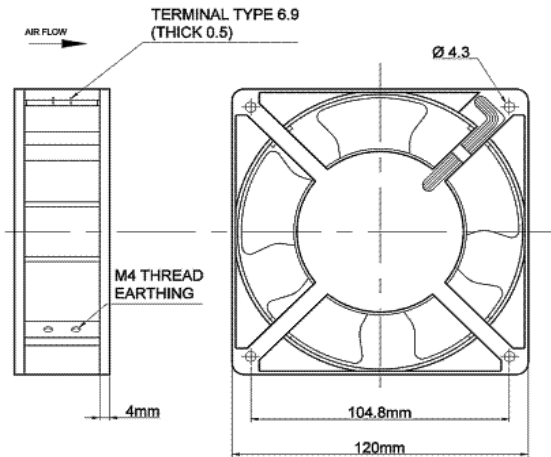
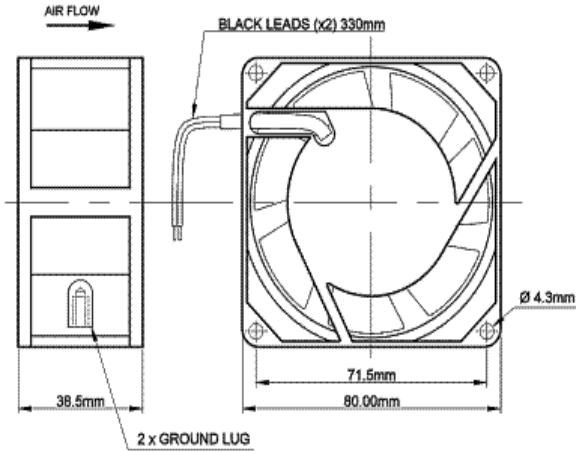
Supply	Watts Input	Current (mA)	Speed
15055ACL - FISHEYE 150mm FAN 55mm DEEP			
220VAC / 50-60Hz	44-46	280-300	2570 / 3100
12032DCL - 120mm SQUARE 32mm DEEP / 24V			
24VDC	4.8	200	2450

L = Flying leads / T = Terminals

For more detailed information on these units call our technical support.

Tel: +44 (0)1243 869905 **Fax:** +44 (0)1243 810799 **E-mail:** sales@remco.co.uk **Web:** www.remco.co.uk

AXIAL AC FAN UNITS



Supply	Watts Input	Current (mA)	Speed
8038ACL - 80mm SQUARE 38mm DEEP			
220/240VAC / 50-60Hz	12	0.06 / 0.07	2300 / 2700
12038ACT & 12038ACL - 120mm x 120mm x 38mm			
220/240VAC / 50-60Hz	19	0.1 / 0.13	2550 / 2900

L = Flying leads / T = Terminals

For more detailed information on these units call our technical support.

Tel: +44 (0)1243 869905 Fax: +44 (0)1243 810799 E-mail: sales@remco.co.uk Web: www.remco.co.uk



MULTIFIT MOTORS

REMCO Multifit Refrigeration Motors are equipped with all 5 commonly found mounting methods, as shown in the diagram. Each motor is individually packed to survive van stock usage.

Five power outputs cover all popular applications. For your engineers' guidance, motor boxes are marked with the maximum fan diameter & pitch angle that the motor can safely drive.



5 WATT



10 WATT



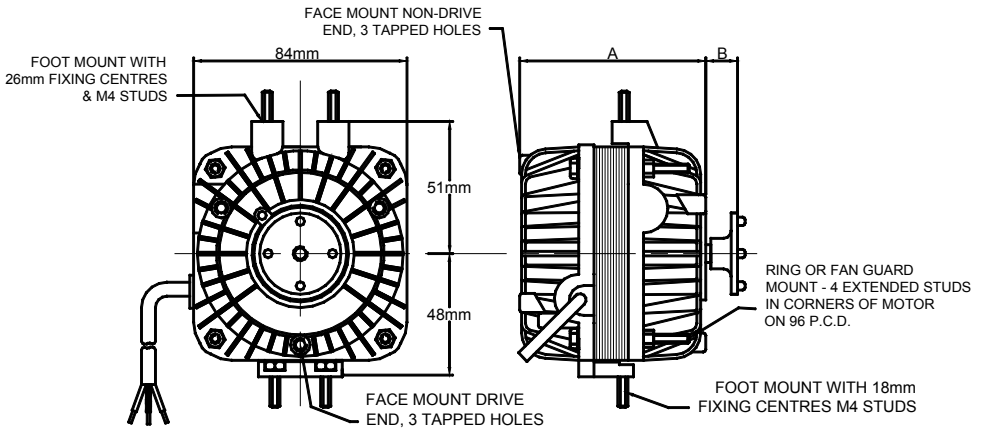
18 WATT



25 WATT



34 WATT



Stock No.	Current	A	B
5 watt	0.2A	67	12
10 watt (replaces 7 & 10)	0.23A	74	13
18 watt (replaces 16 & 18)	0.52A	84	12
25 watt (replaces 20 & 25)	0.68A	94	19
34 watt	0.87A	99	19

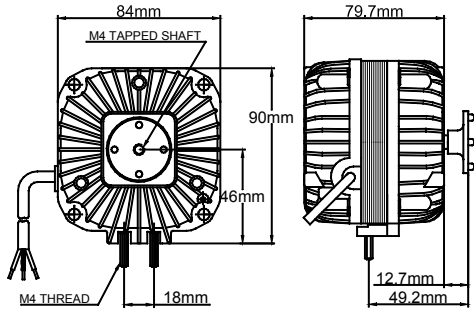
Notes: Dimension 'B' can be extended on any model for a standard cost of £
All models 220/240V, 50Hz.

Tel: +44 (0)1243 869905 Fax: +44 (0)1243 810799 E-mail: sales@remco.co.uk Web: www.remco.co.uk

SQUARE FAN MOTORS

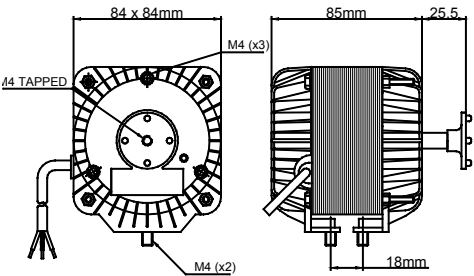
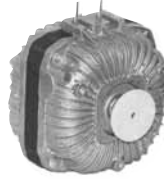


FOOT / FACE MOUNTING MOTORS



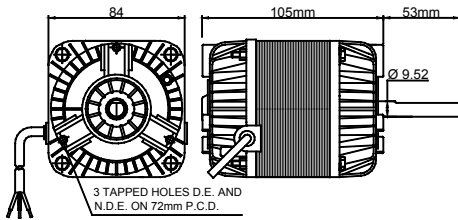
EM-4-5AFBK18

Supply • 230/240VAC 50/60Hz
Watts Input • 32
Watts Output • 5
Current (A) • 0.2
Speed • 1300/1550 RPM
Rotation • ACW



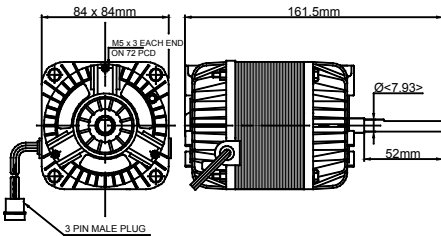
EM-4-25AFBK18

Supply • 230/240VAC 50/60Hz
Watts Input • 105
Watts Output • 25
Current (A) • 0.67A
Speed • 1300 RPM
Rotation • ACW



EM-4-25A

Supply • 230/240VAC 50/60Hz
Watts Input • 95
Watts Output • 25
Current (A) • 0.7
Speed • 1300 RPM
Rotation • ACW



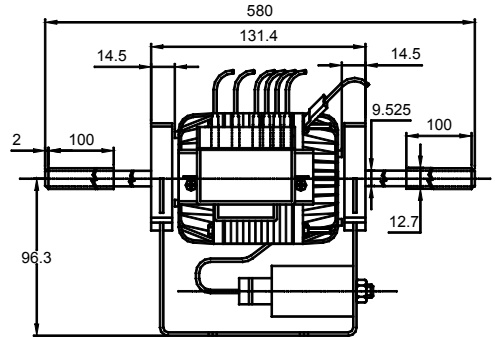
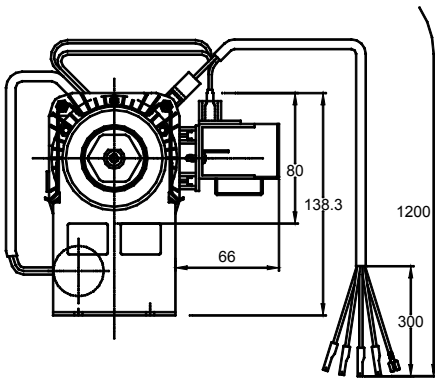
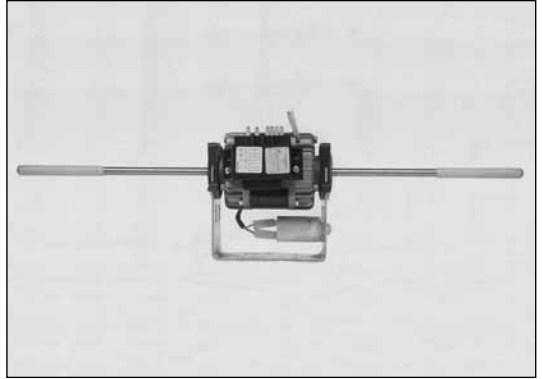
EM-4-26A

Supply • 230/240VAC 50/60Hz
Watts Input • 100
Watts Output • 26
Current (A) • 0.7
Speed • 1300 RPM
Rotation • ACW



SQUARE FAN MOTORS

DOUBLE SHAFTED MULTI SPEED FAN COIL MOTORS



Model No.	Watts Out	Run Speed (high)	No. of Speeds	Shaft Ø & Length	Base Style
EM-4-50 / 3DS	50	1100	3	12.7 x 224	J
EM-4-50 / 3DS1	50	1100	3	9.52 x 224	J

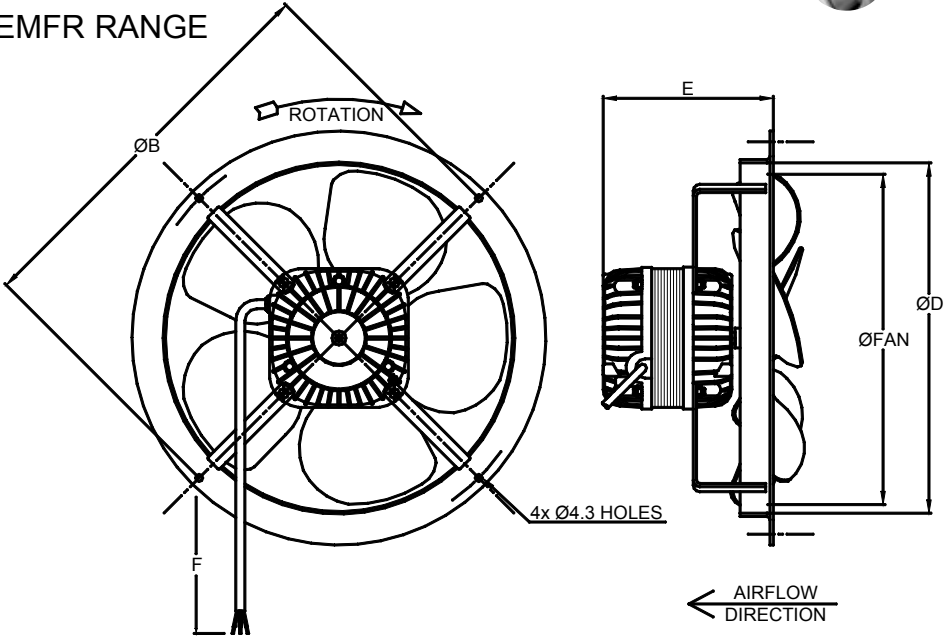
Note: both models 220/240V, 50Hz

Tel: +44 (0)1243 869905 Fax: +44 (0)1243 810799 E-mail: sales@remco.co.uk Web: www.remco.co.uk

RING MOUNTED ASSEMBLIES



EMFR RANGE

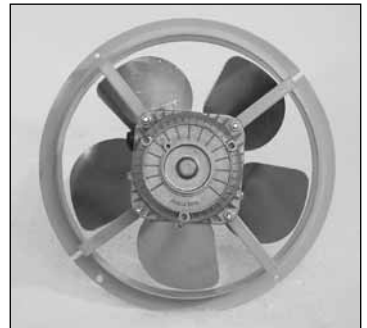
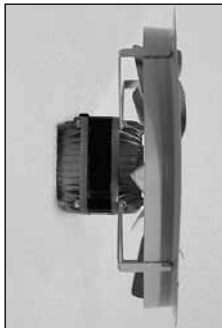


Stock No.	IMPELLER DIA. (mm)	BLADE PITCH ANGLE	WATTS OUTPUT	ØB (mm)	F (mm)	ØD (mm)	E (mm)
* EMFR-4-2-154-00	-	-	5	190	5550	162	97
EMFR-4-5-154-34	154	34°	5	190	1050	162	94.7
EMFR-4-5-172-34	172	34°	5	208	1050	180	94.7
** EMFR-2-18-200-25	200	25°	18	236	1330	208	109
EMFR-4-10-200-34	200	34°	10	236	1040	208	100.9
EMFR-4-7-230-28	230	28°	7	266	1540	238	100.9
EMFR-4-18-254-28	254	28°	18	290	1530	262	111.7
EMFR-4-18-300-22	300	22°	18	344	1030	308	111.7

* Fan not supplied

** High speed 2 pole, 2300rpm motor

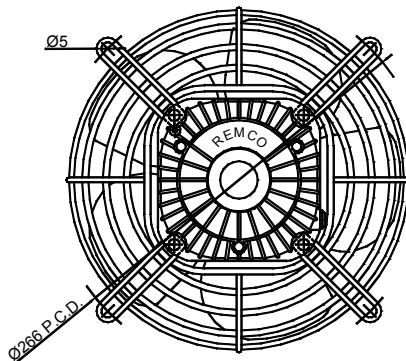
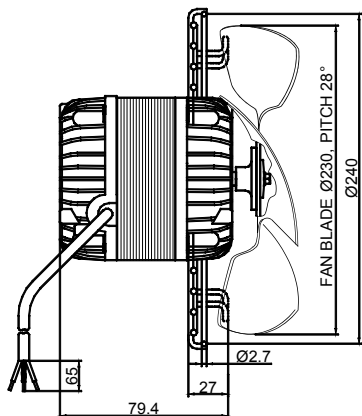
Note: All models 220/240V, 50Hz



Tel: +44 (0)1243 869905 Fax: +44 (0)1243 810799 E-mail: sales@remco.co.uk Web: www.remco.co.uk

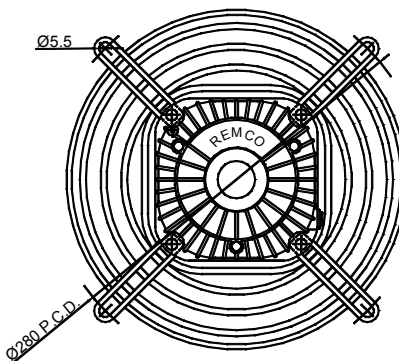
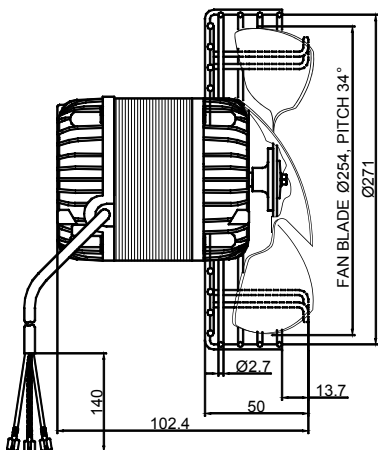
GUARD MOUNTED ASSEMBLIES

EM RANGE - SHADED POLE



Model No.	Volts	Hz	Watts Out	Speed
EMFG-4-7-230-28	240	50	7	1300

Note: All models 220/240V, 50Hz

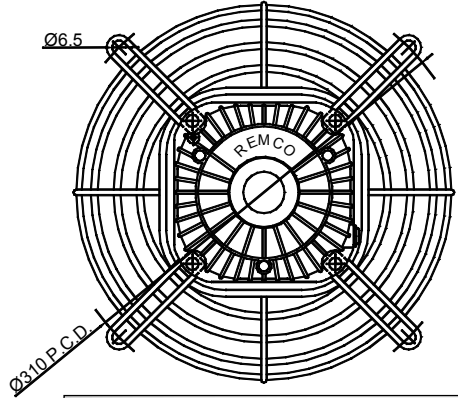
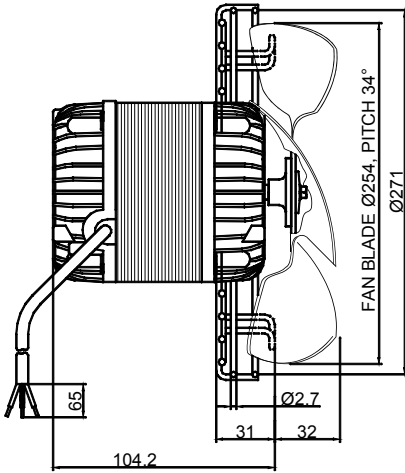


Model No.	Volts	Hz	Watts Out	Speed
EMFG-4-11-230-28	240	50	11	1300

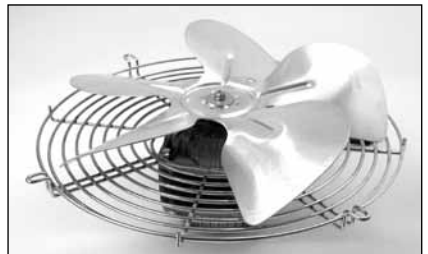
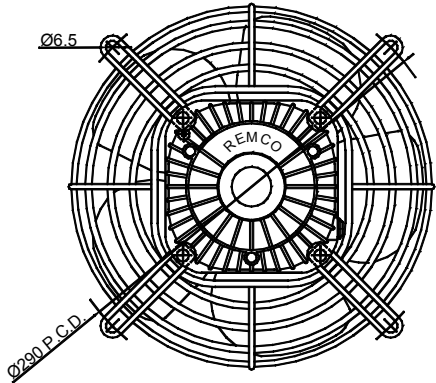
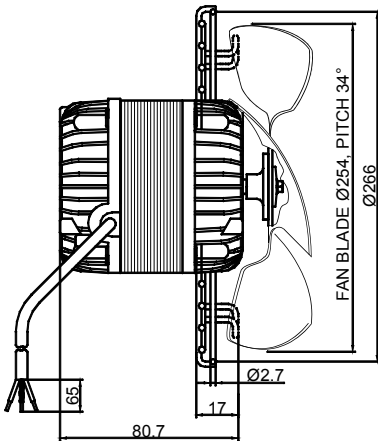


Tel: +44 (0)1243 869905 Fax: +44 (0)1243 810799 E-mail: sales@remco.co.uk Web: www.remco.co.uk

GUARD MOUNTED ASSEMBLIES



Model No.	Volts	Hz	Watts Out	Speed
EMFG-4-16-254-34	240	50	16	1300



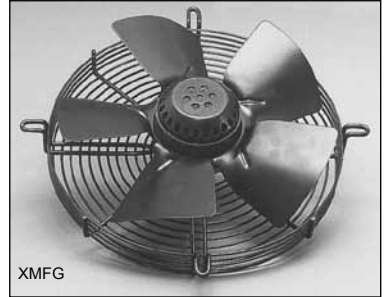
Model No.	Volts	Hz	Watts Out	Speed
EMFG-4-18-254-31	240	50	18	1300

Tel: +44 (0)1243 869905 Fax: +44 (0)1243 810799 E-mail: sales@remco.co.uk Web: www.remco.co.uk

EXTERNAL ROTOR MOTORS, AXIAL FAN & GUARD ASSEMBLIES

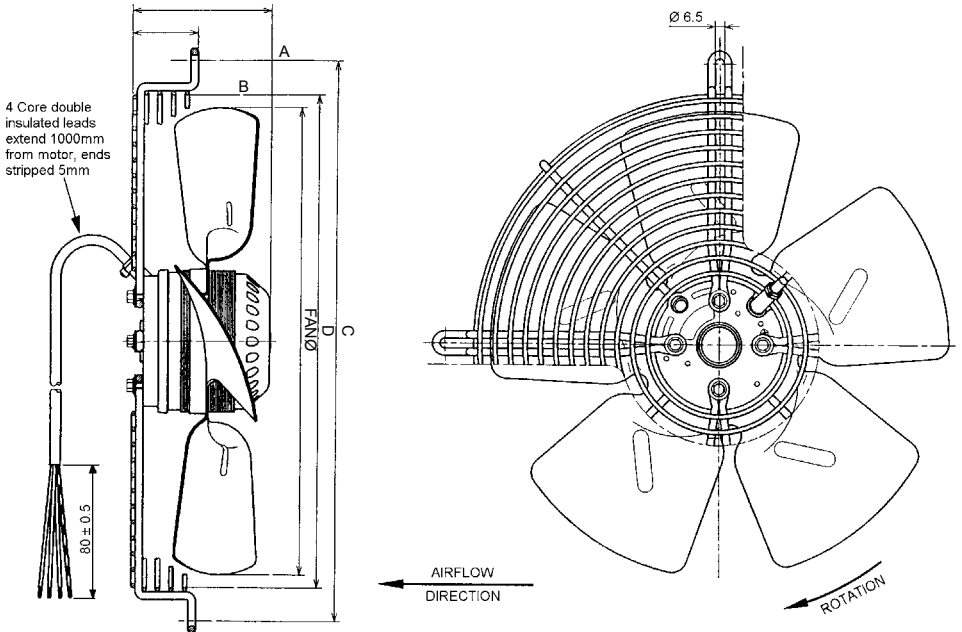
Three models of 4 pole, single phase, PSC units commonly used in condenser fan applications. Prices include remote mounting capacitor.

Note: All models 220/240V, 50Hz



XMFG RANGE

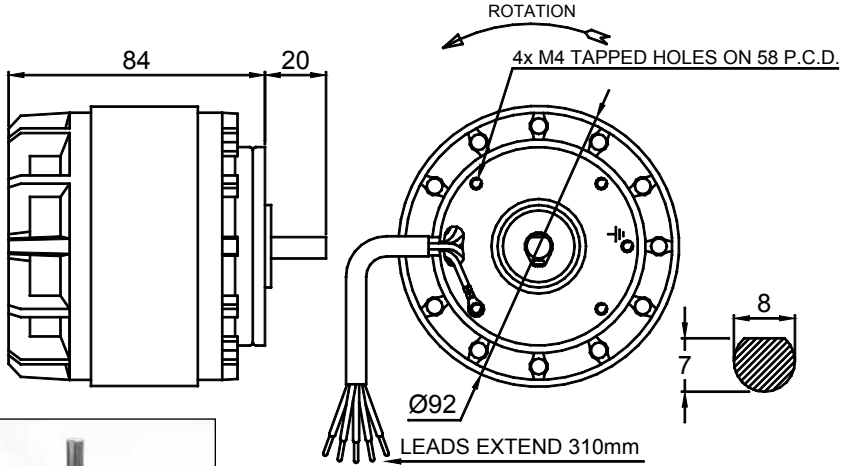
Stock No.	A	B	C	D	FANØ
XMFG-4-40-300-28	82	43	360	316	300
XMFG-4-80-350-30	118	50	422	375	350
XMFG-4-140-400-30	118	50	470	420	395



Tel: +44 (0)1243 869905 Fax: +44 (0)1243 810799 E-mail: sales@remco.co.uk Web: www.remco.co.uk

EXTERNAL ROTOR MOTORS FOR TANGENTIAL FAN ASSEMBLIES

Two models of 4 pole single phase external rotor motors used in tangential fan applications. Supplied with remote mounting capacitors.



Model No.	Watts Out	Speed	Amps
XM - 4 - 30A	30	1300	0.4
XM - 4 - 50A	50	1300	0.6

Note: both models 220/240V, 50Hz

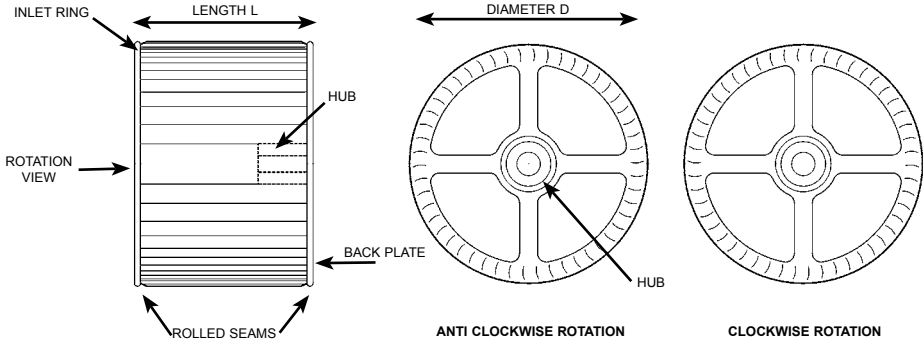


Use 30 Watt motor to drive fans with $\varnothing 100$ & up to 500mm long.
 Use 50 Watt motor to drive fans $\varnothing 100$ mm & from 500 - 1000mm long

SINGLE INLET ALUMINIUM FAN WHEELS

Series SA

STANDARD HUB BORES: 1/4", 5/16", 3/8", 7/16", 1/2" & 5/8"
8mm, 14mm, & 16mm

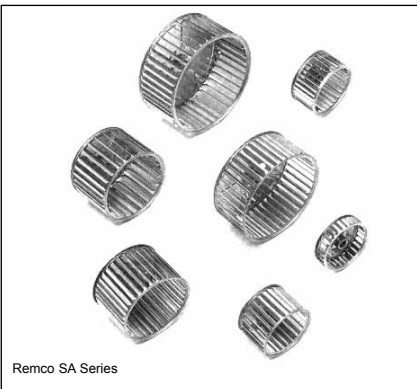


DIAMETER

Sizes Available

	76	96	108	121	133	146	160	180	185	200	215	238
		X										
		X										
	X	X	X	X	X	X						
				X								
			X	X	X	X	X	X		X		
				X	X	X	X	X	X	X	X	X
					X	X	X	X		X	X	X
							X			X	X	X
											X	X
						X					X	X

LENGTH



Remco ladder construction impellers are manufactured from a continuous strip of formed blades which are 'roll seamed' and locked into the back plate and inlet ring to provide a rigid, concentric impellor wheel. It is secured to the motor shaft via a zinc plated hub with grub screw.

Prices shown on these two pages are for the most commonly requested replacement fan wheels, please call Remco for any other sizes.

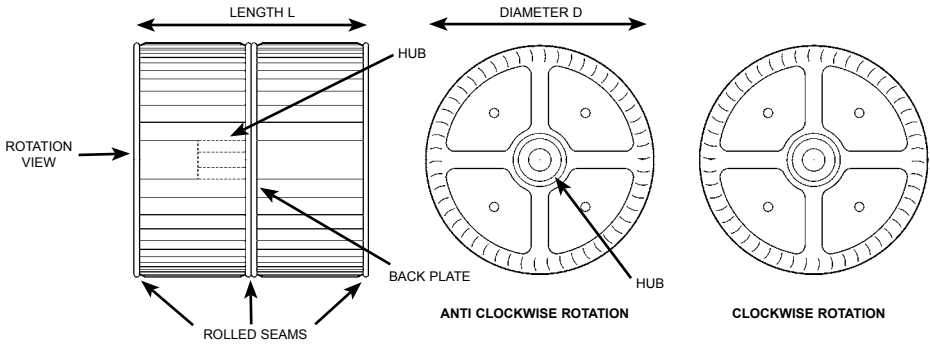
Note: Fan Wheels are now subject to our standard discount structure. (see page 98)

Tel: +44 (0)1243 869905 Fax: +44 (0)1243 810799 E-mail: sales@remco.co.uk Web: www.remco.co.uk

DOUBLE INLET ALUMINIUM FAN WHEELS

Series DA

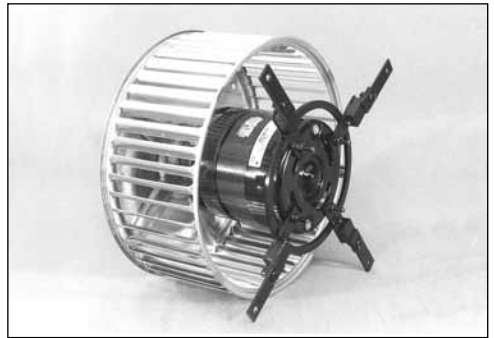
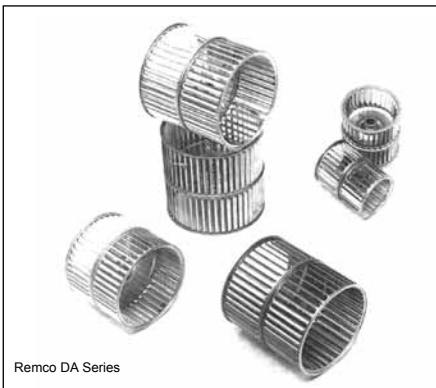
STANDARD HUB BORES: 1/4", 5/16", 3/8", 7/16", 1/2" & 5/8"
8mm, 14mm, & 16mm



DIAMETER

Sizes Available

	76	96	108	121	133	146	160	180	185	200	215	238
76												
100	X	X	X			X						
126			X			X	X					
148				X		X	X	X				X
176				X	X	X	X	X	X	X	X	
196					X	X	X	X		X	X	X
216						X	X				X	X
240					X			X			X	X
300						X					X	X



Note: Fan Wheels are now subject to our standard discount structure. (see page 98)

Tel: +44 (0)1243 869905 Fax: +44 (0)1243 810799 E-mail: sales@remco.co.uk Web: www.remco.co.uk

ALUMINIUM AXIAL FAN BLADES

One piece 5 Bladed -
Hubless fan blades
Designed to be used
on hubless motors,
see pages 17, 19 & 20



Part No.	Fan Ø	Blade pitch angle	Air direction with ACW rotation
EL-5-154-33AA	154	33°	
EL-5-154-33AP	154	33°	
EL-5-172-33AA	172	33°	
EL-5-172-33AP	172	33°	
EL-5-200-33AA	200	33°	
EL-5-200-33AP	200	33°	
EL-5-230-33AA	230	33°	
EL-5-230-33AP	230	33°	
EL-5-254-33AA	254	33°	
EL-5-254-33AP	254	33°	
EL-5-300-27AA	300	27°	
EL-5-300-27AP	300	27°	

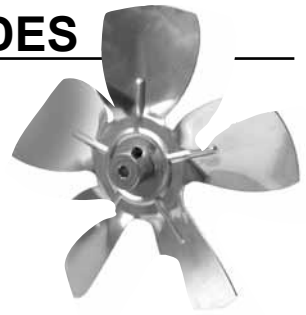
One piece 4 Bladed fan with hub



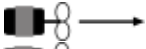
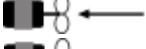
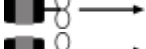
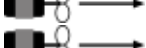

Part No.	Fan Ø (mm)	Blade pitch angle	Air direction with ACW rotation	Hub bore (mm)
EL-4-96-34CW	96	34°		4.76
EL-4-140-32-CW	140	32°		6.3
EL-4-140-32-ACW	140	32°		6.3

Tel: +44 (0)1243 869905 Fax: +44 (0)1243 810799 E-mail: sales@remco.co.uk Web: www.remco.co.uk

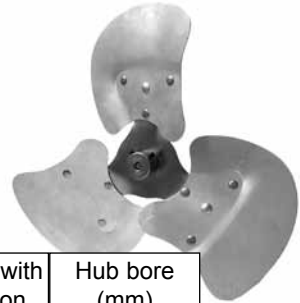
ALUMINIUM AXIAL FAN BLADES

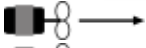
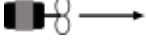


One piece 5 Bladed fan with hub

Part No.	Fan Ø (mm)	Blade pitch angle	Air direction with ACW rotation	Hub bore (mm)
EL-5-228-31-ACW	228	31°		7.93
EL-5-254-12-CW	254	12°		7.93
EL-5-254-12-ACW	254	12°		7.93
EL-5-254-28-ACW	254	28°		7.93
EL-5-254-32-ACW	254	32°		7.93

Curved blade profile, 3 bladed built up fans
Steel spider hub with aluminium blades



Part No.	Fan Ø (mm)	Blade pitch angle	Air direction with ACW rotation	Hub bore (mm)
VER-3-305-20-ACW	305	20°		7.93
VER-3-330-16-ACW	330	16°		7.93

24 Range cooling fans for high temperature applications

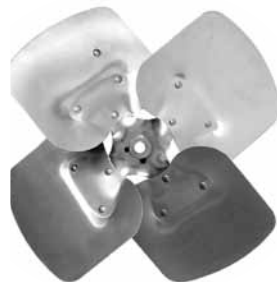


One piece 5 Bladed fan with hub

Tel: +44 (0)1243 869905 Fax: +44 (0)1243 810799 E-mail: sales@remco.co.uk Web: www.remco.co.uk

ALUMINIUM AXIAL FAN BLADES

Square blade profile 4 bladed fans, steel spider hub with aluminium blades



Part No.	Fan Ø (mm)	Blade pitch angle	Air direction with ACW rotation	Hub bore (mm)
VER-4-254-20	254	20°		7.93
VER-4-254-30	254	30°		7.93
VER-4-254-32	254	32°		7.93
VER-4-305-20	305	20°		12.7
VER-4-305-28	305	28°		12.7
VER-4-305-32	305	32°		12.7
VER-4-355-24	355	24°		12.7
VER-4-355-24-CW	355	24°		12.7
VER-4-380-20	380	20°		15.9
VER-4-380-24	380	24°		15.9
VER-4-380-30	380	30°		15.9
VER-4-380-32	380	32°		15.9
VER-4-380-40	380	40°		15.9
VER-4-460-24	460	24°		15.9
VER-4-510-18	510	18°		15.9
VER-4-510-26	510	26°		15.9
VER-4-510-35	510	35°		15.9
VER-4-560-16	560	16°		15.9
VER-4-560-32	560	32°		15.9

Tel: +44 (0)1243 869905 Fax: +44 (0)1243 810799 E-mail: sales@remco.co.uk Web: www.remco.co.uk

PARTS & ACCESSORIES



KBMC variable speed AC motor controller
 Max Current 3 Amp
 Max Current 5 Amp



Autotransformers for motor speed control



Resistor fixed - 330ohm
 Motor speed control



Slide resistor - 155ohms
 Adjustable for motor speed control



Slide resistor - 350ohms
 Adjustable for motor speed control



Slide resistor - 430ohms
 Adjustable for motor speed control



Start Capacitors - various
 see page 96 & 97



Run Capacitors - various
 see page 96 & 97



Shaft extension assemblies
Coupling and extension shaft

Shaft adaptor sleeves



- 3/16 - 6mm
- 3/16 - 1/4"
- 6mm - 1/4"
- 1/4 - 5/16"
- 1/4 - 3/8"
- 5/16 - 3/8"
- 3/8 - 7/16"
- 1/4 - 1/2"
- 5/16 - 1/2"
- 3/8 - 1/2"
- 7/16 - 1/2"
- 1/2 - 14mm
- 1/2 - 5/8"
- 5/8 - 3/4"

Other sizes available on request

PARTS & ACCESSORIES



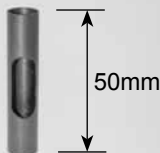
Shaft extension
33 range threaded/plain
Shaft extension



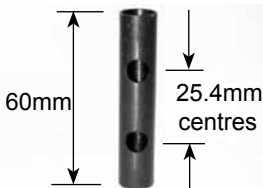
1/2" - M6 tapped shaft sleeve



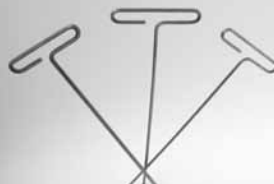
Shaft sleeve and key
12.7 - 15.9mm
1/2" - 5/8"



Long shaft sleeve
5/16 - 3/8"
3/8 - 7/16"
3/8 - 1/2"



Long shaft sleeve
7/16 - 1/2"
11.1 - 12.7mm



Allen keys - Long reach

3mm, 1/8" & 5/32"
3/16"



24 range Cooling Fan

3/16 or 6mm bore



24 range cooling fan

3/16 or 6mm bore



**Heatsink fan for 7.92mm
(5/16") motor shafts**



Custom made fan units

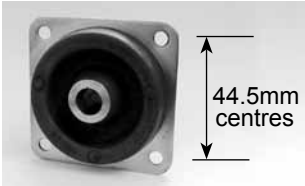


Spiderfan
Ø147 x 102mm Long
Also see page 91
Combination A

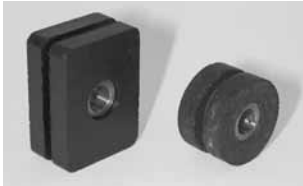


Spring shaft coupling

PARTS & ACCESSORIES



Fan deck anti-vibration mounts



Mounting grommets & spacers

Square or Round -



Vibromount arm



Latches for resilient mounting rings



Resilient rings, various sizes

45mm Outer Dimension
57mm Outer Dimension
63mm Outer Dimension



33 range 3 point mounting bracket



G180 mounting bracket



Mounting bracket GEC type



Radial mount belly band for 41 range motors



33 Range blower flange and gasket

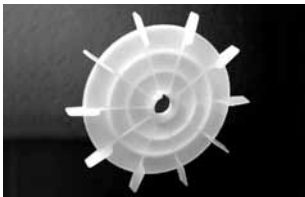


24 range endshield 4 point mounting bracket

Tel: +44 (0)1243 869905 Fax: +44 (0)1243 810799 E-mail: sales@remco.co.uk Web: www.remco.co.uk

PARTS & ACCESSORIES

Vibromounts									
Type	2310S	115	101	2304S	185	164	221	103	120
Rubber Dia	38	32	25.4	16	16	16	16	12.7	9.5
Rubber Length	38	25.4	19.05	21	16	14	9.5	19	9.5
Thread	M10	M8	1/4UNC	M6	1/4BSW	M5	M5	M5	4BA



60 Range T.E.F.C. cooling fan



**Conduit entry
20mm conduit**



Various lead terminations fitted



Weld pads for radial mounting - supply and fit to motor - see page 94

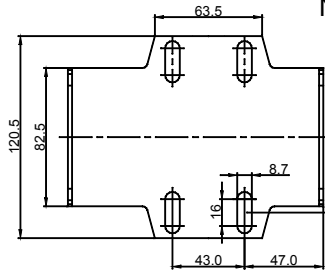


Triangular mounting bracket

TMB1 - 92mm P.C.D. mounting holes
 TMB2 - 95mm P.C.D. mounting holes
 TMB3 - 111mm P.C.D. mounting holes
 TMB4 - 145mm P.C.D. mounting holes

Tel: +44 (0)1243 869905 **Fax:** +44 (0)1243 810799 **E-mail:** sales@remco.co.uk **Web:** www.remco.co.uk

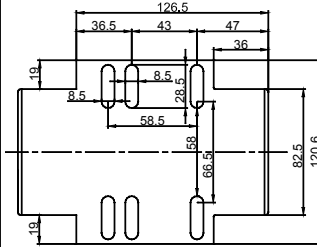
PARTS & ACCESSORIES



Note: **S.C.H.** is the motor shaft centre height when mounted on a resilient base or foot

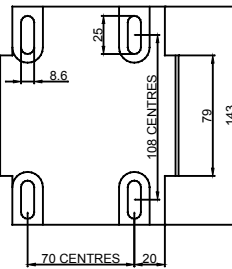
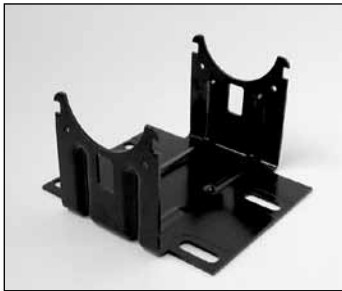
Base Style A

67mm S.C.H.
76.2mm S.C.H.
88.9mm S.C.H.



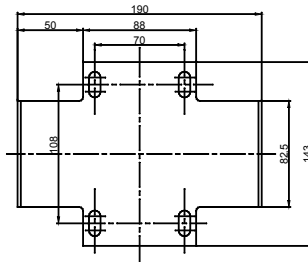
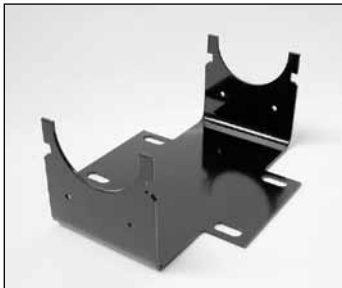
Base Style B

67mm S.C.H.



Base Style D

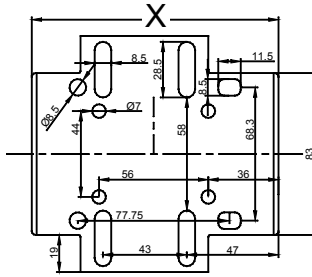
95mm S.C.H.



Base Style E

76mm S.C.H.

PARTS & ACCESSORIES



STANDARD LENGTHS

(Dimension X)

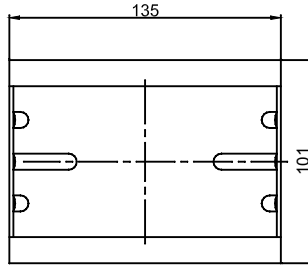
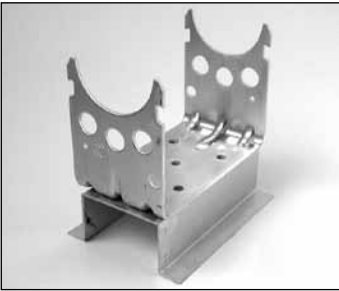
114mm

125mm

Base Style F

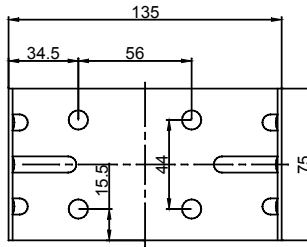
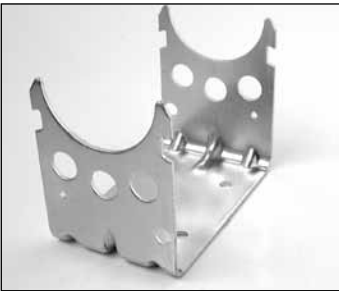
76mm S.C.H.

88mm S.C.H.



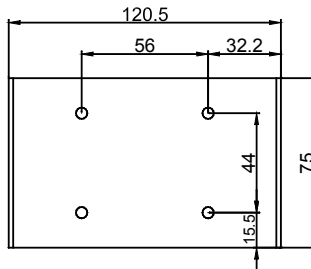
Base Style G

140mm S.C.H.



Base Style H

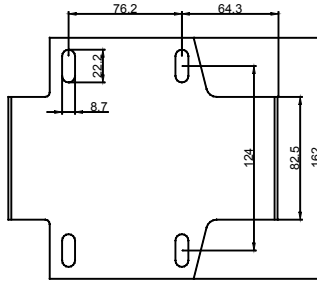
95mm S.C.H.



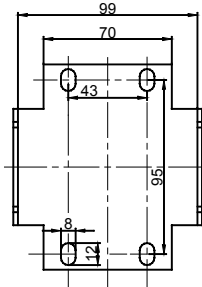
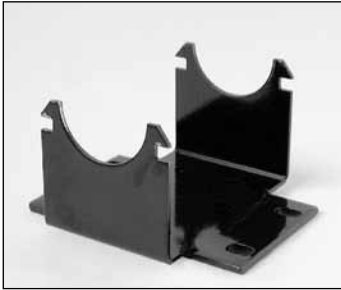
Base Style J

96mm S.C.H.

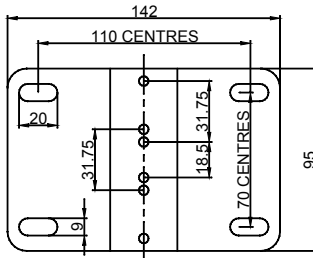
PARTS & ACCESSORIES



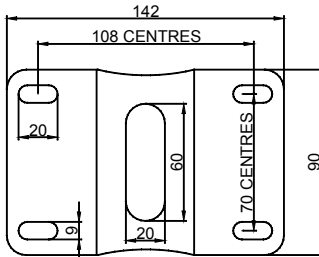
Base Style K
89mm S.C.H.



Base Style L
66mm S.C.H.

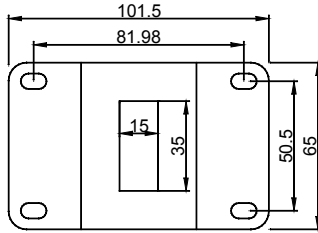


48 Range bolt-on foot
76mm S.C.H.

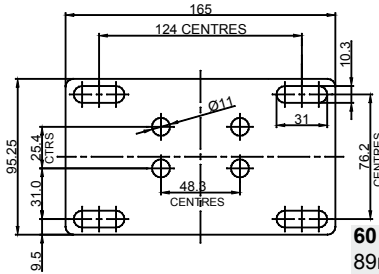


48 Range welded foot
76mm

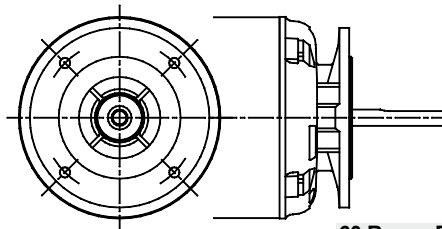
PARTS & ACCESSORIES



35 Range Welded Foot
89mm S.C.H.

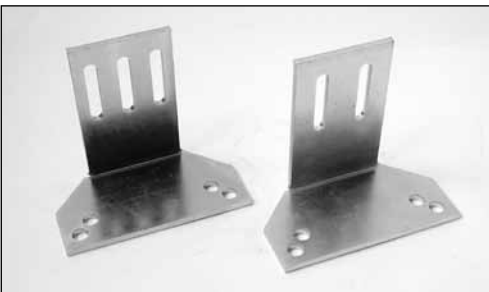


60 Range Welded Foot
89mm S.C.H.



60 Range Flanged Endshield

For dimensions see page 56



For dimensions see page 22

33 Range Foot Mount Brackets
- Bolt on types

PARTS & ACCESSORIES



Blower mounting kit - Standard

For use on:

35 Range motors
41 Range motors
48 Range motors

Kit + bolts & washers

For dimensions see pages 30, 37, 39



Blower mounting kit - Long

For use on:

35 Range motors
41 Range motors
48 Range motors

Kit + bolts & washers

For dimensions see pages



Blower mounting kit - Heavy Duty

For use on:

60 Range motors

Kit + bolts & washers

For dimensions see Page 62

MOTOR & FAN COMBINATIONS



Combination A

Used in popular vertical wall mounted convector

Motor - No 33-4-12AF+Adaptor Sleeve **Page 19**

Fanwheel - SA 147 x 102 1/2" ACW – **Page 83**

3 x Vibromount Arms @ each - **Page 84**

Combination Total



Combination B

Used in G - Series fan convectors

Motor - No 33-4-40A

Page 18

Fanwheel - SA 200 x 88 CW

Page 77

G180 bracket

Page 84

Combination Total



Combination C

Used in popular oil/gas burner applications

Motor - No 35-2-250-OB

Page 65

Fanwheel - SA 160 x 74 CW

Page 77

Combination Total

MOTOR & FAN COMBINATIONS



Combination D

Used in popular 6 speed fan convector unit

Motor - No 35-4-55 / 6DS

Page 30

Fanwheels - 2x DA 146 x 196

Page 78

Combination Total



Combination E

Used in J - Series fan convectors

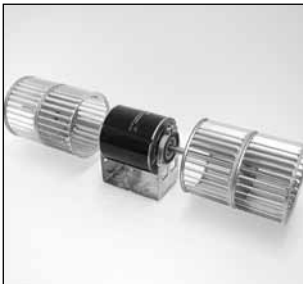
Motor - No 48-4-50DS

Page 40

Fanwheels - 2x DA 146 x 196

Page 78

Combination Total



Combination F

Used in FB - Series fan convectors

Motor - No 35-4-75DS1

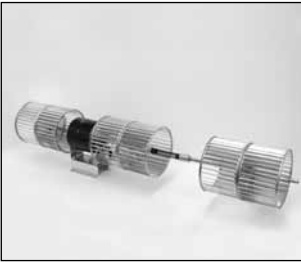
Page 29

Fanwheels - DA 133 x 176 CW

Page 78

Combination Total

MOTOR & FAN COMBINATIONS



Combination G

Used in 3 speed high output fan convector

Motor - No 48-4-210 / 3DS

Page 53

Fanwheels - 3x DA 180 x 240

Page 78

Spring shaft coupling

Page 84

Combination Total



Combination H

Used in popular centrifugal fan blowers

Motor - No 48-6-335R

Page 38

Fanwheel - DA 238 x 300

Page 78

Blower mounting arm kit long

Page 90

Combination Total



Combination I

Used in refrigeration evaporator application

Motor - No 60-4-250 RB1PR

Page 58

Fanblade - VER-4-380-40

Page 81

Combination Total

MOTOR MODIFICATIONS

All the motors shown in this catalogue can be customised to suit a particular OEM application, costs of the various modifications are shown in the table below:

- | | |
|--|-----------|
| - Reduction of motor shaft length | No charge |
| - Increase of motor shaft length
(Shaft extension assembly - page 82 | Phone |
| - Turn down motor shaft to smaller diameter | No charge |
| - Sleeve up motor shaft to larger diameter | No charge |
| - Mill new flat on motor shaft | No charge |
| - Manufacture & weld in position 3 mounting pads
or mounting lugs | Phone |
| - Manufacture & weld in position 4 mounting pads
or mounting lugs | Phone |
| - Reduce or increase the shaft centre height of a
motor mounted on a resilient base | No charge |
| - Fit a resilient base, rings & latches to a motor | Phone |
| - Drill and tap mounting holes in drive end or
non-drive end endshields | No charge |
| - Fit M4 or M5 mounting studs in drive end or
non-drive end endshields | No charge |
| - Conversion of double shafted motor to single shaft | No charge |

FAN MODIFICATIONS

- | | |
|--|-----------|
| - Bore out the hub of a centrifugal fan wheel
Max Ø16mm | No charge |
| - Sleeve down the bore size of a centrifugal fan
wheel or axial fan blade | No charge |

OPERATION AND INSTALLATION

Installation of motors must be carried out by a competent person. If you have any doubts about the suitability of a particular motor for an application, contact our technical department or seek local assistance from a qualified individual.

Most Remco motors are supplied with an earth lead. It is recommended that this is securely attached to a suitable earthing point within the appliance, even though the motor might be considered to have been earthed to the unit via its mounting studs.

It is *particularly* important that **motors utilising resilient rubber mounting systems**, i.e. radial mounting bands & blower mounting kits or resilient ring & base mounting **are earthed correctly** to an earthing point within the appliance via the earth lead from the motor, as the mounting methods described above effectively insulate the motor body from the appliance.

Always check that the mains supply voltage & frequency are suitable for the motor concerned - i.e. check motor nameplate data.

Take care in connecting multi-speed motors to the mains supply. **Incorrect connection will almost certainly damage the motor windings.** All Remco multi-speed motors are supplied with a connection diagram on the motor body. Please read this carefully before switching on. To prevent short circuits and grounding always ensure any unused speed leads are properly insulated.

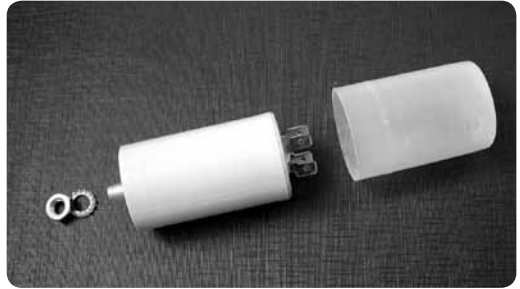
Take care in connecting electrically reversible motors used in certain centrifugal fan applications. In these applications if the motor is running in the wrong direction the unit will still blow air but only approximately 30% of the rated delivery. Check the handing of the fan wheel - see pages 77 & 78 before connecting the motor.

Tel: +44 (0)1243 869905 **Fax:** +44 (0)1243 810799 **E-mail:** sales@remco.co.uk **Web:** www.remco.co.uk

CAPACITORS

Motor Run - Used for starting & running of single phase motors. Manufactured from self healing metallised polypropylene film with case & cover in self extinguishing plastic resin material. Fitted with 6.3mm Faston terminals. Flying leads can be fitted as an option.

Capacitor tolerance + 5%
Rated voltage - 400/450V for use on 220/240V supplies
Frequency range 50/60Hz
Temperature range -25°C to +70°C
Mount via integral stud or clips (Page No. 81)



Motor Start - Electrolytic capacitors are employed in single phase induction motors in order to increase their starting torque. It is necessary that such starting takes place in a fraction of a second and that once starting has occurred the capacitor is disconnected from the circuit by means of either a starting switch or relay. The capacitive element is made of aluminium foils treated and separated by a leaf of impregnated paper as the electrolyte. Cases are moulded in a thermo setting material and terminals are 6.3mm Faston type.

Capacitor tolerance 0 + 25%
Typical duty cycle - 20 Starts per hour, 3 secs. application time
Rated voltage - 280V for use on 220/240V supplies
Temperature range -10°C to +55°C
Mount via supplied clip



CAPACITORS

Metallized Polypropylene Film Capacitors for A.C. use

Stock No.	Capacitor Value (μFd)	Diameter	Length
41610005	0.5	25	60
41610010	1	25	60
41610015	1.5	25	60
41610020	2	25	60
41610025	2.5	25	60
41610030	3	25	60
41610040	4	25	60
41610050	5	30	60
41610060	6	30	60
41610080	8	30	72
41610100	10	30	72
41610120	12	35	72
41610140	14	35	72
41610150	15	35	72
41610160	16	40	72
41610175	17.5	40	72
41610200	20	40	72
41610250	25	40	92
41610300	30	40	97
41610350	35	46	97
41610400	40	46	97
41610500	50	46	117
41610600	60	50	117
41610760	76	50	117

Single Phase Motor Starting Electrolytic Capacitors

Stock No.	Capacitor Value (μFd) Min-Max	Diameter D (mm)	Length L (mm)	Nt (Seconds)	Price £
4127863/79	63-79	52	110.8	60	
4127880/100	80-100	52	110.8	60	
41278100/125	100-125	52	110.8	60	
41278125/150	125-150	52	110.8	60	
41278156/200	156-200	52	110.8	60	
41278200/250	200-250	52	110.8	60	

Note: Capacitors are now subject to our standard discount structure. (see page 98)

Tel: +44 (0)1243 869905 Fax: +44 (0)1243 810799 E-mail: sales@remco.co.uk Web: www.remco.co.uk

DISCOUNT STRUCTURE

The following items are subject to our standard discount structure:

- Replacement Electric Motors - all ranges
- Ring Mounted Motor and Fan Assemblies
- Guard Mounted Motor & Fan Assemblies
- External rotor motor, fan & guard assemblies
- Compact Axial fan units
- Centrifugal fan wheels
- Capacitors

The following items **are not** subject to quantity discounts.

- Parts & accessories
- Axial fan blades

Please note that individual motor models can be ordered in small quantities and the total order quantity will attract the following level of discount:

Order Quantity	Price Each
1-9	List Price
10-24	List Price less 17.5%
25-49	List Price less 25%

Please call our Sales Office for prices on larger quantities



Methods of Payment

• Account Facilities • Cheque • BACS • Direct Debit • Credit Card

Tel: +44 (0)1243 869905 **Fax:** +44 (0)1243 810799 **E-mail:** sales@remco.co.uk **Web:** www.remco.co.uk

UK Domestic

1). Parcelforce or Securicor Omega Express.

- a). Next working day by 10.00 am
- b). Next working day by 12.00 noon
- c). Next working day anytime
- d). Within 2-3 working days
- e). Saturday delivery by 12.00 noon

Note: Maximum parcel weight for a, b, c & e - 30Kgs
Maximum parcel weight for d - 50Kgs

2). Nightfreight for heavy palletised loads.

3). Same day via Road Runner Courier service

European - Parcelforce

- a). Channel Islands within 3 working days
- b). Eire within 3 working days
- c). Other European destinations

Note: Maximum parcel weight for a,b & c - 30Kgs

Worldwide - TNT Global Express

Delivery to most destinations within 4-5- working days



NOTE: Transport charges shown were correct at time of printing. We reserve the right to adjust prices at any time & without prior notice in the event of a change in charges by any of the above carriers.

Tel: +44 (0)1243 869905 **Fax:** +44 (0)1243 810799 **E-mail:** sales@remco.co.uk **Web:** www.remco.co.uk

PARCEL TRACKING

All shipments from Remco are consigned using 'Despatch Manager' distribution software.

Your parcel can be tracked on-line and if required hard copy 'proof of delivery' can be e-mailed or faxed to your premises.

Telephone Judi +44 (0) 1243 869905 for consignment information.

If required, customers can track parcels themselves via the internet, call us for your consignment number and details of the carrier used, then visit the appropriate web address & follow the on-screen instructions.

Parcel Force - www.parcelforce.com/polling/polling3.asp

Omega - www.securicor.co.uk/cb1/html/xparcel.htm

Nightfreight - www.nightfreight.co.uk

Access to the above sites can also be gained by visiting our website www.remco.co.uk and clicking on the links in the delivery page.

CONTACT US

GENERAL ENQUIRIES

TEL: +44 (0)1243 869905

FAX: +44 (0)1243 810799

Sales Office

sales@remco.co.uk

Peter Longman	Sales/Technical enquiries	peter.longman@regalbeloit.com
Brendan Hills	Sales enquiries	brendan@remco.co.uk
Matthew Ainsworth	Sales enquiries	matthew@remco.co.uk
Chris Millet	Sales enquiries	chris@remco.co.uk

Accounts Office

accounts@remco.co.uk

Avril Barney	Accounts / general enquiries Statements	avril@remco.co.uk
--------------	--	-------------------

External Sales

Peter Longman	Sales / site visits Display motors & literature	peter.longman@regalbeloit.com
	Mobile:	07769 682846

Production Manager

Darren Brown

darren@remco.co.uk

Quality / ISO representative

Design Office

Joseph Somerville	Catalogue requests Website enquiries Promotional literature	joseph@remco.co.uk
-------------------	---	--------------------

Tel: +44 (0)1243 869905 Fax: +44 (0)1243 810799 E-mail: sales@remco.co.uk Web: www.remco.co.uk

NEW FOR 2010

•

TERMS & CONDITIONS OF SALE

1. General - (a) These terms and conditions of sale supersede all other terms and conditions, representations or undertakings made by the buyer or the seller. Nothing said or written during the course of negotiations between the buyer and the seller shall have contractual or other legal effect unless incorporated in this document.

(b) No agreement shall be effective to vary this contract unless agreed upon in writing and signed by a representative of the seller duly authorised in writing.

(c) Special attention is drawn to the warranty below.

2. Description of Goods - (a) 'Goods' means, subject to this clause, goods of the description ordered or contained in the quotation and to be delivered hereunder.

(b) The seller reserves the right to make without notice to the buyer any improvement or alteration in the material, specification, dimensions, or design of the goods which it thinks reasonable or desirable or which it is required to make by law and such improvement or alteration shall not affect the validity of the contract.

(c) Illustrations, photographs, descriptions and general literature relating to the goods are intended as a general guide only and the goods will not necessarily correspond in all respects with goods shown in those illustrations and photographs or described in the general literature.

3. Drawings, Prints and Specifications - Any technical drawings, prints and specifications supplied by the seller under or in connection with a quotation, or the contract, shall remain the property of the seller. The buyer shall not copy them without the consent of the seller and shall comply with the seller's reasonable requirements to their use, return and otherwise.

4. Patents - The seller gives no indemnity in respect of any actual or alleged infringements of the patents, registered designs, design copyright, or any other industrial property right relating to the goods.

5. Delivery - (a) The place of and the date for delivery are as agreed between the buyer and the seller.

(b) The date for delivery is the seller's best estimate based on present information. The seller shall not be liable for delay in delivery in any circumstances whatsoever (even if caused by the negligence of the seller, its servants or agents) nor for any loss, damage, or expense which the buyer may suffer by reason of such delay.

(c) Claims for goods received in a damaged condition will only be considered if notified by telephone within 3 days of receipt and confirmed in writing within 14 days of receipt.

6. Cancellations - Orders/ Part orders cannot be cancelled without the prior agreement and written consent of the seller. Returned goods must be in a new and unused condition, in the original packing where possible. Credit for returned goods may be subject to a restocking charge of from 10% at the discretion of the seller.

7. Property and Risk - (a) Property in the goods shall not pass to the buyer until the buyer has paid the whole of the price of the goods in full to the seller.

(b) The risk shall pass to the buyer as soon as one of the following events occurs:-

(i) The buyer pays the price in full.

(ii) The buyer takes delivery of the goods.

(iii) The seller notifies the buyer that the goods are ready for delivery and delivery has not taken place within 7 days thereafter for whatever reason.

(c) In particular, and without prejudice to (b), if the goods or any item thereof are lost, damaged or destroyed from any cause whatsoever (including the negligence of the seller, its servants or agents) whilst still in the possession of the seller after the risk has passed to the buyer, then the buyer shall pay the reasonable cost of repairing or replacing the goods and shall also remain liable to pay the price of the goods in full.

8. Jurisdiction - The law governing the contract shall be the law of England. Any dispute arising out of or in connection with the contract shall be submitted to the jurisdiction of the English courts, except that the seller may elect and be entitled to proceed in Scotland or Northern Ireland or any foreign jurisdiction whatever proceedings may lawfully be brought against the buyer.

9. Notices - Any notice may be served by either party on the other by leaving it at, or sending it by, post, cable, telegram, fax, or telex to the address of that party contained in the contract. Such notice shall be deemed to be served when it would be received by either party in the normal course of transmission of post or otherwise.

10. Liability of the Seller - (a) The seller shall not be liable if manufacture or delivery is prevented, hindered, or delayed by reason of strikes, sit-ins, trade disputes, lock-outs or any other actual or threatened industrial action or by difficulty in obtaining labour, plant, materials or bought in components, or by breakdown of plant, or machinery (including transport), or by interruption of power supplies, or by fire or by legal action by a third party (whether or not any of the aforesaid are caused by the negligence of the seller, its servants or agents) or by reason of any circumstances outside the seller's control which shall include, but not be limited to war, civil riot, intervention by government and all other cases of force majeure.

(b) If the manufacture or delivery of the full quantity due hereunder is prevented, hindered, or delayed by reason of any circumstances within sub-clause (a) then without prejudice to the exemption from liability under (a) the seller shall be entitled either, to apportion goods of the contract description at its discretion between the buyer and other customers of the seller and to deliver the quantity so apportioned to the buyer, delivery of which quantity shall constitute delivery in full, or to withhold delivery, until such time as the full quantity can be and is delivered hereunder.

11. Termination of the Contract - (a) The contract shall automatically terminate if the buyer (being an individual or, in the case of a firm, any member thereof) commits any act of bankruptcy or has a receiving order made against him or has any process of distress or execution levied upon his goods or makes any arrangement with his creditors, before the property in the goods has passed to the buyer hereunder.

(b) If the buyer (being a limited company) has a receiver appointed of its assets or goes into liquidation whether compulsory or voluntary or ceases to carry on in business, or if the seller reasonably considers that any of the said events is about to occur, before the property in the goods has passed to the buyer, then the seller may terminate the contract forthwith by notice in writing.

(c) In the event of termination under sub-clause (a) or (b) above the buyer shall cease to have any interest in or right to possession of the goods and the seller for the purpose of exercising its rights as unpaid seller and under this contract shall be entitled to enter any premises where the goods are situated and to remove them at the buyer's expense.

(d) Termination under this clause or the clause concerning payment shall be without prejudice to the seller's right to recover damages for any breach of contract by the buyer.

12. Variations - (a) The seller agrees to carry out any reasonable variations to the previously agreed specifications and drawings which is requested in writing by the buyer or his agent and accepted in writing by the seller.

(b) When specified or agreed materials are not readily available, the seller in addition to its rights under Clause 2 shall be entitled to substitute other materials which it deems suitable without prior notice to the buyer.

13. Site - When deliveries are to be made direct to site the buyer will warrant to the seller that the site will be readily accessible to normal road transport at the time and date of delivery, and that the buyer or his agent will be ready to accept the goods.

14. Price - The price shall be that ruling according to the seller's price lists where applicable and in force at the date of the seller's notice that the goods are ready for delivery, unless otherwise agreed in writing by the seller and the buyer.

15. Payment - Payment terms for approved credit accounts are strictly nett monthly i.e. payment in full to be received no later than the last day of the month following the month during which the goods were dispatched, (an invoice from 1st, 15th or 30th April would fall due for payment on or before 31st May, and would become overdue on 1st June). The agreed terms of payment must be strictly observed. If any sum due thereunder is not paid in full by the due date or if before such date the buyer is unable or unwilling to make such payment in full then the seller shall have the right to terminate the contract forthwith whereupon clause 11 (c) shall apply. A minimum charge of £10.00 may be applied. Orders placed of a lesser value must be paid for by cash or cheque in such circumstances.

16. Indemnity - The buyer will indemnify the seller against any claims made by a third party arising directly or indirectly out of the contract.

17. Warranty - All goods are guaranteed against defects in manufacture and materials for a period of 12 months from the date of dispatch. Goods will be repaired or replaced free of charge within this period provided they are returned to our works carriage pre-paid, securely packed and providing our inspection shows such goods to be defective due to the above causes. The seller's liability arising out of the supply of goods and their use shall not exceed the cost of rectifying defects within them as noted above. The seller shall not be liable for any costs incurred by the buyer in removal or replacement of defective goods in their use, neither shall the seller be liable in any event for any other indirect or consequential damages. The warranty will be invalid in the case of goods that have been subject to neglect, misuse, misapplication, incorrect connection, have not been properly packed for return to the seller, or have been altered or repaired in any way outside our works. Subject as contained in this warranty, all express or implied warranties or conditions statutory or otherwise as to quality or fitness for any purpose of the goods are hereby expressly excluded.

PRICING INFORMATION

1. The prices shown are nett, ex-works and exclusive of value added tax.
2. This price list supersedes all previously published price lists.
3. We reserve the right to amend prices any time and without notice.
4. The prices charged will be those ruling at the date of despatch.
5. All transactions subject to our standard terms and conditions of sale.
6. Discounts for quantity orders. Further discounts for larger quantities - phone for a quotation.
7. There is no minimum order quantity or minimum invoice value.
8. Order quantity may comprise more than one motor stock number.
9. Credit terms, subject to approval, are strictly nett monthly account.

This catalogue is copyright and may not be reproduced in whole or in part without the express permission of the publishers in writing.

This edition supersedes all previous issues.

The details contained in this catalogue are produced in good faith. Whilst every effort has been made to provide reliable & up to the minute information, Remco Products Ltd. do not hold themselves responsible for possible errors of an editorial or other nature, however caused.

Should you require a more detailed specification for any product described herein, please contact our Sales Office.

In view of our continuous programme of product improvements, we reserve the right to amend designs, components and specifications at any time and without prior notice.

The illustrations are provided for guidance only, and products may be supplied which differ slightly from those described in this publication.



© REMCO
Unit 12, Castlegrove Business Park
Durban Road,
Bognor Regis,
West Sussex.
PO22 9QT
United Kingdom

Joseph Somerville

Tel: +44 (0)1243 869905 Fax: +44 (0)1243 810799 E-mail: sales@remco.co.uk Web: www.remco.co.uk

REQUIRE FURTHER INFORMATION ?

For detailed information and technical help please call Remco
or visit our Web Site - www.remco.co.uk

The collage displays four different pages from the Remco website:

- Top Left:** Product page for '35 Range Electric Motors', highlighting a '3 SPEED FAN MOTOR' with features like 'FULLY VENTILATED ENDEFIELD MOTOR' and '3 SPEED FAN MOTOR'. It includes a table of specifications.
- Top Right:** 'General Specification' page for a motor, listing details such as 'Shaft Size', 'Frame', 'Enclosure', 'Rating', 'Speeds', 'Mounting', and 'Supply'.
- Bottom Left:** A search bar with the text 'Search for a product code:' and a search button.
- Bottom Right:** A 'NEW MOTOR' section featuring a product image and a brief description: 'The 20-21 is a new range of motor for use in domestic fan units. This will be a highly robust and efficient motor for use in office or industry fan units.' Below this is a 'When this motor is used in series with the next 3 speed electric fan unit...' note.

Tel: +44 (0)1243 869905 Fax: +44 (0)1243 810799 E-mail: sales@remco.co.uk Web: www.remco.co.uk

Replacement Electric Motors & Fans for Refrigeration, Heating, Ventilation and Air Conditioning Applications.

All Models available from Stock • 48 Hour or Overnight Delivery
No Minimum Order Quantity • No Minimum Order Charge
Full Technical Support • Quantity Discounts



Remco.
Unit 12, Castlegrove Business Park
Durban Road, Bognor Regis
West Sussex
PO22 9QT

e-mail: sales@remco.co.uk
web: www.remco.co.uk