

BC212 & BC215 Solid Bearing Rodless Cylinder

PERFORMANCE

— BC212
— BC215

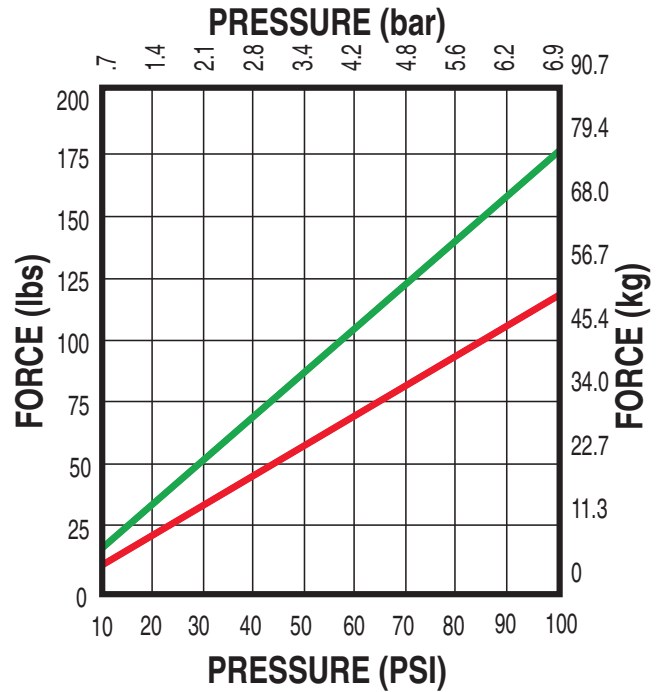


BC212 & BC215

BC212 & BC215 OPTIONS

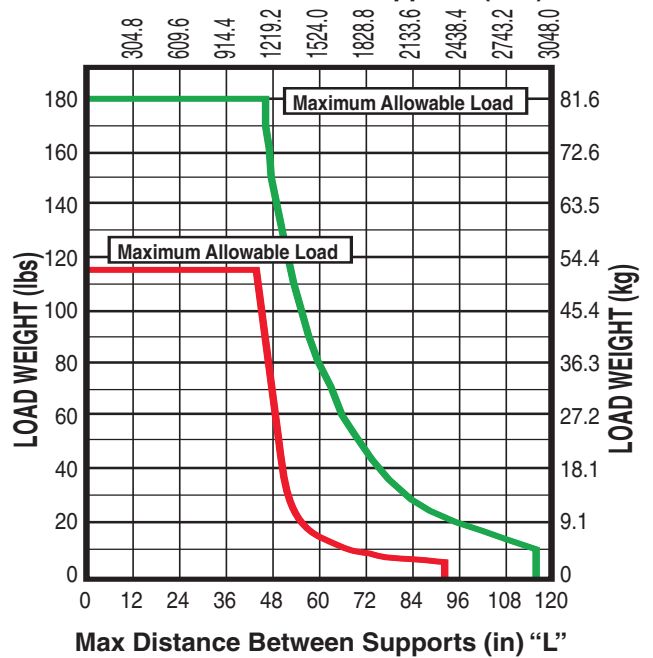
BC212 & BC215 OPTIONS	Page
Auxiliary Carrier	BC2_14
Floating Mount	BC2_18
Foot Mount	BC2_17
Shock Absorbers	BC2_22
Switches	BC2_20
Tube Supports	BC2_16
MORE INFORMATION	Page
Application Guidelines	BC2_26
Ordering	BC2_28
Selection	BC2_25

THEORETICAL FORCE vs PRESSURE

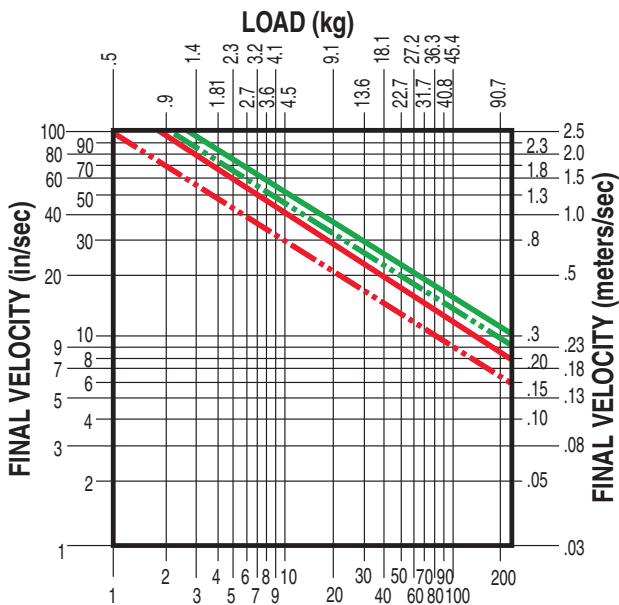


TUBE SUPPORT REQUIREMENTS

Max Distance Between Supports (mm) "L"

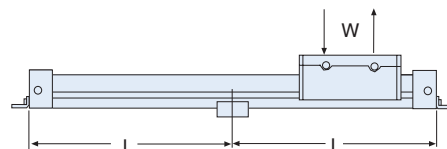


CUSHION DATA



NOTE:

- Max. for any application
- Max. for continuously cycled application



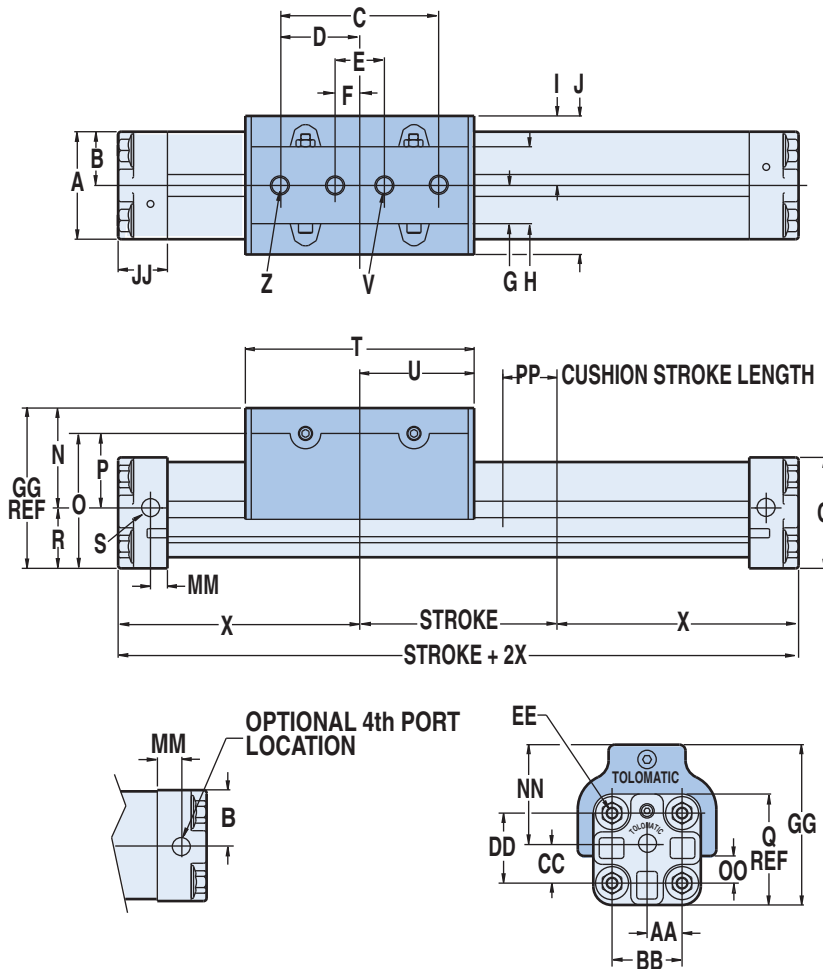
BC212 & BC215 Solid Bearing Rodless Cylinder

3D CAD available at
www.tolomatic.com



Always use configured CAD solid model
to determine critical dimensions

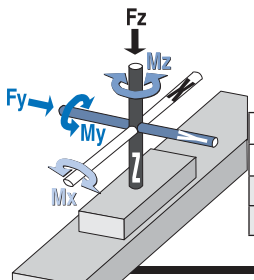
DIMENSIONS



	U.S.12	U.S.15	Metric12	Metric15
A	2.18	2.85	55.4	72.4
B	1.09	1.42	27.7	36.1
C	3.20	4.25	81.3	108.0
D	1.60	2.12	40.6	53.8
E	1.00	1.00	25.4	25.4
F	0.50	0.50	12.7	12.7
G	0.78	0.90	19.8	22.9
H	1.56	1.80	39.6	45.7
I	1.41	1.75	35.8	44.5
J	2.82	3.50	71.6	89.0
N	1.83	2.13	46.5	54.1
O	2.48	2.95	63.0	74.9
P	1.25	1.51	31.0	38.4
Q	2.25	2.59	57.2	65.8
R	1.23	1.41	31.2	36.6
S	1/4 NPT (3)	1/4 NPT (3)	M 1/4 BSPT(3) MM 1/4 BSPP(3)	M 1/4 BSPT(3) MM 1/4 BSPP(3)
T	4.64	5.91	117.9	150.1
U	2.32	2.96	58.9	75.1
V	5/16-18 UNC x .31 DP	1/4-20 UNC x .38 DP	M8 x 7 DP	M8 x 10 DP
X	4.87	5.91	123.7	150.1
Z	1/4-20 UNC x .31 DP	5/16-18 UNC x .38 DP	M8 x 7 DP	M8 x 10 DP
AA	0.71	0.91	18.0	23.1
BB	1.42	1.81	36.1	46.0
CC	0.78	1.03	19.8	26.2
DD	1.42	1.81	36.1	46.0
EE	1/4-20 x .47 DP	1/4-20 x .47 DP	M6 x 12 DP	M6 x 12 DP
GG	3.06	3.54	77.7	90.7
JJ	1.00	1.25	25.4	31.8
MM	0.34	0.50	8.6	12.7
NN	1.83	2.13	46.5	54.1
OO	0.35	0.28	9.0	7.0
PP	1.10	1.29	27.9	32.7
	INCHES		MILLIMETERS	

SPECIFICATIONS

BC212/15 BENDING MOMENTS AND LOAD



	BORE SIZE	MAX. BENDING MOMENT			MAX. LOAD
		M_y	M_x	M_z	F_z
U.S.12	1.25 in	290 in-lbs	75 in-lbs	130 in-lbs	120 lbs
U.S.15	1.50 in	500 in-lbs	275 in-lbs	200 in-lbs	180 lbs
Metric12	32 mm	32.77 N-m	8.47 N-m	14.69 N-m	54.42 kg
Metric15	40 mm	56.49 N-m	31.07 N-m	22.60 N-m	81.63 kg

	BORE SIZE	WEIGHT		MAX. STROKE LENGTH*	MAX. PRESSURE	TEMPERATURE RANGE
		BASE	PER UNIT OF STROKE			
U.S.12	1.25 in	4.56 lbs	0.21 lbs/in	288 in	100 PSI	20° to 140° F
U.S.15	1.50 in	8.18 lbs	0.34 lbs/in	298 in	100 PSI	20° to 140° F
Metric12	32 mm	2.068 kg	0.0036 kg/mm	7315 mm	6.895 bar	-7° to 60° C
Metric15	40 mm	3.7 kg	0.0058 kg/mm	7569 mm	6.895 bar	-7° to 60° C

*For longer strokes, alternate materials, mounting and/or fasteners – consult Tolomatic