

Preparation of compressed air ► Maintenance units and components

Pressure regulator, Series NL2-RGS

► G 1/4 - G 3/8 ► Qn= 2000 l/min ► Activation: mechanical ► suitable for ATEX



00107354

Mounting orientation	Any
Working pressure min./max.	0.5 bar / 16 bar
Medium	Compressed air Neutral gases
Medium temperature min./max.	-10°C / +60°C
Ambient temperature min./max.	-10°C / +60°C
Regulator type	Diaphragm-type pressure regulator, Can be assembled into blocks
Regulator function	with relieving air exhaust
Adjustment range min./max.	See table below
Pressure supply	single
Materials:	
Housing	Die cast zinc
Front plate	Acrylonitrile butadiene styrene
Seals	Acrylonitrile butadiene rubber

Technical Remarks

- The pressure dew point must be at least 15 °C under ambient and medium temperature and may not exceed 3 °C.
- The rear pressure gauge connection on the pressure regulator is closed with a blanking plug, the front connection is open. Depending on the customer application, a second blanking plug may be necessary. Please order separately (see accessories).
- Suitable for use in Ex zones 1, 2, 21, 22
- Recommended pre-filtering: 5 µm

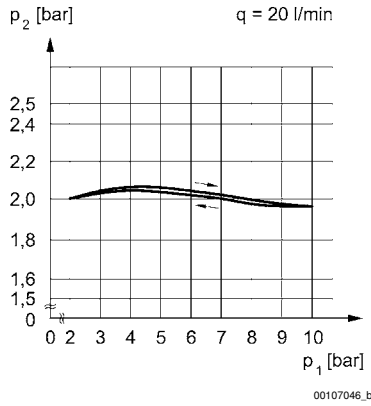
		Port	Qn	Adjustment range	Weight	Note	Part No.
				min. - max..			
			[l/min]	[bar]	[kg]		
		G 1/4	2000	0.1 - 3	0.41	1)	0821302404
		G 1/4		0.2 - 6			0821302560
		G 1/4		0.5 - 10			0821302400
		G 3/8		0.1 - 3			0821302451
		G 3/8		0.2 - 6			0821302452
		G 3/8		0.5 - 10			0821302440
	-	G 1/4	2000	0.1 - 3	0.325	2)	0821302405
		G 1/4		0.2 - 6			0821302406
		G 1/4		0.5 - 10			0821302401
		G 3/8		0.1 - 3			0821302444
		G 3/8		0.2 - 6			0821302453
G 3/8	0.5 - 10	0821302441					

- 1) Pressure gauge enclosed separately
 2) Order pressure gauge separately
 Nominal flow Qn with secondary pressure p2 = 6 bar at Δp = 1 bar

Pressure regulator, Series NL2-RGS

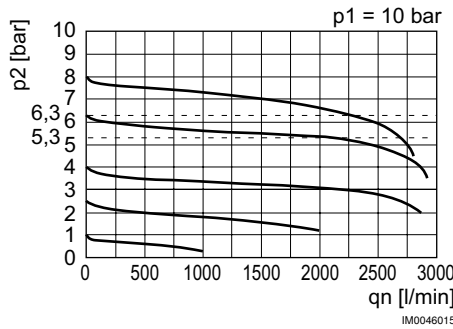
▶ G 1/4 - G 3/8 ▶ Qn= 2000 l/min ▶ Activation: mechanical ▶ suitable for ATEX

Pressure characteristics curve



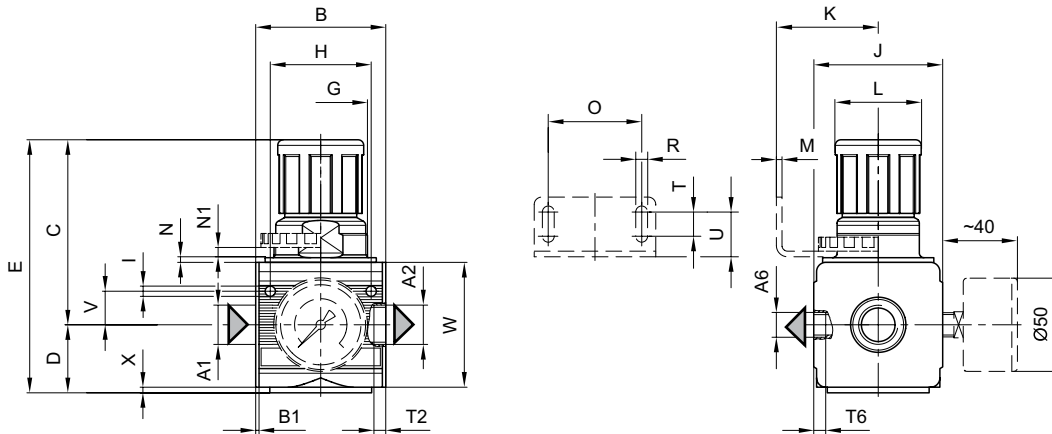
p1 = working pressure
 p2 = secondary pressure
 q = flow rate

Flow rate characteristic (setting range p2: 0.5 - 10 bar)



p1 = Working pressure
 p2 = Secondary pressure
 qn = Nominal flow

Dimensions



00107355

Preparation of compressed air ► Maintenance units and components

Pressure regulator, Series NL2-RGS

► G 1/4 - G 3/8 ► Qn= 2000 l/min ► Activation: mechanical ► suitable for ATEX

A1	A2	A6	B	B1	C	D	E	G	H	I	J	K	L
G 1/4	G 1/4	G 1/4	48	1.5	67.5	27	94.5	M30x1,5	36	4.4	47	43.5	28
G 3/8	G 3/8	G 1/4	48	1.5	67.5	27	94.5	M30x1,5	36	4.4	47	43.5	28

A1	M	N	N1	O	R	T	T2	T6	U	V	W	X
G 1/4	3	3	3.5	38	5.4	8	9.5	7	18.5	12.3	52	1
G 3/8	3	3	3.5	38	5.4	8	9.5	7	18.5	12.3	52	1