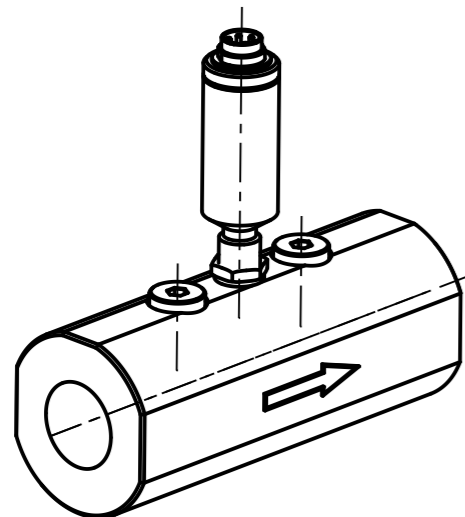
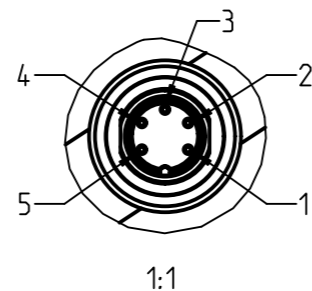


Eintritt / in:
 -gerade Strecke >250mm
 -nicht reduzieren
 -straight line >250mm
 -don't reduce

Austritt / out:
 -gerade Strecke >125mm
 -nicht reduzieren
 -straight line >125mm
 -don't reduce



F/I-Wandler /
 F/I converter



Technische Daten / technical data:	
Einbaulage / mounting position:	horizontal oder vertikal horizontal or vertical
Meßbereich / measuring range:	15-300 l/min
Viskositätsbereich / viscosity range:	bis / to 270 cSt
Meßpunkte / measuring port:	2x G1/4 (verschlossen mit Verschlussschraube) (closed with locking screws)
Druckbereich / pressure range:	max. 400 bar
Mediumtemperatur / medium temperature :	max. 120°C
Umgebungstemperatur / ambient temperature:	max. 50°C
Genauigkeit / exactness:	+/- 2,0 % v. MW / from mean value
Wiederholgenauigkeit / repeatability:	< 0,1 % v.MW / from mean value
Spannungsversorgung / power supply:	12-30V
F/I-Wandler / F/I-converter:	
Pin 1	Masse / ground (-I/D GND)
Pin 2	Nicht angeschlossen / not connected
Pin 3	Versorgung / supply (+I)
Pin 4	Nicht angeschlossen / not connected
Pin 5	Nicht angeschlossen / not connected

2.0 cable set 8600-016-34-124000

cable

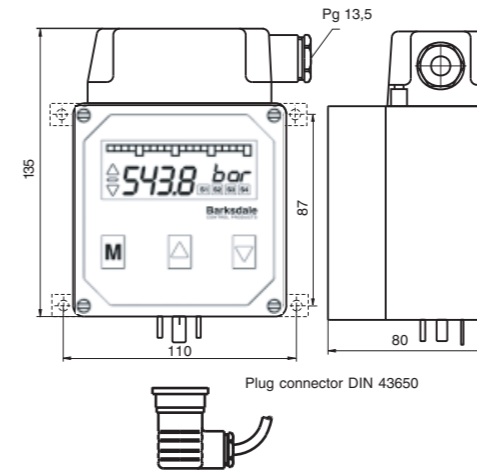
2,5m data line 5 x 0,25mm²

connector limit switch:
 connector turbine:

round connector
 rectangular connector design A

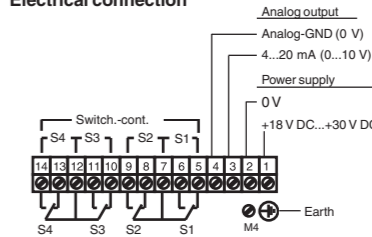
3.0 limit switch 0086-067-99-003000

Electronic 4-fold Trip Amplifier
 Dimensions (in mm)

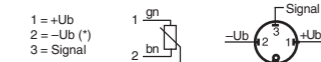


Typ UAS 3

Electrical connection



Sensor connection acc. to DIN 43650



(*) in combination with 2-wire circuit pin 2 is not required.

Analog measuring input
 By choice:
 Current input : 0 / 4...20 mA
 Voltage input : 0...10 V DC
 Resistance input : Poti (500 Ohm...100 kOhm)

Technical Data

Measuring Principle	: Amplifier with 12 Bit A/D-converter
Materials:	
Housing (Electronics)	: Aluminum cast G AL SI 12
Seal (Housing)	: Neoprene
Keypad	: Polyester foil
Operating Elements	: Keypad with easy response pushbuttons
Protection Class	: IP65
Dimensions	: 100 (W) x 135 (H) x 80 (D) mm
Weight	: appr. 1080 g
Analog Inputs	
Current Input	: 4...20 mA
Voltage Input	: 0...10 V DC
Resistance Input	: 0,5...100 kOhm
Temperature	: PT100 element acc. to IEC751, please see UTS 3
Linearity Error	: <±0,2% f. s. at 25 °C
A/D-Converter:	
Resolution	: 12 bit (4096 steps per measuring span)
Scanning Rate	: 1000/s (for peak value memory)
Operating Display	: 8-digit 14-segment LCD display, height 12 mm, red
Bargraph	: 24-Segment for actual value
Trend Arrows	: last changes
Display Range	: -9999...+9999 (scalable)
Display Rate	: 4/s
Display Unit	: All technical units
Electrical Connection:	
Sensor Connection	: Plug 3-pin according to DIN 43650 incl. electrical plug
Cable Gland	: Plug-in, terminal strip with 14 screws for 1,5 mm ² , AWG14 slots 1 x PG 13,5 side entry = standard 2 x PG 13,5 top entry = optional

Temperature Influence	: <±0,01% f. s. / 10K
Compensation Range	: -10 °C... +70 °C
Repeatability	: <±0,01% f. s.
Temperature Range	: -10 °C... +70 °C (Electronics) -30 °C... +80 °C (Storage)
Power Supply	: 18...30 V DC unregulated, max. 10 % residual ripple, reversed polarity protected
Power Consumption	: appr. 350 mA at Ub = 24 V DC (without load)
Analog Output	
Current Output	: 4...20 mA
Load	: max. RI = (Ub-12 V) / 20 mA RI = 600 Ohm at Ub = 24 V DC
Load Influence	: 0,3% / 100 Ohm
Scanning Rate	: 1 ms
Voltage Output	: 0...10 V DC
Rating	: max. 10 mA, short circuit-proof
Adjustment Range	: 25%...100% f. s.
4 x Relay Output(s) - SPDT-Contacts	
Contact Rating	: max. 120 V DC / 250 V AC max. 120 W / 1250 VA
Cycles	: 1 Mio. at 24 V DC / 2 A
Switching Rate	: max. 20/s
Delay	: 16 ms...9,9 s adjustable
Operation Time	: 1 ms
Status Display	: S1 ... S4 on LCD display
Options	: Mounting bracket, shock mounts

Warm-behandlung	Werkstoff		Ortlinghaus-Werke GmbH Postfach 14 40 42907 Wermelskirchen GERMANY
Zugfestigk. [N/mm ²]	Werkstoff-norm		Projekt-Nr.
Abweichungen für Maße ohne Toleranzangabe nach ON 1.2.83	Kunden-Nr.	flowmeter kit	Sprache: EN
Schutzvermerk nach DIN 34 beachten!	Datum 25.02.2016		
Format A3	gez. HZR	Gewicht [kg]	Maßstab
	norm.		
	gepr. Sk	gen.	1. Zus.-stellung

04-03-2019/13-22-34/freigegeben