

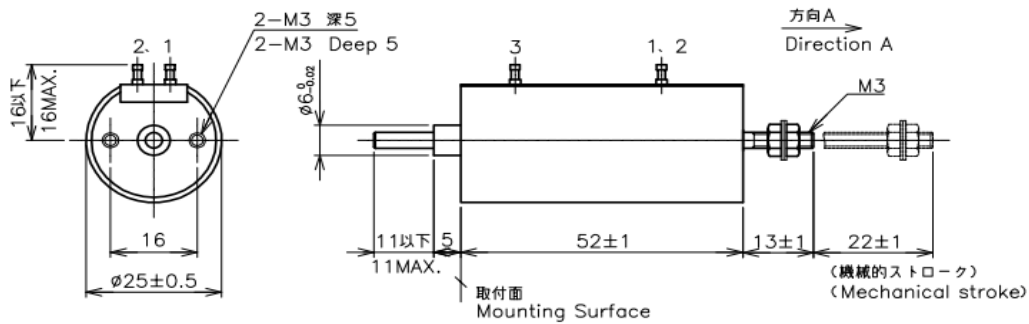
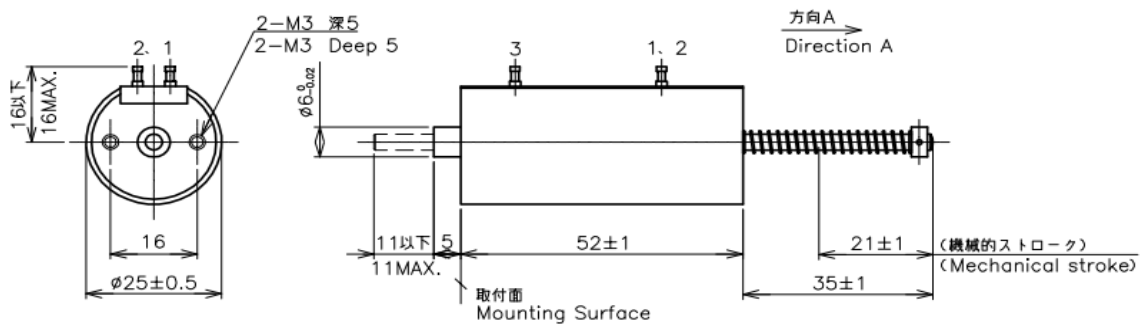
Conductive Plastic Linear Sensor

LP-20F Series - LP-20F, LP-20FB

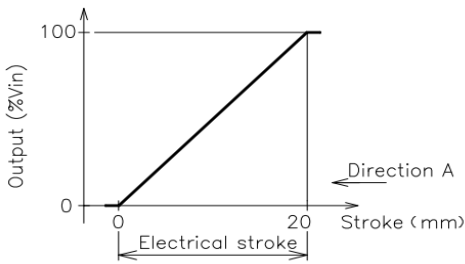
- Conductive Plastic Linear Sensor
- Effective Electrical Travel : 20mm±0.5mm
- Independent Linearity : ±1%
- Return Spring(LP-20FB)

【Material】

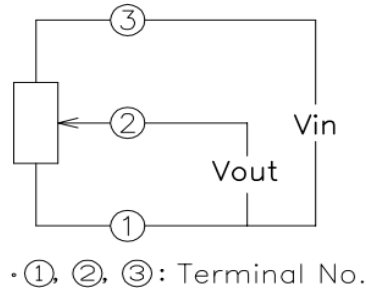
- Housing : Aluminum
- Shaft : Stainless Steel
- Bearing : Copper alloy

Dimension [mm]LP-20FLP-20FB

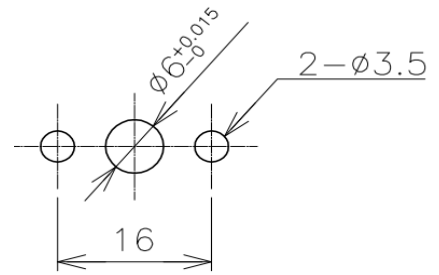
■ Output Characteristics



■ Schematic



■ Mounting



【Model No.】	LP-20F	LP-20FB
-------------	--------	---------

【Electrical Data】		
Effective Electrical Travel	20±0.5	mm
Total Resistance	1, 2	kΩ
Total Resistance Tolerance	±20	%
Independent Linearity	±1	%
Power Rating	0.6/70°C	W
Output Smoothness	MAX. 0.1	%
Insulation Resistance	MIN. 100 / DC 500V	MΩ
Dielectric Strength	AC500 1 Minute	V
TC of Resistance	±400	ppm/K

【Mechanical Data】		
Total Mechanical Travel	22±1	mm
Friction	MAX. 0.3	MAX. 3N(Spring Strength) N
Mass	60 Approx.	g

【Environmental Data】		
Life	MIN. 5 Million	Cycle
Category Temperature Range	-40~+100	°C
Storage Temperature Range	-40~+100	°C
Vibration	100m/s ² 500Hz 3axis 2hours each	
Shock	500m/s ² 11ms 6directions 3times	

■ Accessories

M3 Nut, Plain washer 2 pieces each

■ Handling Instruction

To avoid burnout of resistive element, do not supply 1mA Min. current to terminal 2.