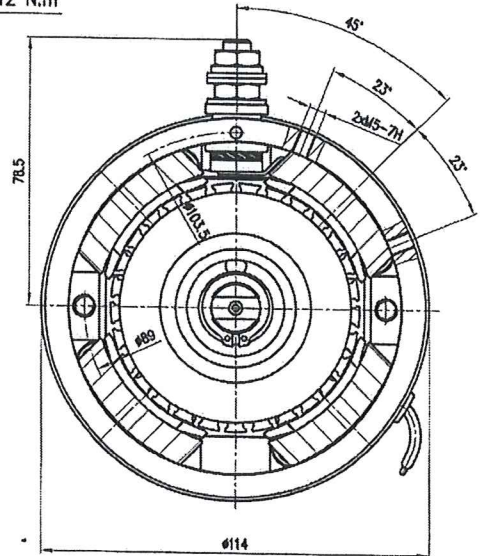
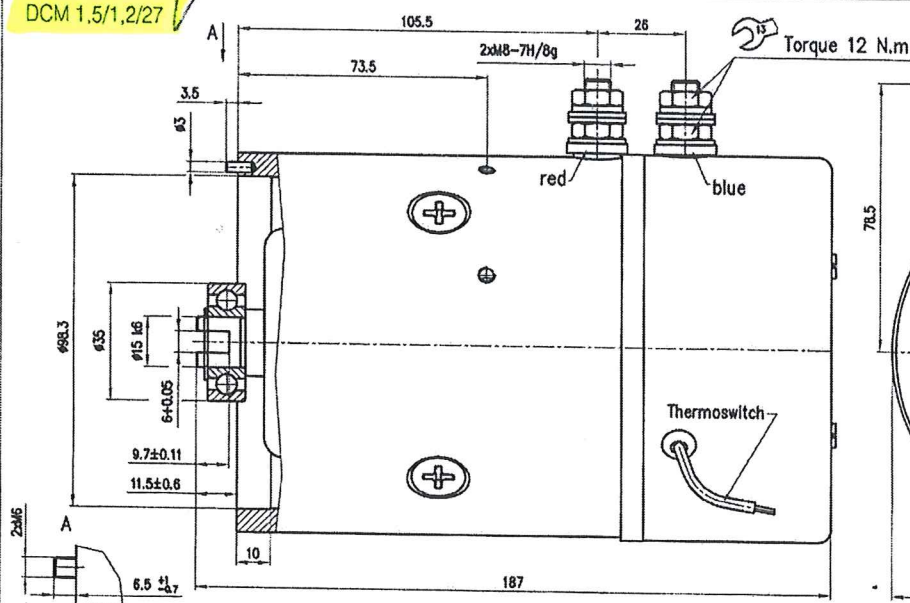
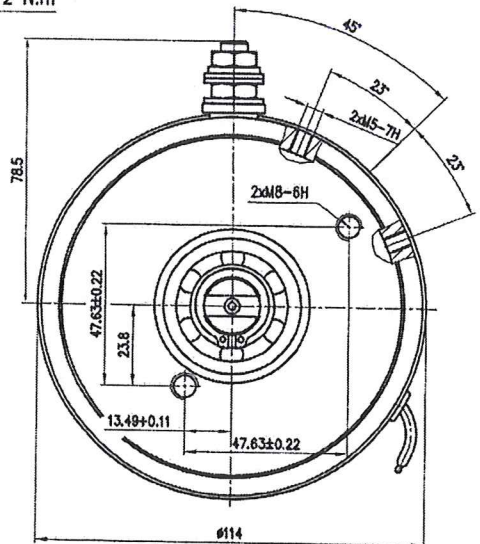
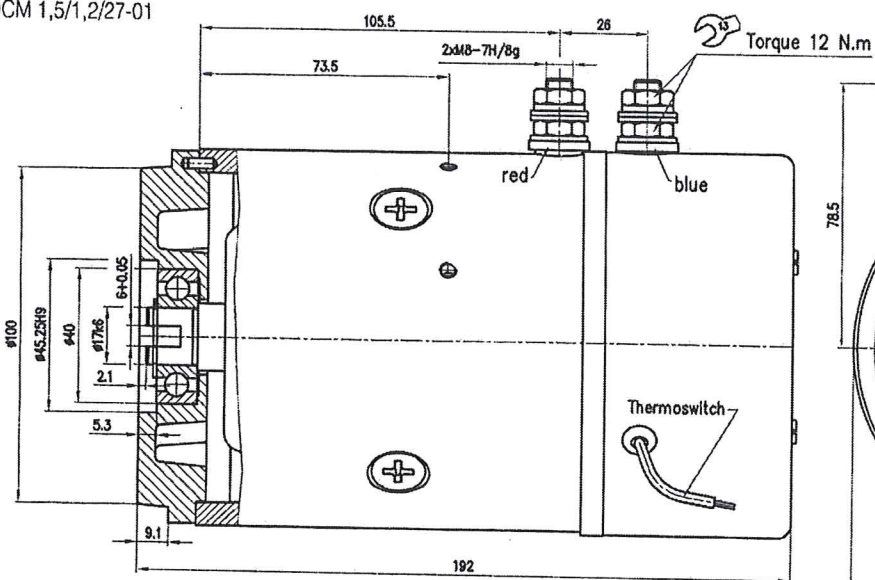


DCM 1,5/1,2/27



DCM 1,5/1,2/27-01

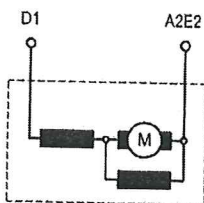


DCM 1,5/1,2/27

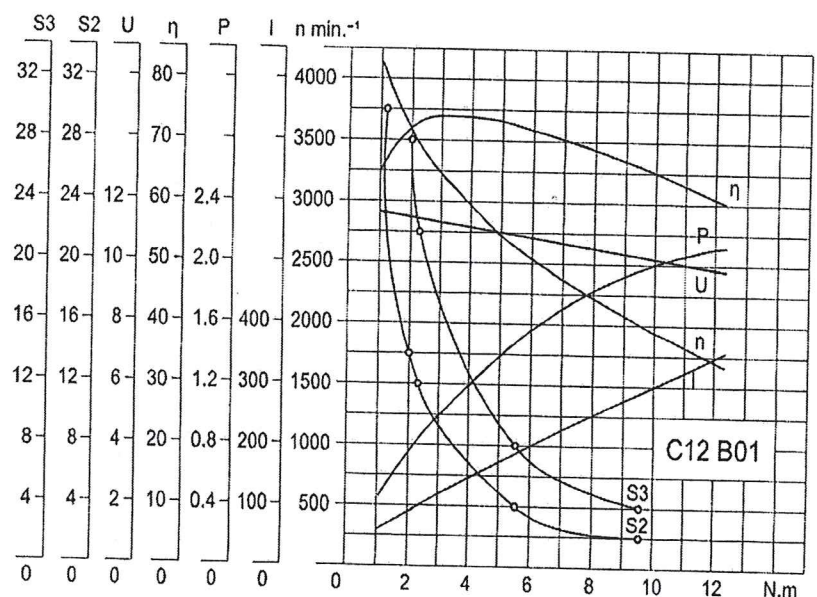
DCM 1,5/1,2/27-01

- Rated Power 1,5 kW
- Rated Voltage 12 V
- Rated Current 180 A
- Rated Speed 2700 min.⁻¹
- Operation Mode S2 - 4 min.
- Excitation Compound
- Protection IP 44
- Insulation F
- Weight 6.8 kg / 7.1 kg
- Char. Curve C12 B01
- Rotation C.W.D.E

Connection Diagram



Design versions are adapted to standard assembly dimensions of hydraulic pumps and made according to special requirements of the customers



C&P LTD.