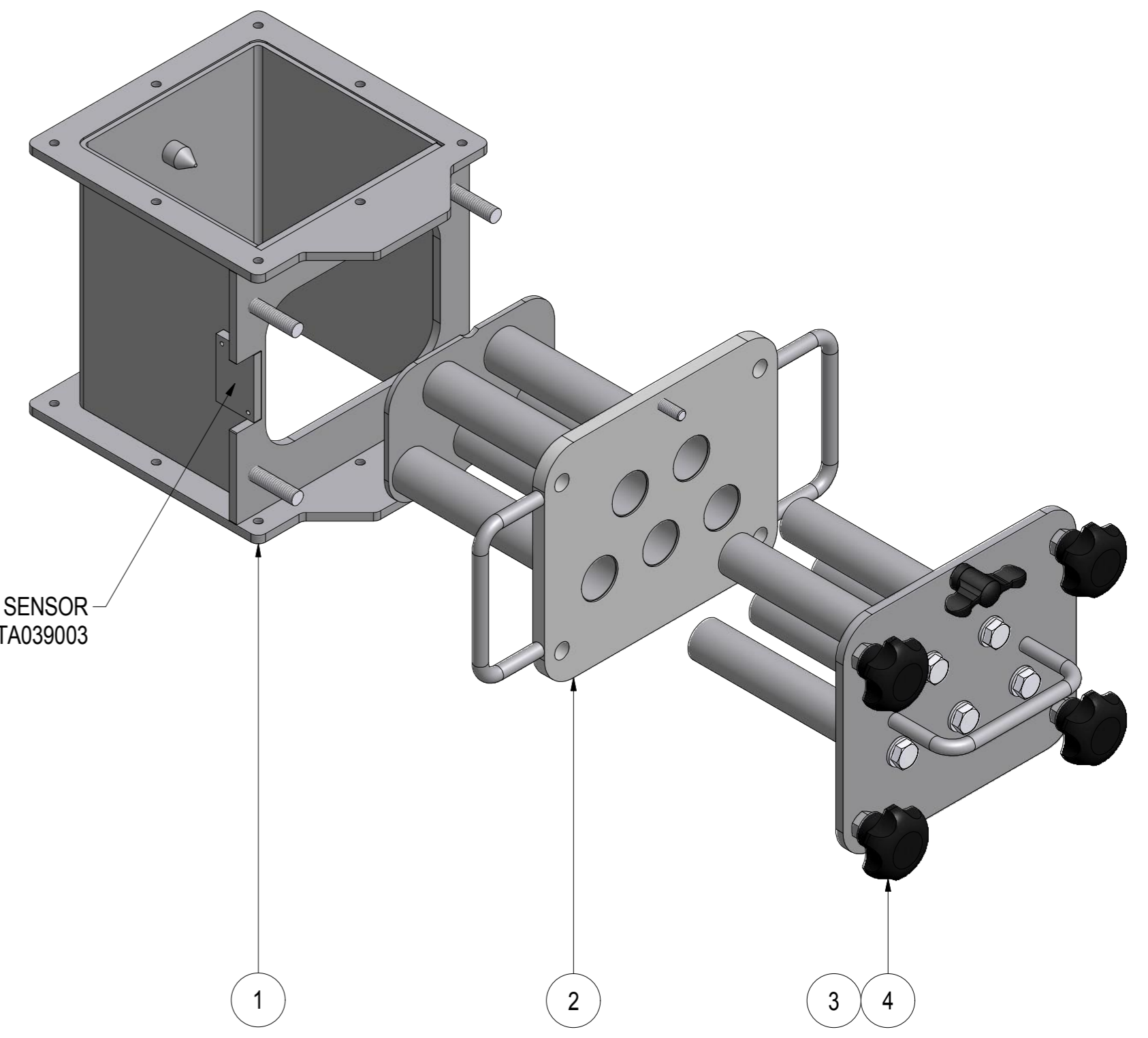
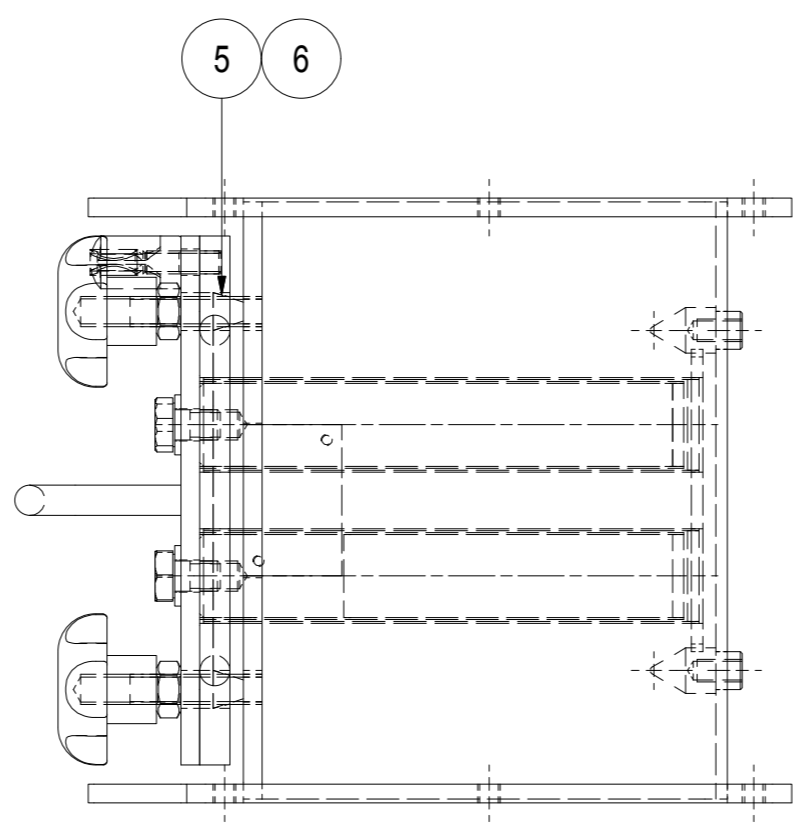
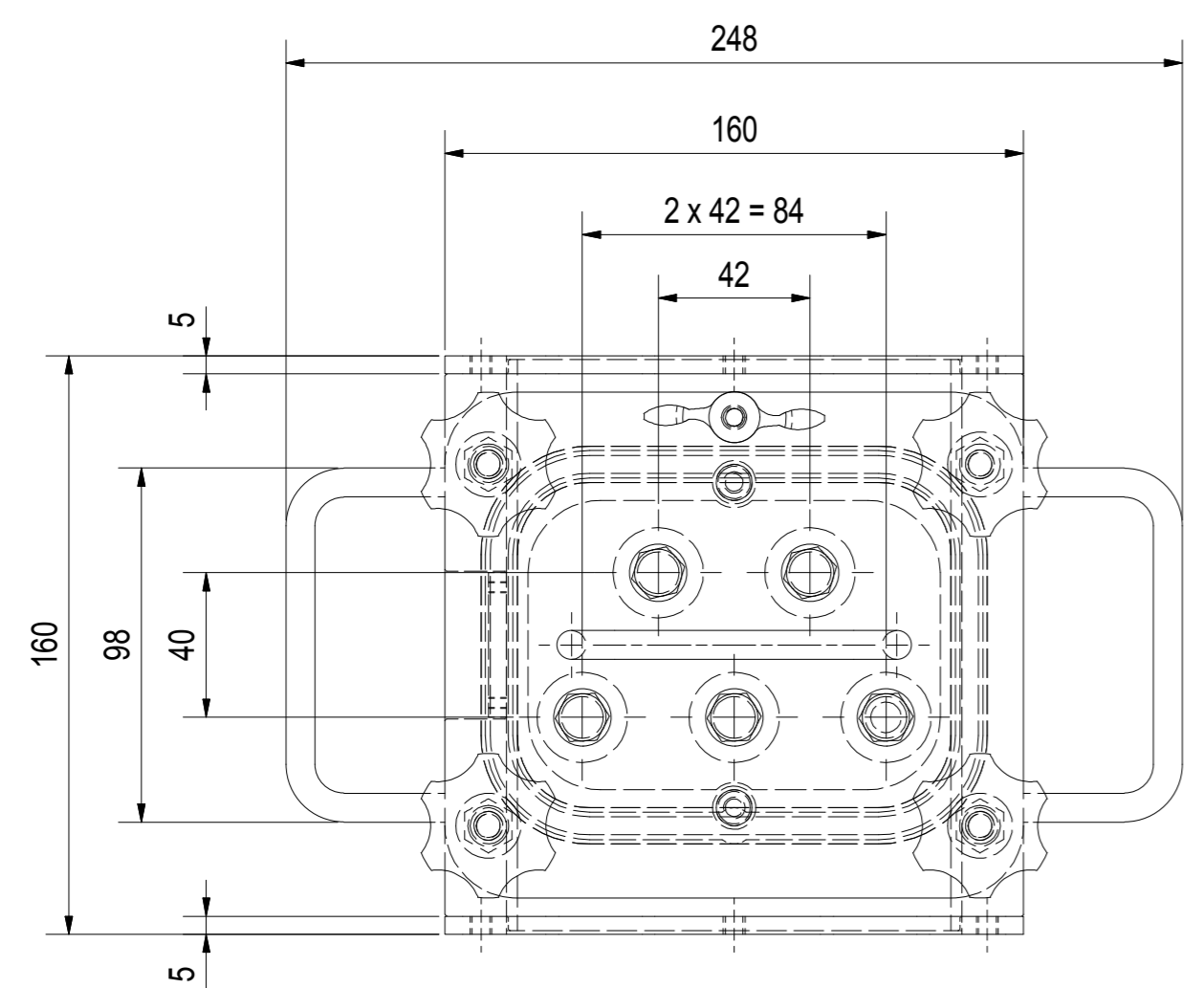
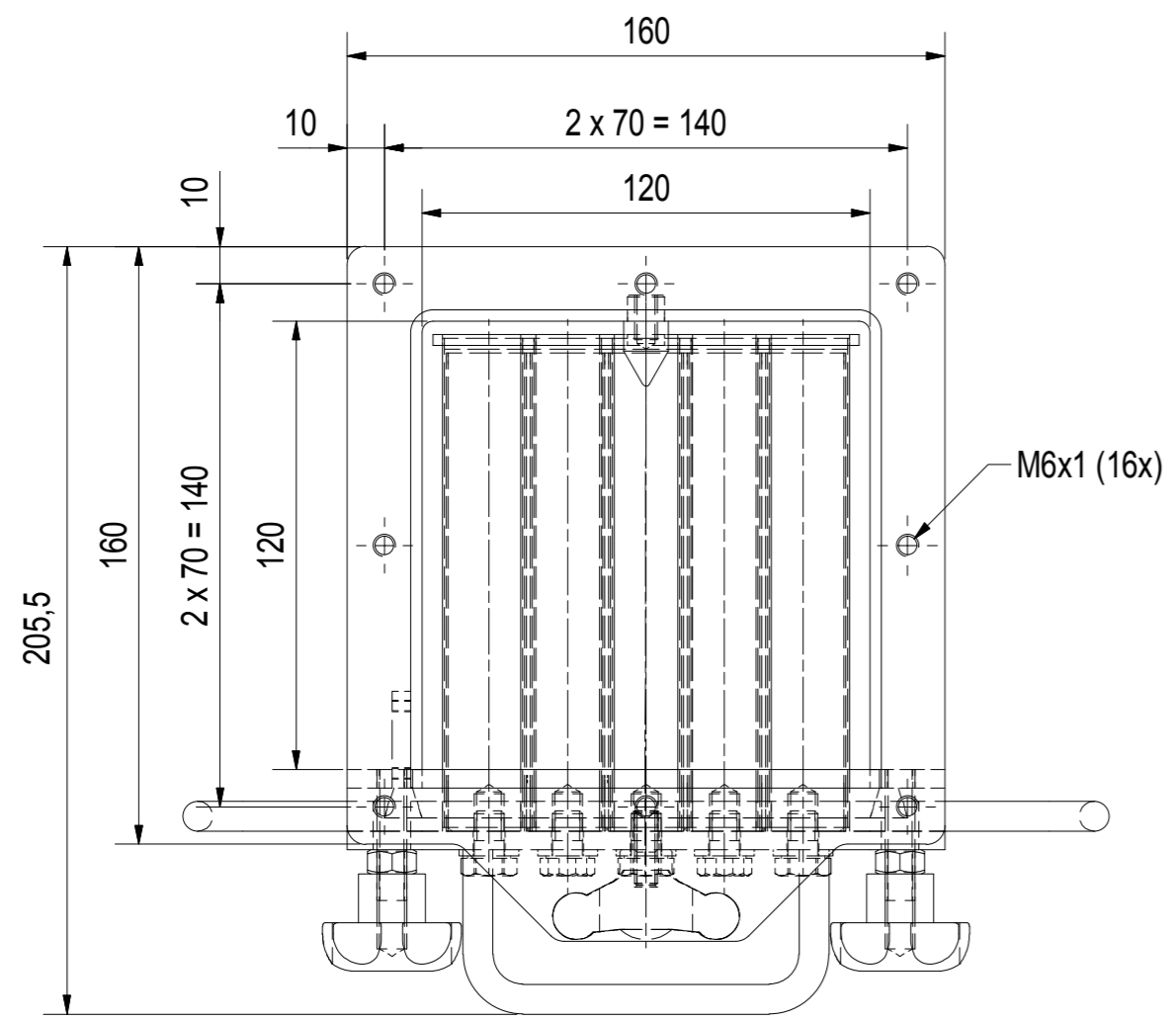


6	DATE	BY	DESCRIPTION
A	31-10-2012	CR	REFERENCE DRAWING SECFP10030



ITEM	QTY	PART NUMBER	DESCRIPTION	DIMENSIONS
6	1	1245.10042	SILICONE TRAP 10x8x5 FDA WHITE	417 mm
5	1	1240.90023	SILICONE TRAP 10x8x5 FDA RED	417 mm
4	4	1005.10014	KNOP STER M8 BAKELITE	
3	4	60.0100008	NUT HEX M08 St8 ZN PL	
2	1	A250769	GRID CFP120 NDFEB D23/25 304L	
1	1	A250768	HOUSE CLEAN-FLOW CFP120 IFM	

Scale: 1:2	Sheet: A2	General tolerance: ISO 2768 mK
Date: 31-10-2012	Drawn: CR	Unit: st
Drawn according to: ISO268 ISO1101 ISO2553		GOUDSMIT MAGNETIC SYSTEMS
© All rights reserved. Reproduction is not permitted without written permission of GOUDSMIT Magnetic Systems BV		
Description: CFP #120 DUST TIGHT NdFeB		Lookup: CFP120
		Artnr: SECFP12030
		Rev: A