



## baelz 373-E07

### DESCRIPTION

Motorized linear actuator for control operation For control valves up to DN125.

### TECHNICAL SPECIFICATIONS

Environmental parameters:

Temperature: 0 ... +50°C

Relative humidity: 0 ... 75%

Stroke:

12, 16, 22 mm

Cover: plastic

1 cable inlet M16x1.5 (plastic)

2 locking screws for cable inlet M16x1.5 (plastic)

Manual operation

Yoke options:

Aluminum yoke for valves DN15 ... DN125

S21 - for fittings with Ø 10 mm spindle

S21L - for fittings with Ø 16 mm spindle

Type baelz 373	Weight (kg)	Power (N)	Speed (mm/min)		Power (VA)	Supply voltage	IP rating
			50 Hz	60 Hz			
E07-20-06-S21/L	2.2	2000	6	7.2	4.1	230 V, 115 V, 24 V 50/60 Hz	IP 42*
E07-20-18-S21/L	2.2	2000	18	21.7	11.7		
E07-70-130-S21/L	2.2	700	130	156	11.7		

\* - IP 65 can be ordered if manual operation is not required

Option / Supplement	Description	Remarks
2EZ-V2	2 limit switches with position indicator	
Mf-FgA	Multiturn potentiometer	A = 200 Ω, 5 kΩ, 1 kΩ. Please specify resistance when ordering.
2EZ-V2-FgA	2 limit switches with position indicator and feedback potentiometer	
1020-24	Positioner built into baelz 373-E07. Supply: 24 V 50/60 Hz	Input and (where applicable) output signal can be selected. Please specify 0/2...10 or 0/4...20 mA when ordering. Default is 0...10 V  The actuator must be fitted with a 5 kΩ potentiometer!
1020-230	Positioner with transformer for 230 V, 50/60Hz	
1020-115	Positioner with transformer for 115 V, 50/60Hz	
1020-i	Positioner + spindle position output signal	
1020-i-F	Output signal + frost-protection relay	
1020-i-H	Output signal + manual operation	
1020-F	Frost-protection relay	
1020-H	Manual operation	
7164	Built-in microprocessor controller	Including potentiometer 1-5 kΩ
7020	Digital positioner	Actuator must be equipped with 5 kΩ feedback potentiometer
MP373-E07-S21-L	Yoke construction for fittings with spindle-Ø 16 mm	Supplement on top of basic price of 373-E07...S21
MP373-E07-Silf	Silicone-free version	
MP373-E07-KT9992	Mechanical valve travel limits	
MP373-E07-RH	Locking manual override	
MP373-E07-IP65	Ingress protection rating: IP65	
MP373-E07-2RC	2 additional RC snubbers	Fitted in actuator E07..., 230 V



baelz 7164

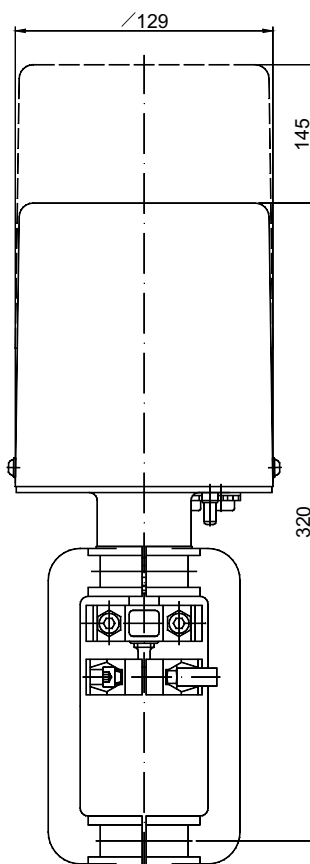
**Integrated positioners for baelz 373-E07:**  
 baelz 7164 - microprocessor-based controller  
 baelz 7020 - digital positioner

See section: 3.4 Built-in Controllers for Electric Actuators

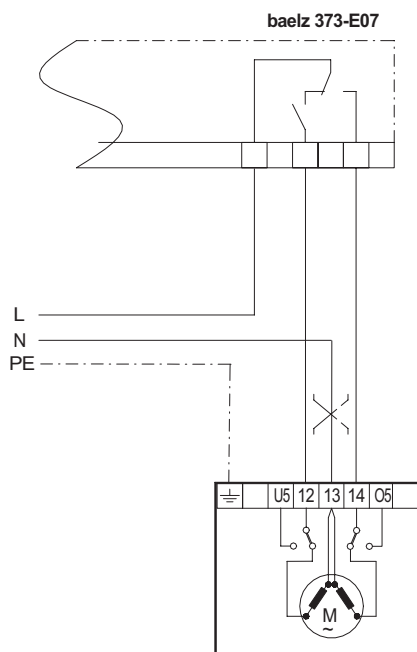


baelz 7020

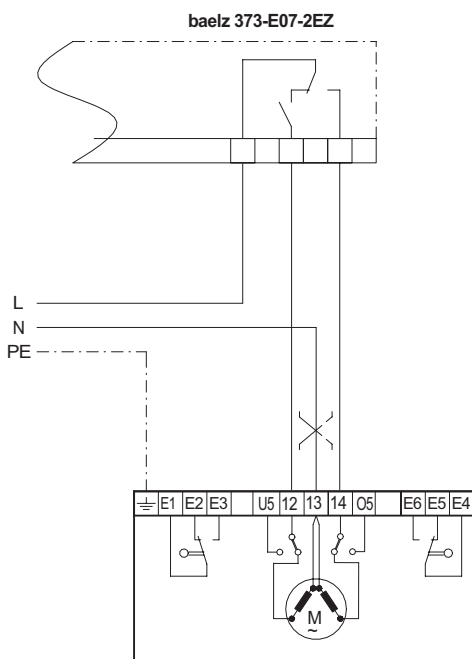
Dimensions  
 baelz 373-E07 (mm)



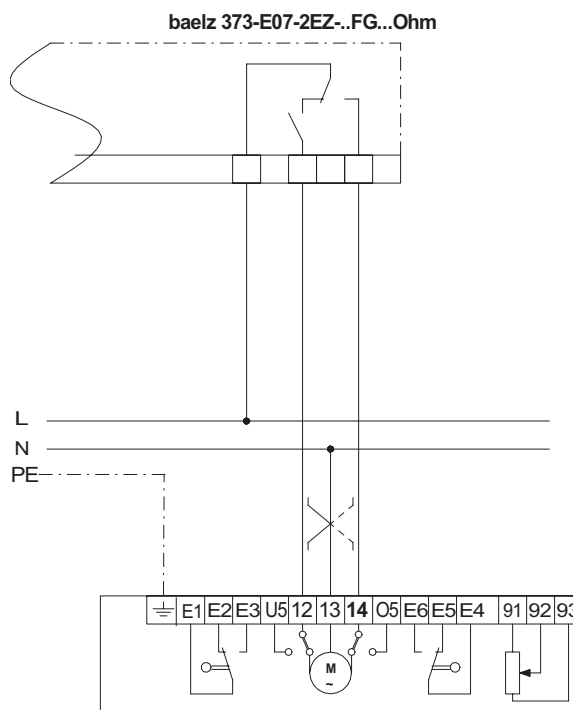
Wiring diagram, basic version



With additional limit switches

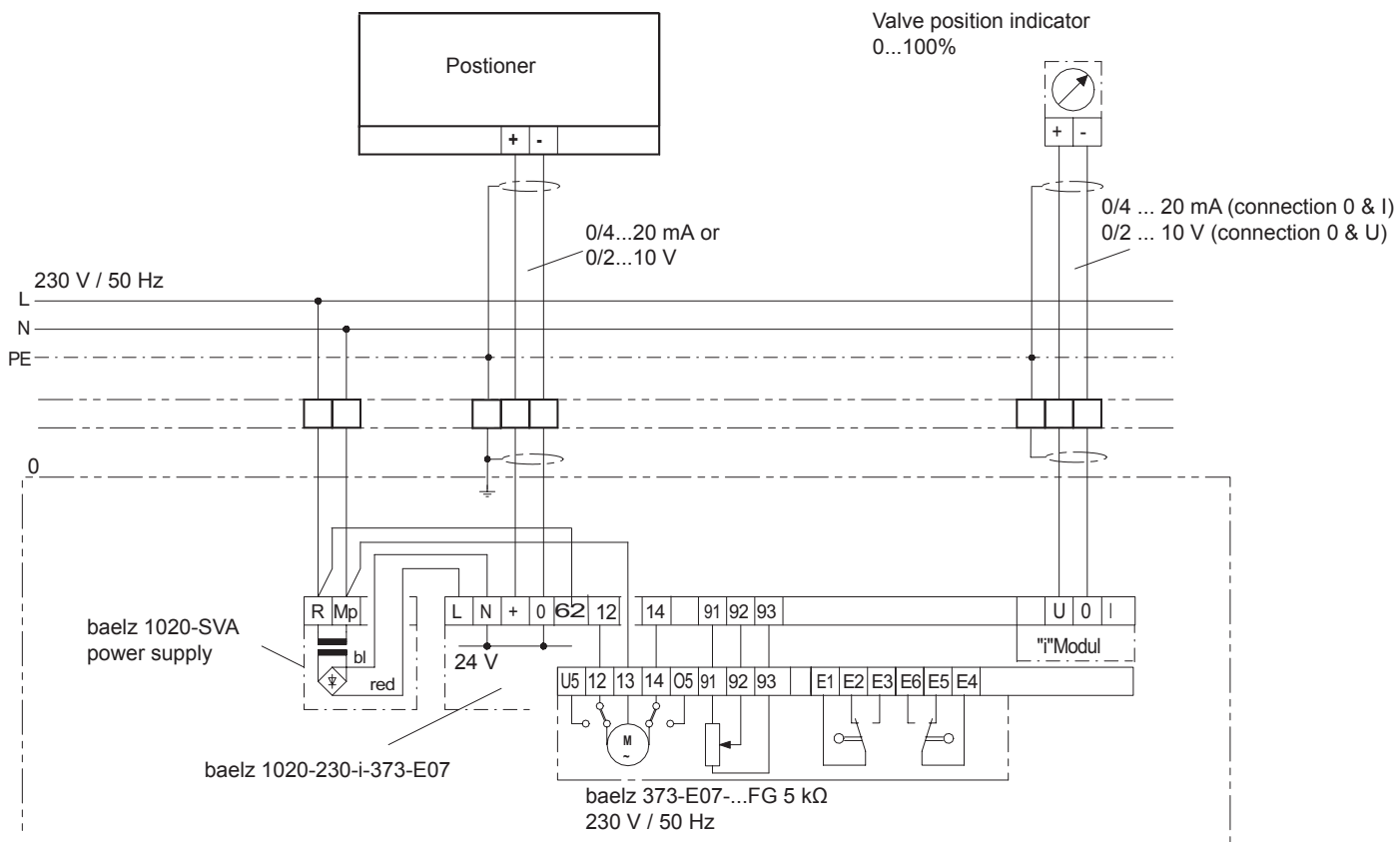


With additional limit switches and feedback potentiometer



373-E07-20-18-S21-2EZ-V2-Fg

With baelz 1020 230/50 Hz electric positioner



With baelz 1020 24/50 Hz electric positioner

