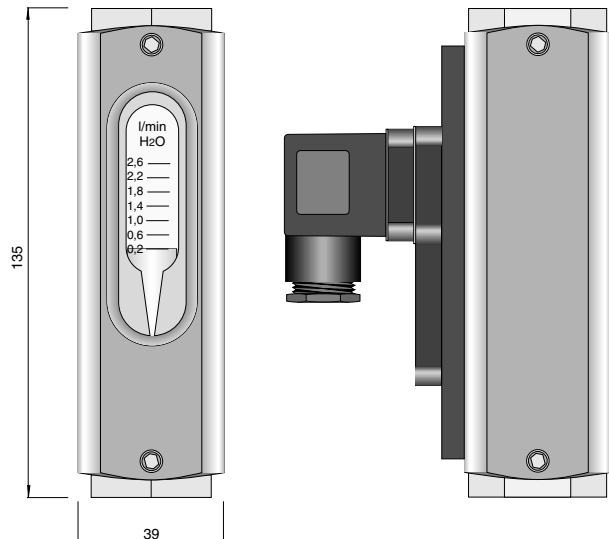


FLOW MONITOR

Flow Monitors

The „Krille“ flow monitor protects machines, equipment and industrial plants securely and reliably, where a constant minimum flow of liquid is indispensable. The flow monitor controls water circulation, flow and cooling systems. KRILLE'S Technique The flow monitor works on the principal of a suspended piston flow indicator, independent of pressure. The piston contains magnets. The reed contact is separated from the flow circuit in an adjustable switchcase. The flow monitor's reliability is due to physical rules of gravity and magnetism. The monitor contains no parts such as springs, levers, membranes etc., and therefore needs no costly or frequent maintenance. The above principal requires that the monitor be installed in a vertical position. - Liquid flow is from bottom to top -



Type "BO" with additional optical indicator. The depth of the switchcase is 52,5 mm.
Max. Temperature: + 120°C (+ 160°C available)
Max. Pressure: 16 bar

Type "BM" - as flow monitor BO but without additional optical indicator. The depth of the switchcase is 52,5 mm.
Max. Temperature: + 120°C Max. Pressure: 85 bar

Type	Regularity H ₂ O l/min	Thread standard	option	Dimension h x b x d	Material Casing	Medium contacting glass	parts	Max. pressure bar	Note
○ BO-1-1/4MS	0,2 - 1,0	1/4	(1/2)	135x39x92	Al	duranglas	Ms*	16	1
○ BO-2-1/4MS	0,2 - 2,5	1/4	(1/2)	135x39x92	Al	duranglas	Ms*	16	1
○ BO-6-1/2MS	1,0 - 6,0	1/2	(1/4)	135x39x92	Al	duranglas	Ms*	16	1
○ BO-10-1/2MS	2,0 - 10,0	1/2	(1/4)	135x39x92	Al	duranglas	Ms*	16	1
BO-10-1/2E	2,0 - 10,0	1/2	(1/4)	135x39x92		duranglas	SUS316	16	2
○ BO-16-1/2MS	2,0 - 16,0	1/2	(3/4)	163x39x92	Al	duranglas	Ms*	16	1
○ BO-50-3/4MS	5,0 - 50,0	3/4	(1)	183x45x98	Al	duranglas	Ms*	16	1
BM-1-1/4MS	0,1 - 0,9	1/4	(1/2)	134x30x83	Ms	-	Ms	85	1
BM-2-1/4MS	0,2 - 2,5	1/4	(1/2)	134x30x83	Ms	-	Ms	85	1
BM-6-1/2MS	1,0 - 6,0	1/2	(1/4)	134x30x83	Ms	-	Ms	85	1
BM-10-1/2MS	2,0 - 10,0	1/2	(1/4)	134x30x83	Ms	-	Ms	85	1
BM-16-1/2MS	2,0 - 16,0	1/2	(3/4)	147x30x83	Ms	-	Ms	85	1
BM-50-3/4MS	5,0 - 50,0	3/4		184x36x89	Ms	-	Ms	85	1

Standard (NO): 100VA, 400V, 3A. resistive load.

1) Washer Perbunan

2) Medium contacting parts Duranglas, Pure steel 1.4571(V4A) and washer in Viton.

Ms*) Brass with nickel.