



- A PART OF ADDTECH GROUP

## DATA SHEET

Customer:	
Ref.:	
Order:	
Motor:	
Serial nr:	
Date:	09-04-2019

### ASYNCHRONOUS MOTOR 4A2 132S2-2

#### Nameplate data:

Code: 116003

Type:	4A2 132S2-2			IP55	F/B	Amb. temp.: Max. 40°		
kW	Hz	V	A	Rpm	Cos	Eff.	Duty	IE.class
7,50	50	400D	13,8	2910	0,88	88,1%	S1	IE2
7,50	50	690 Y	8,0	2910	0,88	88,1%		
9,00	60	460 D	14,4	3492	0,88	88,1%		

#### Description:

Mounting form:	B5
Bearing DE:	6308-2Z/C3
Bearing NDE:	6308-2Z/C3
Weight - Kg.:	46
Heater:	No Heater
PTC:	PTC mounted
Kgm <sup>2</sup> :	0,0126
Sound press.-db(A):	69,0

#### Other:


#### Test data S1-duty, Amb.temp 40°C:

Voltage - V:	400
Frequency - Hz:	50
Power - kW:	7,50
Full load speed - Rpm:	2910
Full load current - A:	13,80
Full load power factor - Cos:	0,88
Locked rotor current - A:	106,3
Locked rotor factor - A <sub>st</sub> /A <sub>n</sub> :	7,7

Efficiency 100% load - %:	88,1%
Efficiency 75% load - %:	88,6%
Efficiency 50% load - %:	86,3%
Full load torque - Nm:	24,6
Locked rotor torque - Nm:	54,2
Locked rotor torque - Nm <sub>st</sub> /Nm <sub>n</sub> :	2,2
Max. Pull out torque - Nm:	56,6
Max. Pull out torque. - Nm <sub>st</sub> /Nm <sub>n</sub> :	2,3

Over load/speed test	kW	Hz	V	A	Rpm
Over load 160% - 15sec.	12,00	50	400	22,08	2910
Over speed 125% - 2 min.	7,5	63	400	13,80	3638
H-Pot test voltage: 1800V			Temp. rise in stator:		

The motor is produced in accordance with following harmonized standards:

IEC60034-1, IEC60034-2, IEC60034-5, IEC60034-6, IEC60034-7, IEC60034-8, IEC60034-9  
IEC60034-12, IEC60034-14, IEC60034-30, IEC60072.

Additional specifications in accordance with:

RINA - GL - LRS - BV - DNV - ABS - KR - RR - CCS - CCC - RMRS.

#### Bevi Group:

BEVI AB, Sweden  
BEVI A/S, Denmark  
BEVI Norge A/S, Norway  
BEVI Finland OY AB, Finland  
BEVI UAB, Lithuania  
BEVI CHINA, China

www.bevi.se  
www.bevi.dk  
www.bevi.no  
www.bevi.fi  
www.bevi.lt  
www.bevi.cn

sales@bevi.se  
bevi@bevi.dk  
info@bevi.no  
info@bevi.fi  
info@bevi.lt  
sales@bevi.cn

+46 499 271 00  
+45 39 67 36 05  
+47 22 07 66 50  
+358 9 2709 1210  
+370 5 2611 112  
+86 21 5032 5200

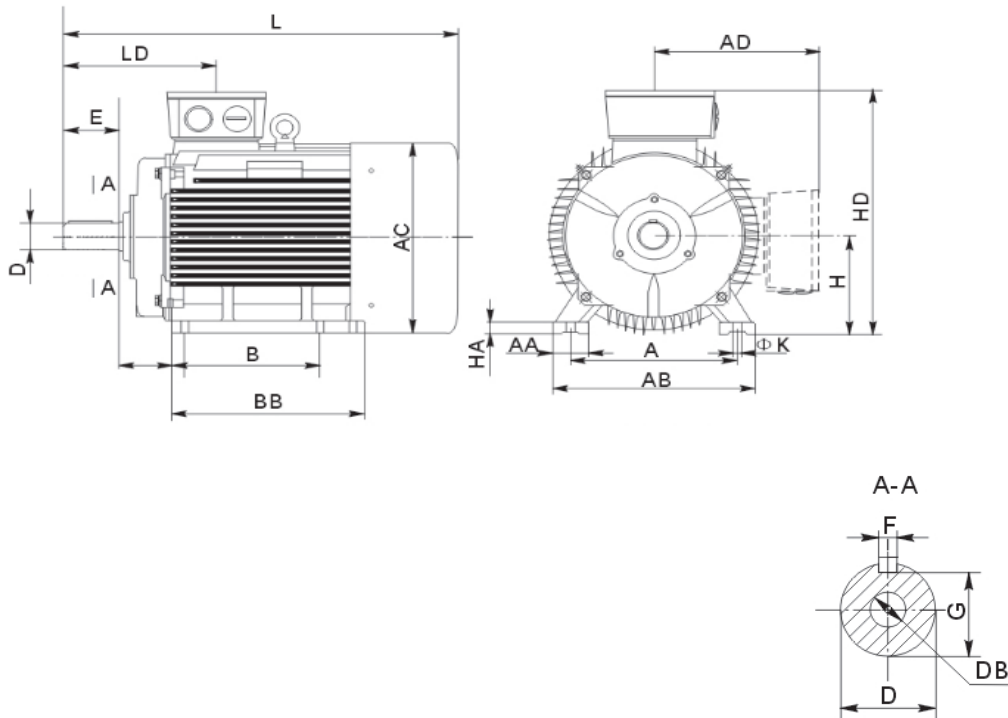


- A PART OF ADDTECH GROUP

## DATA SHEET

Customer:	
Ref.:	
Order:	
Motor:	
Serial nr:	
Date:	09-04-2019

### Foot mounted motor 4A2 132S2-2 B3



A: 216	HD: 330	E: 80
B: 140	C: 89	D: 38
AB: 262	H: 132	G: 33
AC: 257	K: 12	DB: M12
AD: 198	L: 460	F: 10
LD: 179	L (V1): 510	

#### Bevi Group:

BEVI AB, Sweden  
 BEVI A/S, Denmark  
 BEVI Norge A/S, Norway  
 BEVI Finland OY AB, Finland  
 BEVI UAB, Lithuania  
 BEVI CHINA, China

www.bevi.se  
 www.bevi.dk  
 www.bevi.no  
 www.bevi.fi  
 www.bevi.lt  
 www.bevi.cn

sales@bevi.se  
 bevi@bevi.dk  
 info@bevi.no  
 info@bevi.fi  
 info@bevi.lt  
 sales@bevi.cn

+46 499 271 00  
 +45 39 67 36 05  
 +47 22 07 66 50  
 +358 9 2709 1210  
 +370 5 2611 112  
 +86 21 5032 5200

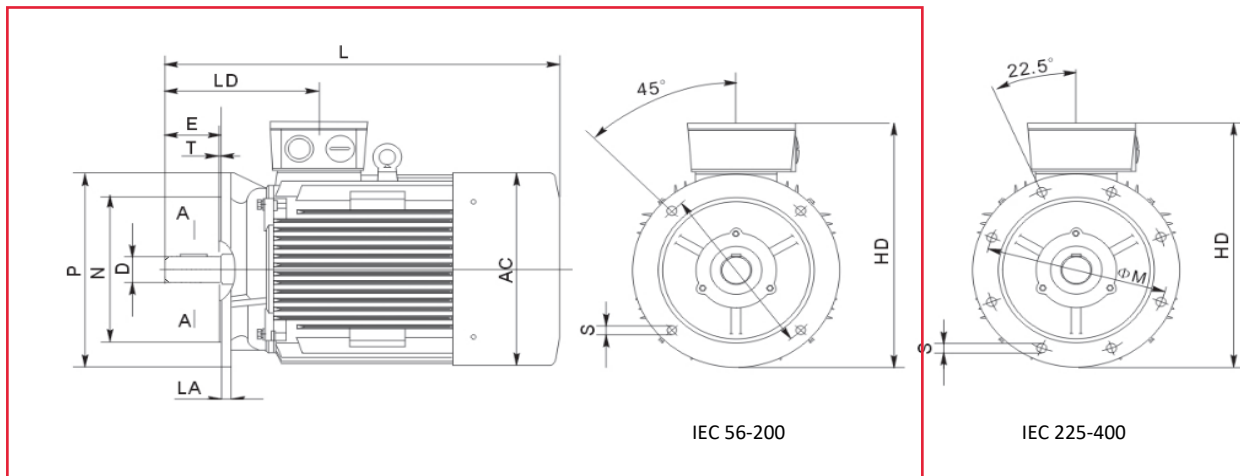


- A PART OF ADDTECH GROUP

## DATA SHEET

Customer:	
Ref.:	
Order:	
Motor:	
Serial nr:	
Date:	09-04-2019

### Flange mounted motor 4A2 132S2-2 B5



M: 265	HD: 330	E: 80
N: 230	L: 460	D: 38
P: 300	L (V1): 510	G: 33
S: 15	LD: 179	DB: M12
		F: 10

#### Bevi Group:

BEVI AB, Sweden  
 BEVI A/S, Denmark  
 BEVI Norge A/S, Norway  
 BEVI Finland OY AB, Finland  
 BEVI UAB, Lithuania  
 BEVI CHINA, China

www.bevi.se  
 www.bevi.dk  
 www.bevi.no  
 www.bevi.fi  
 www.bevi.lt  
 www.bevi.cn

sales@bevi.se  
 bevi@bevi.dk  
 info@bevi.no  
 info@bevi.fi  
 info@bevi.lt  
 sales@bevi.cn

+46 499 271 00  
 +45 39 67 36 05  
 +47 22 07 66 50  
 +358 9 2709 1210  
 +370 5 2611 112  
 +86 21 5032 5200

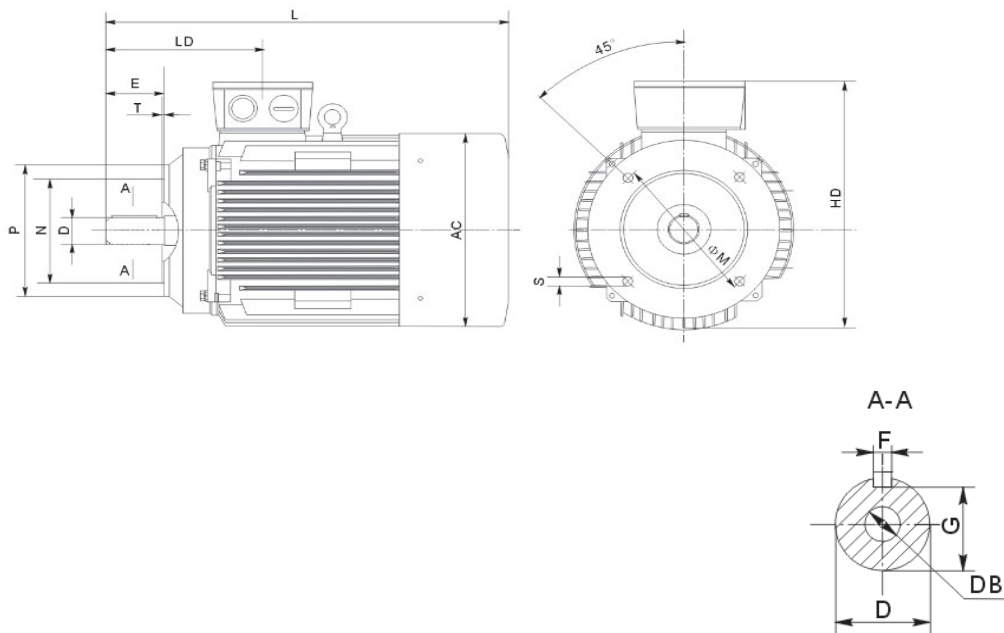


- A PART OF ADDTECH GROUP

## DATA SHEET

Customer:	
Ref.:	
Order:	
Motor:	
Serial nr:	
Date:	09-04-2019

### Flange mounted motor 4A2 132S2-2 B14A + (B14B)



#### Flange type: B14A

M: 165  
N: 130  
P: 200  
S: M10

#### B14B

215  
180  
250  
M12

HD: 330  
L: 460  
L (V1): 510  
LD: 179

E: 80  
D: 38  
G: 33  
DB: M12  
F: 10

#### Bevi Group:

BEVI AB, Sweden  
BEVI A/S, Denmark  
BEVI Norge A/S, Norway  
BEVI Finland OY AB, Finland  
BEVI UAB, Lithuania  
BEVI CHINA, China

www.bevi.se  
www.bevi.dk  
www.bevi.no  
www.bevi.fi  
www.bevi.lt  
www.bevi.cn

sales@bevi.se  
bevi@bevi.dk  
info@bevi.no  
info@bevi.fi  
info@bevi.lt  
sales@bevi.cn

+46 499 271 00  
+45 39 67 36 05  
+47 22 07 66 50  
+358 9 2709 1210  
+370 5 2611 112  
+86 21 5032 5200

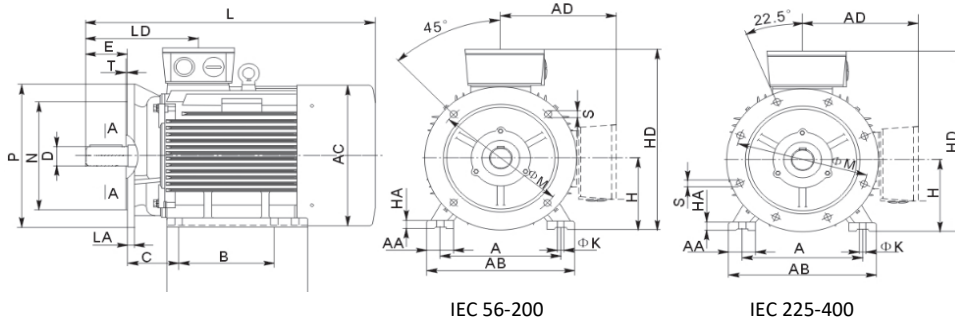


- A PART OF ADDTECH GROUP

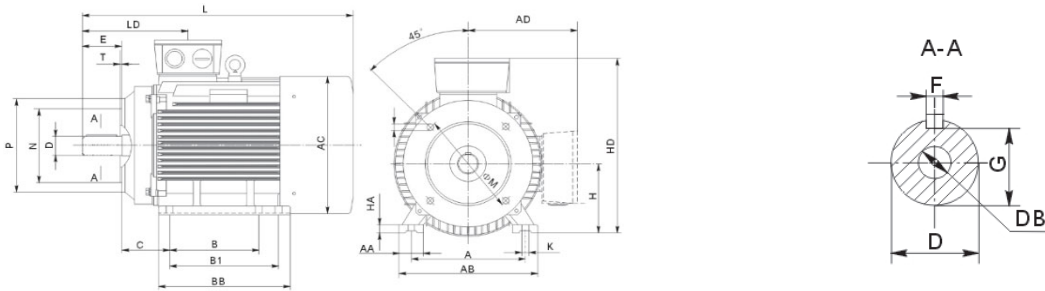
## DATA SHEET

Customer:	
Ref.:	
Order:	
Motor:	
Serial nr:	
Date:	09-04-2019

### Foot & flange mounted motor 4A2 132S2-2 B3/B5



### 4A2 132S2-2 B14A + (B14B)



#### Flange type: B5

M: 265  
N: 230  
P: 300  
S: 15

A: 216  
B: 140  
AB: 262  
AC: 257  
AD: 198  
LD: 179

#### B14A

M: 165  
N: 130  
P: 200  
S: M10

HD: 330  
C: 89  
H: 132  
K: 12  
L: 460  
L (V1): 510

#### (B14B)

M: 215  
N: 180  
P: 250  
S: M12

E: 80  
D: 38  
G: 33  
DB: M12  
F: 10

#### Bevi Group:

BEVI AB, Sweden  
BEVI A/S, Denmark  
BEVI Norge A/S, Norway  
BEVI Finland OY AB, Finland  
BEVI UAB, Lithuania  
BEVI CHINA, China

www.bevi.se  
www.bevi.dk  
www.bevi.no  
www.bevi.fi  
www.bevi.lt  
www.bevi.cn

sales@bevi.se  
bevi@bevi.dk  
info@bevi.no  
info@bevi.fi  
info@bevi.lt  
sales@bevi.cn

+46 499 271 00  
+45 39 67 36 05  
+47 22 07 66 50  
+358 9 2709 1210  
+370 5 2611 112  
+86 21 5032 5200