

PEW / PES

Signal Light



LED



85dB/m

Electronic Sound 1

Ø82

IP55

NPN
Open collector

PES: IP55 with rubber gasket SZ-210 (IP23 without)
PEW: IP54 (IP23 without lead wire)

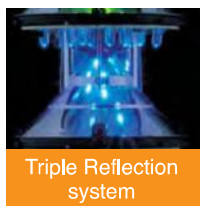


Dome-type LED Signal Light featuring enhanced visibility and maintenance-free operation.

- Newly Developed Triple-reflection System: For enhanced visibility and low power consumption.
- Flashing Cycles: 3 patterns — 60/120/180 fpm, selectable by a switch.
- FB type: Built-in audible alarm with adjustable volume up to 85dB (at 1m) for PEW-B type.
- Maintenance-free: LED's power consumption is approx. half of incandescent bulb type (100V/200V AC).
- Installation: Indoors—upright, inverted, sideways; Outdoors—upright only.
- Dome: Superior weather-resistant and light translucent acrylic resin.
- PEW: IP54 (IP23 without lead wires); PES: IP55 (with optional rubber gasket SZ-210, IP23 without).
- CE Compliance: AC/DC 24V type ONLY.
- Available Colors: Red, Amber, Green, Blue.

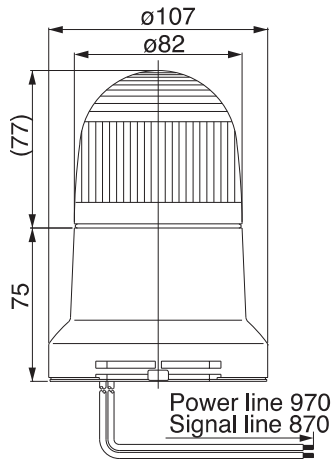
Available Special Order

- Silver Body.
- IP65: PEW type only.
- UL type (E215660).

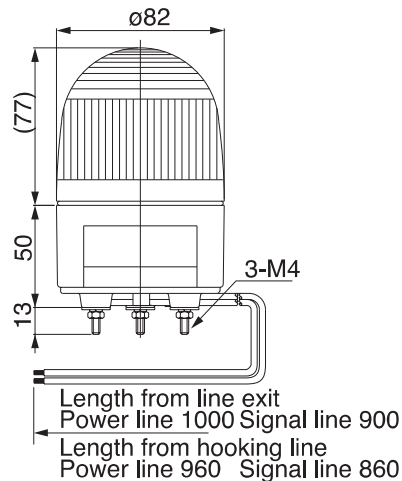


Dimensions (PEW,PES)

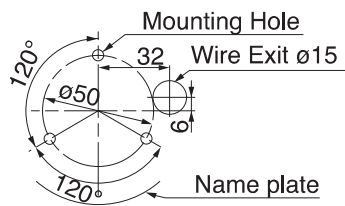
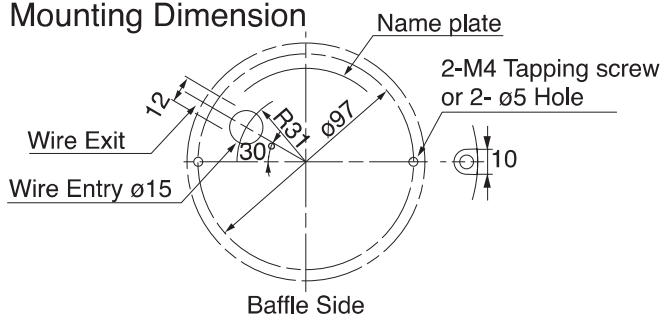
PEW



PES



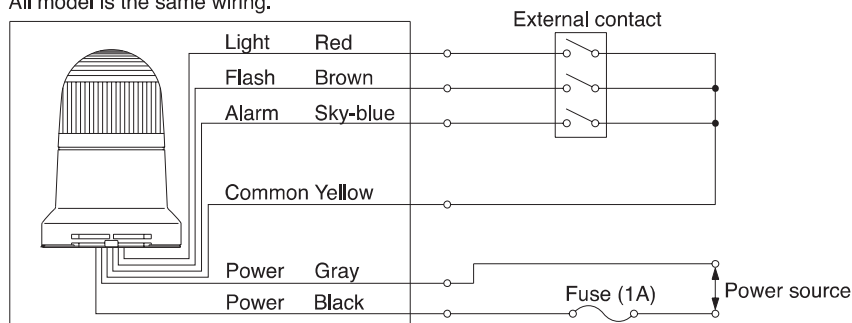
Mounting Dimension



(Unit : mm)

Wiring Diagram

All model is the same wiring.



* Skyblue line exists on buzzer type only.

Transistor Operation Example

Transistor	NPN	Voltage proof	$V_c \geq 35V$
Current capacity	$I_c \geq 100mA$	Current leak	$I_L \leq 1mA$

PEW/PES type

Model	Rated Voltage	Power Consumption	Frequency of flash	Mass
PEW-24 R/Y G/B	AC/DC24V	2.5W	Approx. 180 times/minute	0.32kg
PES-24 R/Y G/B		1.5W		0.24kg
PEW-24B R/Y G/B		2.5W		0.34kg
PEW-100 R/Y G/B	AC100V	5.8W	Approx. 120 times/minute	0.52kg
PES-100 R/Y G/B		3.3W		0.43kg
PEW-100B R/Y G/B		5.8W		0.54kg
PEW-200 R/Y G/B	AC200V	5.6W	Approx. 60 times/minute	0.52kg
PES-200 R/Y G/B		3.2W		0.43kg
PEW-200B R/Y G/B		5.6W		0.54kg

How to order

