

---

**STAINLESS STEEL PNEUMATIC TURBINE VIBRATORS**

---

**MODEL GT SS**

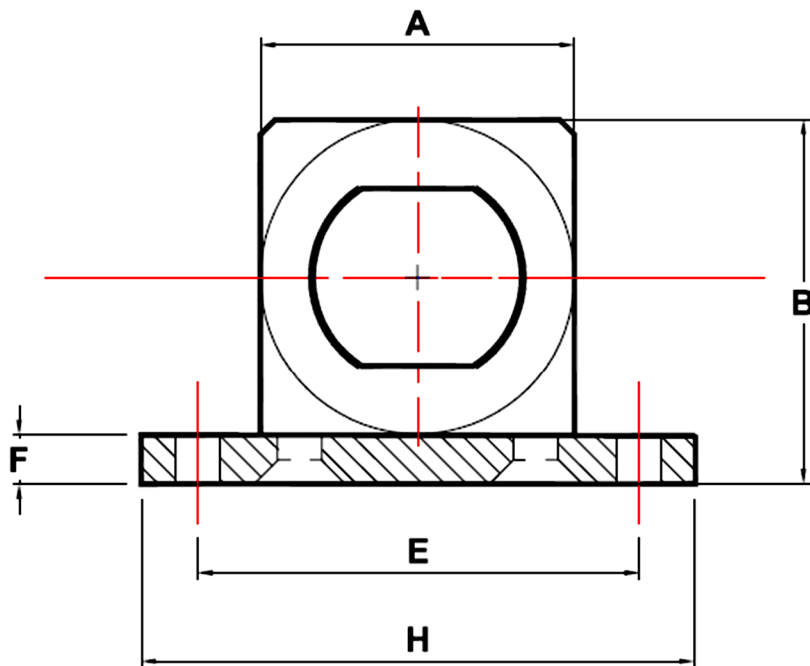
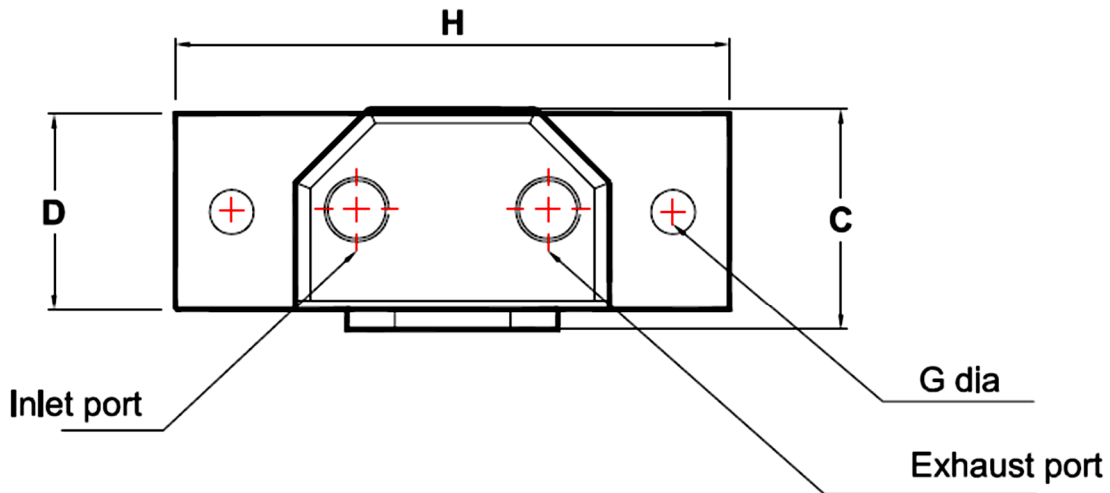
- Stainless Steel
- Rotary Vibrator
- No Lubrication
- Force 583 N to 3581 N
- Suitable for temperature up to 150°C
- Noise level 60—70 dBA with silencer fitted

On request can be supplied with ATEX certification  
To ATEX 95 94/9/EC  II 2 G & D Zone 1, 2 & 21, 22

20 CECIL PASHLEY WAY, SHOREHAM AIRPORT, SHOREHAM, BN43 5FF, ENGLAND

Tel. +44(0) 1273 430977 Fax. +44 (0) 1273 430978

Web. [www.vibtec.com](http://www.vibtec.com) E-mail. [sales@vibtec.com](mailto:sales@vibtec.com)



**PERFORMANCE DATA**

Type	Frequency V.P.M.			Centrifugal Force						Air Consumption / Minute					
	2 Bar 29 PSI	4 Bar 58 PSI	6 Bar 87 PSI	2 Bar N	29 PSI lbs	4 Bar N	58 PSI lbs	6 Bar N	87 PSI lbs	2 Bar Litr	29 PSI CF	4 Bar Litr	58 PSI CF	6 Bar Litr	87 PSI CF
<b>GT10SS</b>	27500	35000	37500	583	131	946	212	1086	243	46	1.6	80	2.8	112	3.9
<b>GT16SS</b>	17000	21500	24000	1103	247	1764	396	2198	493	120	4.2	200	7.0	290	10.2
<b>GT25SS</b>	12000	15500	17000	1784	400	2977	667	3581	803	185	6.6	325	11.4	455	15.9

**DIMENSIONS**

Model	A mm	B mm	C mm	D mm	E mm	F mm	G Dia mm	H mm	Inlet Port	Ex Port	Weight Kgs
<b>GT10SS</b>	49	55	38.1	30	68	6	7	86	1/8" BSP	1/8" BSP	0.625
<b>GT16SS</b>	64	74	45.5	40	90	10	9	113	1/4" BSP	1/4" BSP	1.307
<b>GT25SS</b>	78	88	55.5	50	104	10	9	128	1/4" BSP	1/4" BSP	2.284

Data obtained on a heavy laboratory test block. Frequency and force will decrease on a less rigid mounting while the noise level will increase.