

# C DC PUMPS CARRY



**EN.** Pump transport system. Consists of a sturdy handle that allows you to move pumps safely. The pump can be fitted with a kit to fully and quickly fill the handle, hose, cables and nozzle.

**ES.** Sistema para transporte de bombas. Consiste de un mango robusto que permite desplazar las bombas con seguridad. La bomba se puede equipar con un kit para la operación completa y rápida de repostaje usando el mango, tubo, alambre y la pistola

**PT.** Sistema para o transporte das bombas. Consiste numa resistente pega que permite deslocar as bombas com segurança. A bomba pode estar equipada com um kit para o reabastecimento rápido composto por pega, tubo, cabos e pistola.

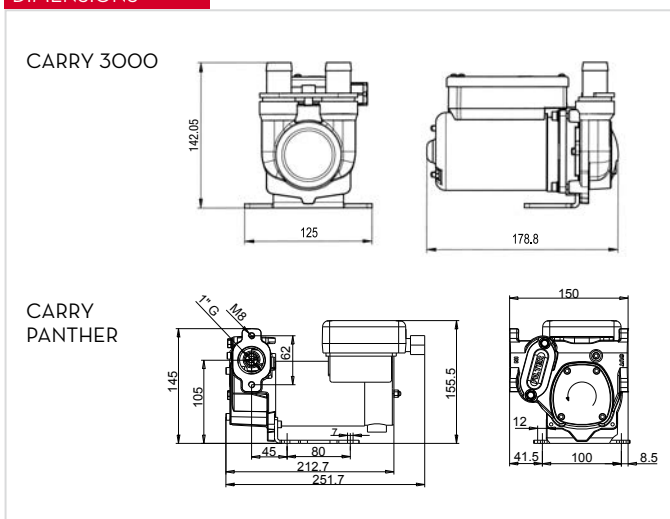
## PERFORMANCE

- Flow rate up to 80 l/min
- 12/24 V operation
- Duty cycle 30 min.

- Caudal de hasta 80 l/min.
- Versiones 12V y 24V
- Ciclo de trabajo de 30 min.

- Taxa de fluxo até 80 l/min
- Funcionamento 12/24 V
- Ciclo de trabalho 30 min.

## DIMENSIONS



## PRODUCTS' RANGE WEIGHT AND PACKAGING

Code	Weight		Packaging		
	kg	lbs	mm	inch	pcs/box
<b>F0022300C</b>	4,2	9,3	260x235x164	10,2x9,3x6,5	1
<b>F0022400C</b>	4,2	9,3	260x235x164	10,2x9,3x6,5	1
<b>F00223260</b>	4,2	9,3	260x235x164	10,2x9,3x6,5	1
<b>F00224240</b>	4,2	9,3	260x235x164	10,2x9,3x6,5	1
<b>F0034004B</b>	9,1	20,1	345x175x255	13,6x6,9x10	1
<b>F0034104C</b>	9,1	20,1	345x175x255	13,6x6,9x10	1

Flow-rate

up to  
**70** l/min  
(up to 18 gpm)



**PIUSI**<sup>®</sup>

CARRY 3000 inline



With 2 m cable length

CARRY PANTHER



With cable length 2 m

PRODUCTS' RANGE TECHNICAL DATA

Code	Description	Fluids type	Flow-rate		Voltage			Fuse Amp.	rpm	Duty cycle min.	Max working pressure bar.	Input Output BSP	On/off switch
			l/min	gpm	DC Volt	Power Watt	Amp. max.						
F0022300C	Carry 3000 12V	D	50	13	12	300	22	25	2900	30	1,5	-	YES
F0022400C	Carry 3000 24V / 12V	D	50/30	13/6	24/12	310/80	13/6,5	15	2900/1500	30	1,5	-	YES
F00223260	Carry 3000 inline 12V	D	50	13	12	300	22	25	2900	30	1,5	3/4"	YES
F00224240	Carry 3000 inline 24V	D	50/30	13/6	24/12	310/80	13/6,5	15	2900/1500	30	1,5	3/4"	YES
F0034004B	Carry Panther 12V	D	56	15	12	420	35	-	2900	30	-	1"	YES
F0034104C	Carry Panther 12/24V	D	35/70	9/18	12/24	600/200	25/16	-	3500/1800	30	-	1"	YES