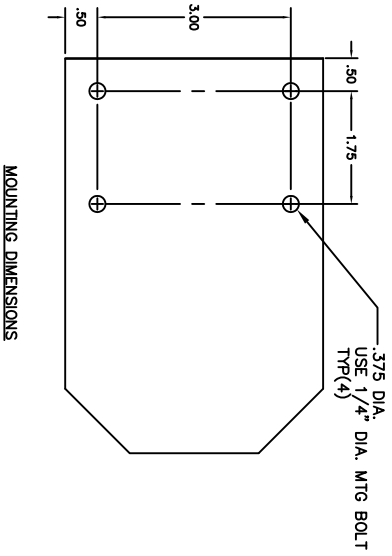
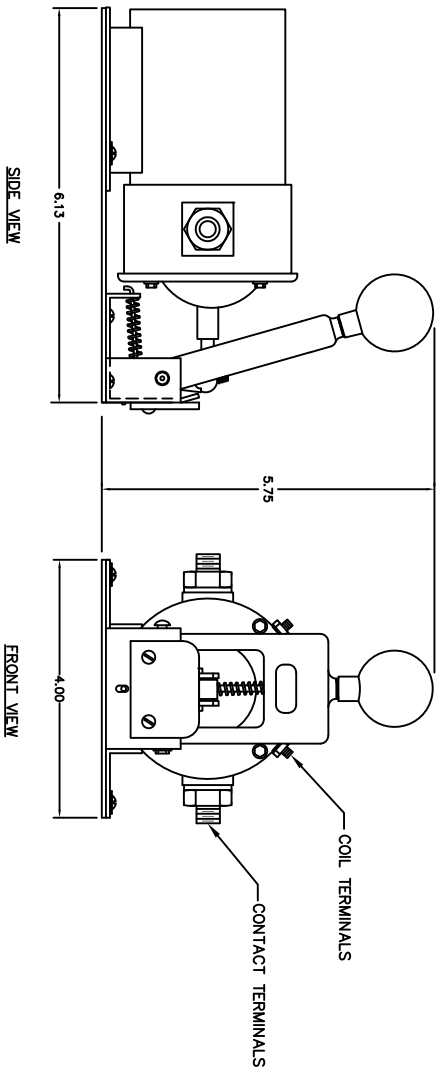


REVISIONS	SYM	DESCRIPTION	DATE	APPROVED
C		REDRAWN TO CURRENT STANDARDS ECO 2978	8-21-97	JSW J.A.



ELECTRICAL SPECIFICATION (INTERMITTENT DUTY)

MODEL	COIL VOLTAGE	MAX. COIL CURRENT	CONTACT MAX. VOLTAGE	AMP RATING INTERMITTENT DUTY ONLY
1804A-12V	12V D.C.	8A	30V D.C.	1500A D.C.
1804A-24V	24V D.C.	6A	30V D.C.	1500A D.C.

DIMENSION OUTLINE & ELECTRICAL DATA MANUALLY OPERABLE STARTER SOLENOID MODEL 1804A-12V & 1804A-24V	<table border="1" style="width: 100%;"> <tr> <td>DRAWN</td> <td>J.Y. (RDM)</td> <td>12-9-96</td> </tr> <tr> <td>CHECK</td> <td>JSW</td> <td>12-10-96</td> </tr> <tr> <td>APPD</td> <td>J.A.</td> <td>12-12-96</td> </tr> </table> <div style="text-align: center;"> <p>METRON, INC. DENVER, CO.</p> </div>	DRAWN	J.Y. (RDM)	12-9-96	CHECK	JSW	12-10-96	APPD	J.A.	12-12-96
DRAWN	J.Y. (RDM)	12-9-96								
CHECK	JSW	12-10-96								
APPD	J.A.	12-12-96								
BD21086C										
SCALE 1/2	SHEET 1 OF 1									