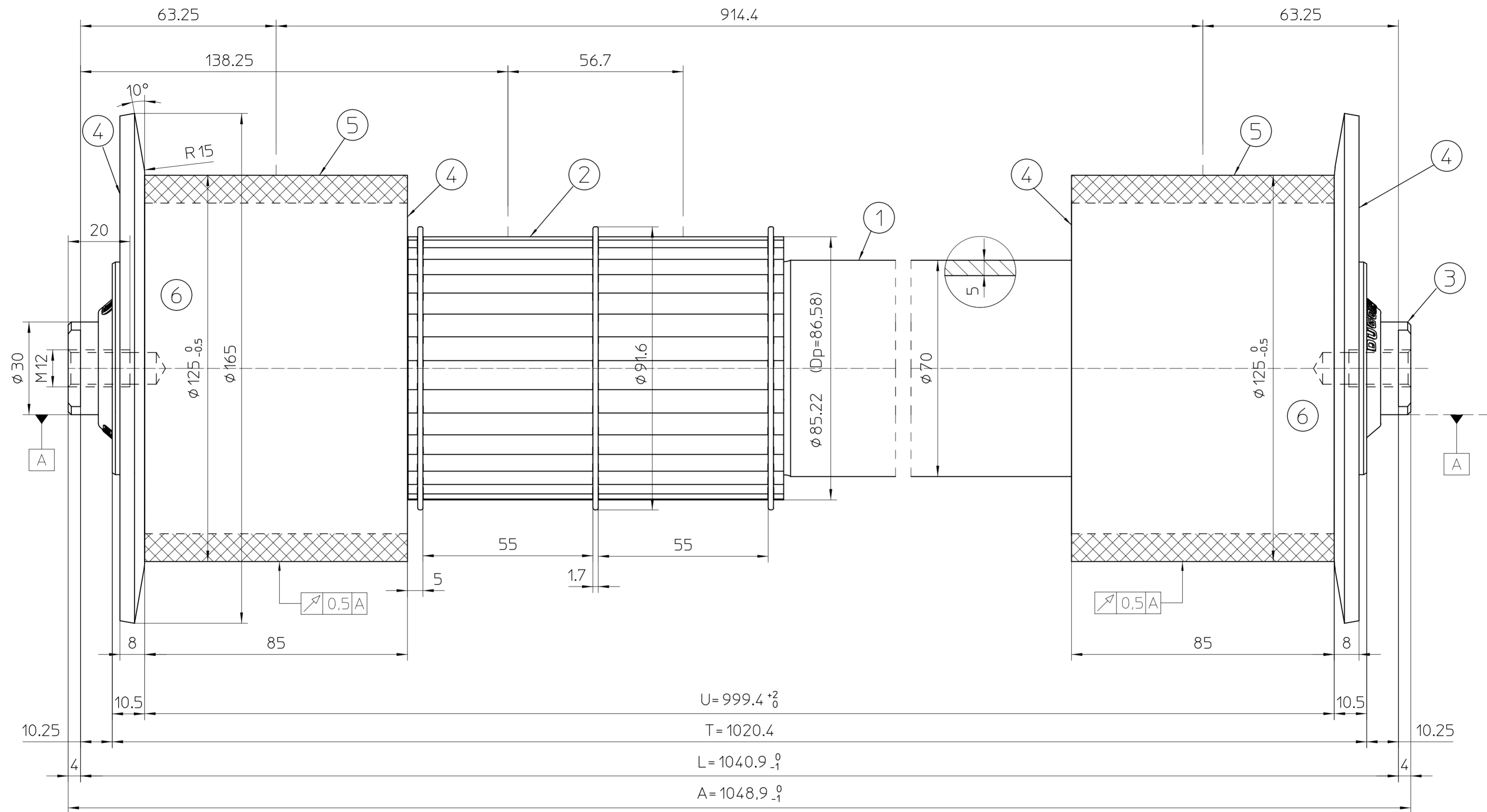
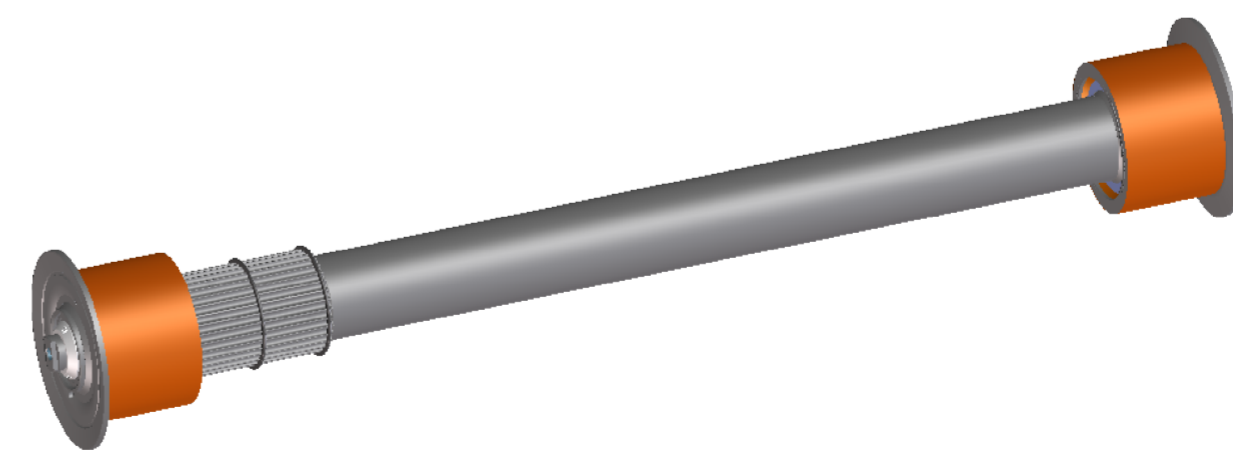
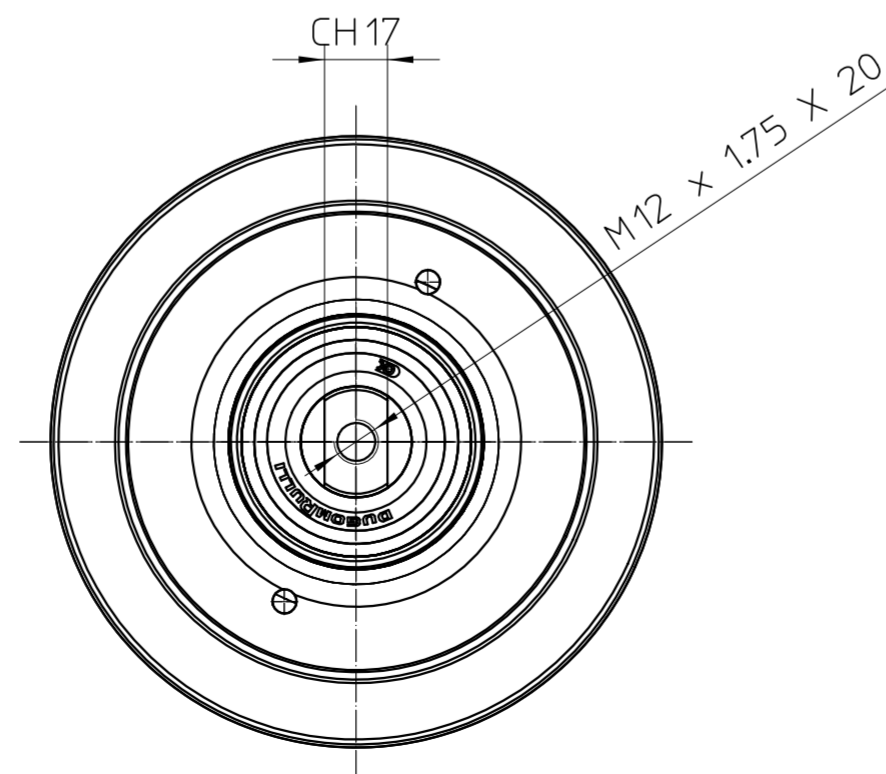


Coating must not have detectable traces of silicone.



1	Tube dia. 70x5 mm EN 10025-S235 or similar/higher.
2	Pulley Z34 HTD 8M-55 Dp=86.58 De=85.22 EN10025-S235 JRG2 and snap rings SP85 DIN 5417 with rounded edge.
3	Axle dia. 30 mm EN 10025-S235 JRG2 with threaded holes M12x20 and milled ends dim. 17x4
4	Flange dia. 165x5/10° (hardened) and flange dia. 100x4 mm made by EN 10111 DD11 or similar/higher.
5	Polyurethane coating hardness 95 +/-3 Shore A.
6	Single row rigid radial precision bearings type 6206-2RS lifetime lubrication.



DRAWING FOR CUSTOMER

PATENT NR. US9359145  
 PATENT NR. EP2985245  
 PATENT NR. IT0001429410

DENOMINAZIONE D125/70/25 Z34 HTD8M-50 COATED DRIVEN ROLL POLIURETHANE COATED - DE165 FLANGES				TOLLERANZE DIM. E FORMA: T268-01-00 T268-03-00 SALDATURE: T287-01-00	
DUGOMRULLI Moving solutions				MODIFICHE	
DIS. Pace	DATA 28/09/18	SCALA 1:1	FORM. A2	DATA	SCHEDA N°
CONTR. Pace	APPROV. Gamberini	PESO -		A 28/09/18 4368	00 03/10/18 4368
DIS.N°	329925W			01 22/11/18 4368	
SOSTITUISCE	-				

A norma di legge il presente disegno non puo' essere riprodotto od in qualsiasi modo comunicato a terzi senza nostra autorizzazione scritta