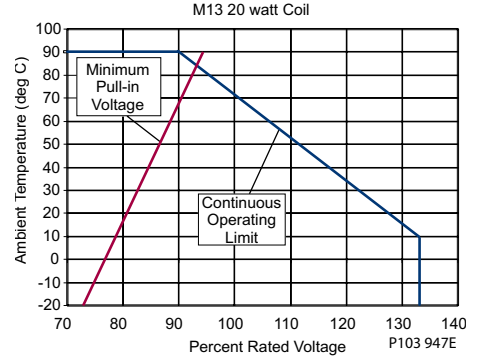


M13

SPECIFICATIONS

- Duty cycle: 100% at 115% of rated voltage at 40°C [104°F]
- Magnet wire insulation: Class H (200C)
- Ambient temperature range: -20 to 40 °C [-4 to 104 °F]
- Environmental protection rating: IP67 (AJ, AS, DE, and M3 term.) IP65 (all others)
- Input voltage range: 85% to 115% of rated voltage
- Temperature rise at 115% of rated voltage: 130°C [266°F] above ambient
- Weight: 0.2 kg [0.44 lb]



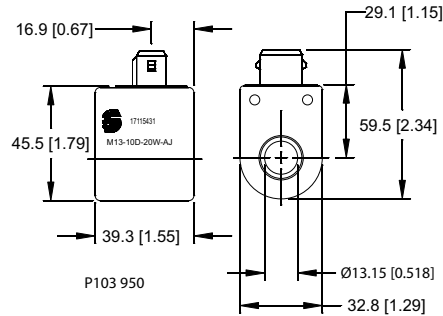
ELECTRICAL SPECIFICATIONS

20 watt coils

Voltage (V)	10 VDC	12 VDC	20 VDC	24 VDC
Resistance (Ohms) ± 5% @ 20 °C [72 °F]	5	7.2	20	29
Current draw (A) at 25 °C [77 °F]	2	1.67	1	0.83

TERMINALS

*Amp Jr.
Code AJ*



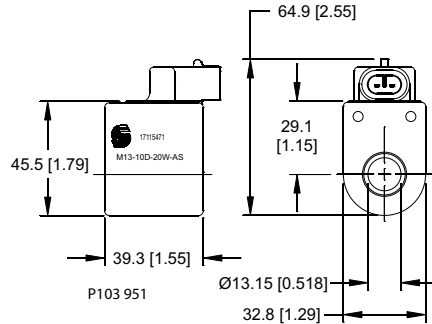
Part numbers

Voltage (V)	Power (W)	Part Number
10 VDC	20	M13-10D-20W-AJ
12 VDC	20	M13-12D-20W-AJ
20 VDC	20	M13-20D-20W-AJ
24 VDC	20	M13-24D-20W-AJ

M13

TERMINALS
(continued)

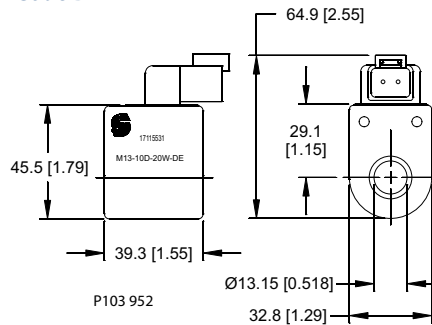
Amp SuperSeal 1.5/MetriPak 150 Type 1
Code AS



Part numbers

Voltage (V)	Power (W)	Part Number
10 VDC	20	M13-10D-20W-AS
12 VDC	20	M13-12D-20W-AS
20 VDC	20	M13-20D-20W-AS
24 VDC	20	M13-24D-20W-AS

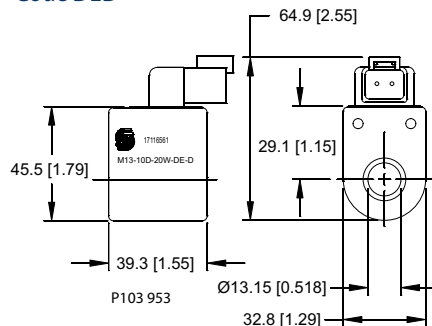
Deutsch
Code DE



Part numbers

Voltage (V)	Power (W)	Part Number
10 VDC	20	M13-10D-20W-DE
12 VDC	20	M13-12D-20W-DE
20 VDC	20	M13-20D-20W-DE
24 VDC	20	M13-24D-20W-DE

Deutsch w/diode
Code DED



Part numbers

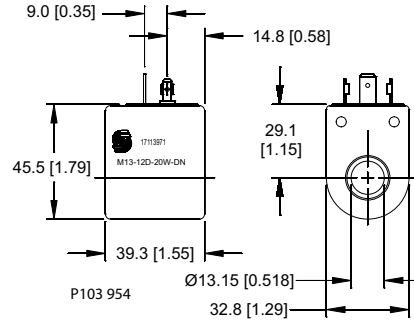
Voltage (V)	Power (W)	Part Number
10 VDC	20	M13-10D-20W-DED
12 VDC	20	M13-12D-20W-DED
20 VDC	20	M13-20D-20W-DED
24 VDC	20	M13-24D-20W-DED

M13

TERMINALS
(continued)

ISO 4400 (DIN 43650)

Code DN

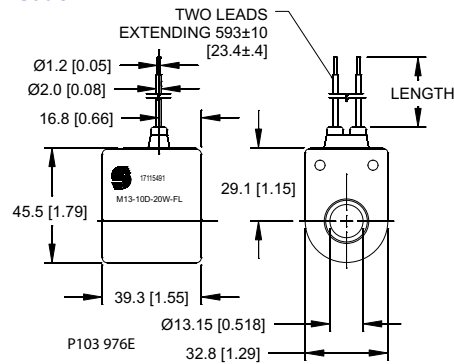


Part numbers

Voltage (V)	Power (W)	Part Number
10 VDC	20	M13-10D-20W-DN
12 VDC	20	M13-12D-20W-DN
20 VDC	20	M13-20D-20W-DN
24 VDC	20	M13-24D-20W-DN

Lead wires

Code FL

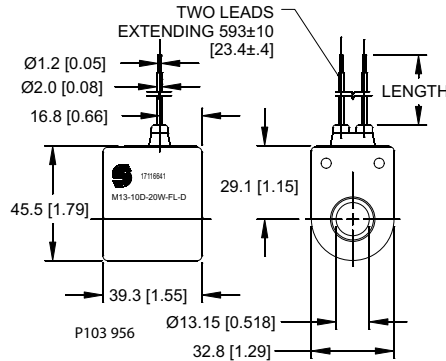


Part numbers

Voltage (V)	Power (W)	Part Number
10 VDC	20	M13-10D-20W-FL
12 VDC	20	M13-12D-20W-FL
20 VDC	20	M13-20D-20W-FL
24 VDC	20	M13-24D-20W-FL

Lead wires w/diode

Code FLD



Part numbers

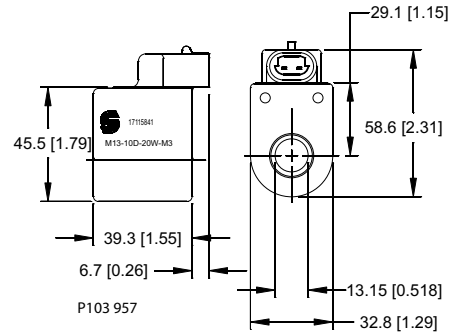
Voltage (V)	Power (W)	Part Number
10 VDC	20	M13-10D-20W-FLD
12 VDC	20	M13-12D-20W-FLD
20 VDC	20	M13-20D-20W-FLD
24 VDC	20	M13-24D-20W-FLD

Cartridge Valves Legacy Product
 Technical Information
M13 Coil

M13

TERMINALS
(continued)

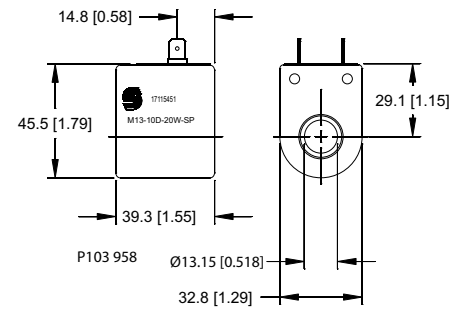
MetriPak 150, Type 2
 Code M3



Part numbers

Voltage (V)	Power (W)	Part Number
10 VDC	20	M13-10D-20W-M3
12 VDC	20	M13-12D-20W-M3
20 VDC	20	M13-20D-20W-M3
24 VDC	20	M13-24D-20W-M3

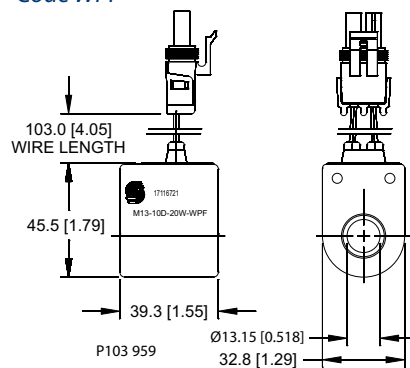
Spade
 Code SP



Part numbers

Voltage (V)	Power (W)	Part Number
10 VDC	20	M13-10D-20W-SP
12 VDC	20	M13-12D-20W-SP
20 VDC	20	M13-20D-20W-SP
24 VDC	20	M13-24D-20W-SP

Weather pack (female)
 Code WPF



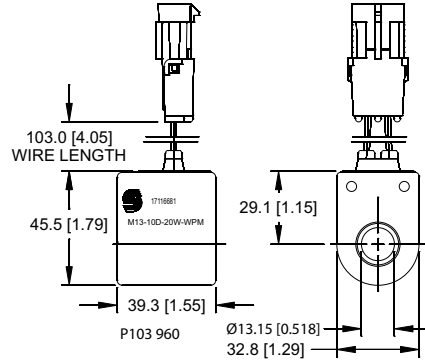
Part numbers

Voltage (V)	Power (W)	Part Number
10 VDC	20	M13-10D-20W-WPF
12 VDC	20	M13-12D-20W-WPF
20 VDC	20	M13-20D-20W-WPF
24 VDC	20	M13-24D-20W-WPF

M13

TERMINALS
 (continued)

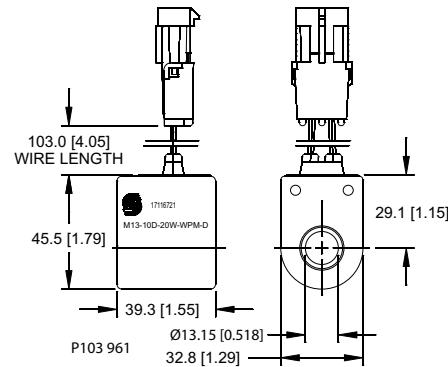
Weather pack (male)
 Code WPM



Part numbers

Voltage (V)	Power (W)	Part Number
10 VDC	20	M13-10D-20W-WPM
12 VDC	20	M13-12D-20W-WPM
20 VDC	20	M13-20D-20W-WPM
24 VDC	20	M13-24D-20W-WPM

Weather pack (male) w/diode
 Code WPMD



Part numbers

Voltage (V)	Power (W)	Part Number
10 VDC	20	M13-10D-20W-WPMD
12 VDC	20	M13-12D-20W-WPMD
20 VDC	20	M13-20D-20W-WPMD
24 VDC	20	M13-24D-20W-WPMD