



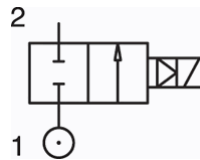
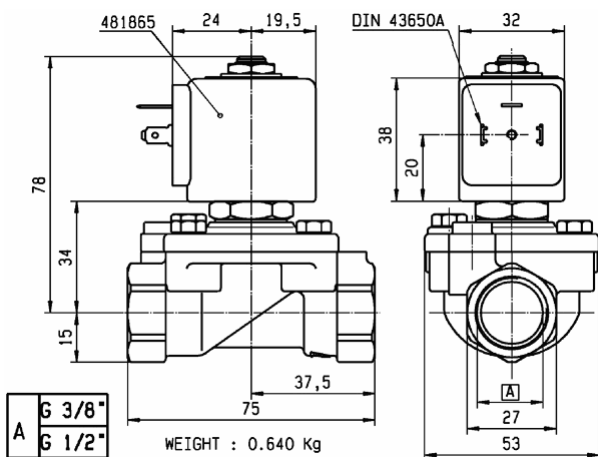
2/2 Normally Closed

Valves for dry or lubricated air, neutral gases and liquids

Order Code : 221G6506-2995-4818653D

Valve type	2/2 Normally Closed	Fluids	air oil
		Actuation type/Voltage	230 VAC
		Voltage tolerance	+/-10%
Port size	1/2"	Options	
Body Material	316L Stainless St.		SIL
Pressure min	0	Ambient T°min	-10
Pressure max		Ambient T°max	50
Orifice diameter	15	Kv	/ 65
T°fluid min	0	ATEX zone	
T°fluid max	100	ATEX protection	
Power Max	8W	ATEX class	F 155°C
Sealing material	FKM	ATEX protection dust	
IP Level	IP65	ATEX protection gas	

2/2



Valve only compatible with hydraulic oil and air/neutral gases