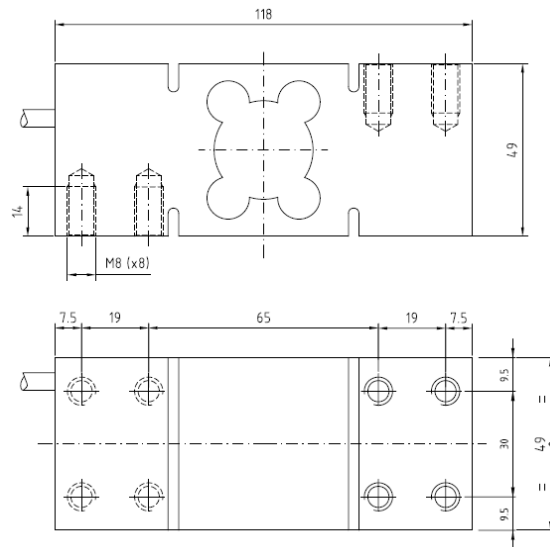
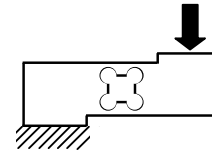
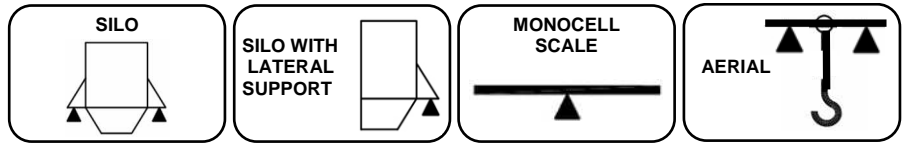
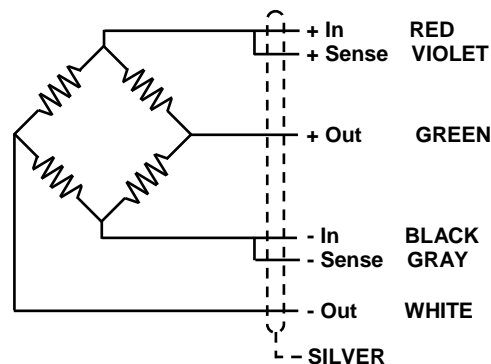


# IBM2-IP67



Dimensions in mm



## APPLICATION:

Single point scales whose platform is up to 600mm x 600mm

## CAPACITY RANGE:

100kg - 200kg - 300kg - 500kg

## MATERIAL:

Stainless Steel

## ENVIRONMENTAL PROTECTION:

IP67

## APPROVALS:

CE 3000 Div - TC6178

OIML 3000 Div - R60/2000-NL 1-03.03

## CHARACTERISTICS

Manufactured in stainless steel. Only 49mm high.

High quality protection barrier using special silicones protects from the typical environment in food and chemical industry.

Mounting compatibility.

## APPLICATIONS

The IBM2-IP67 model is specially designed for platforms up to 600mm x 600mm with low profile and is protected from environmental conditions that appear in industry, where work and cleaning require a good environmental

## OPTIONS

Sensitivity alignment:  $\pm 0,1\%$ .

Length of the cable is optional.

Consult for special requirements.

www.ascellsensor.com  
info@ascellsensor.com

Tel: (+34) 93 776 60 89  
Fax: (+34) 93 775 14 72

## GENERAL TECHNICAL CHARACTERISTICS FOR $g= 9,8031 \text{ m/ s}^2$

OIML Class	C3	UNITS
Divisions $n_{LC}$	3000	
Minimum Dead load $E_{min}$	0	kg
$Z= E_{max} / 2DR$	3000	
$Y= E_{max} / V_{min}$	10000	
Rated Capacity $E_{max}$	100 - 200 - 300 - 500	kg
Rated Sensitivity C	$2 \pm 10 \%$	mV/V
Rated Input Voltage	10	V dc
Input Voltage Range	5...15	V ac/dc
Input Resistance $R_{LC}$	$382 \pm 10$	$\Omega$
Output Resistance	$350 \pm 3$	$\Omega$
Zero Balance	$\pm 2$	% Emax
Insulation Resistance at 50 V DC	> 5000	M $\Omega$
Service Overload	> 150	% Emax
Overload Limit	> 300	% Emax
Temperature Range : Compensated	- 10 ... 40	$^{\circ}\text{C}$
: Operating	- 30 ... 85	$^{\circ}\text{C}$
: Storage	- 30 ... 90	$^{\circ}\text{C}$
Max. Nonlinearity	0,02	% Emax
Max. Hysteresis	0,02	% Emax
Max. No repeatability	0,01	% Emax
M Max. Creep in 4 hours	0,03	% Emax
Max. Zero Recovery Test in 1/2 hour	0,011	% Emax
Max Temperature effect : On Sensitivity	0,0013	% Emax / $^{\circ}\text{C}$
: On Zero	0,0014	% Emax / $^{\circ}\text{C}$
Weight	1770	g
Cable Length	3	m
Environmental Protection	IP67 - DIN 40050	