

W92 - W101 - W131
W132 - W151
W162 - W201

KIT RICAMBI -- SPARE KITS

OTTONE BRASS			NICKEL			PISTONE - PISTON Ø20						PISTONE- PISTON Ø22					
KIT Nr.	KIT 1	KIT 2	KIT 3	KIT 4	KIT 5	KIT 6	KIT 7	KIT 10	KIT 28	KIT 69	KIT 71	KIT 11	KIT 14	KIT 29	KIT 148	KIT 149	
Posizioni include Positions included	4-5 6-7 8 (11)	16	41	31-34 36-37 38	9-10	9-10	45	42-43	42-43 44-45 46-47 56	44-47 56	46-47	45	42-43	42-43 44-45 46-47 56	44-47 56	46-47	
Nr. Pcs.	6	3	2	3	6	3	6	3	1	3	3	6	3	1	3	3	

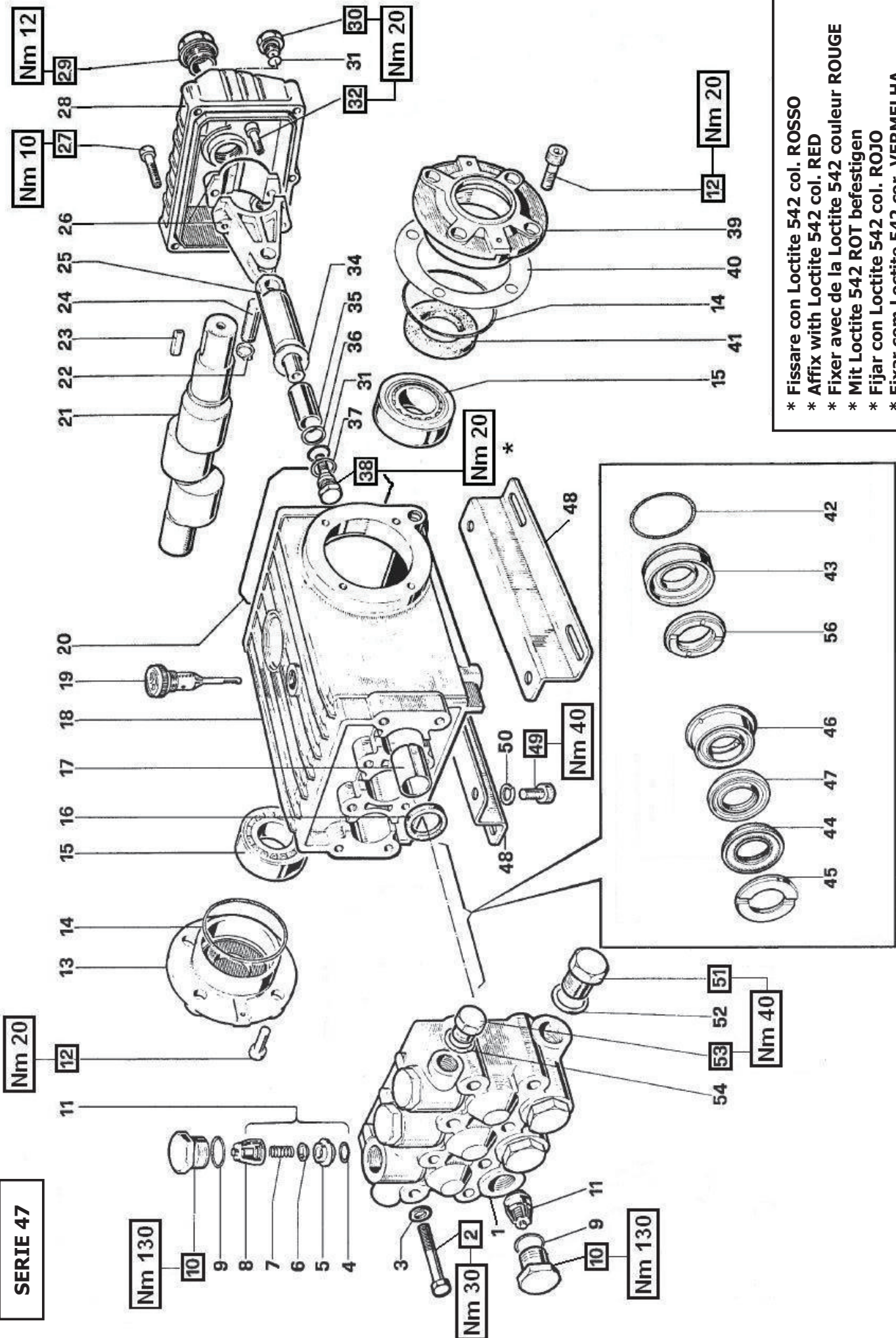
PISTONE - PISTON Ø20		PISTONE - PISTON Ø22	
OTTONE BRASS	W101 - W131 W151	W92 - W132	
NICKEL	W201	W162	

DISTINTA -- SPARE PARTS

POS	COD.	DESCRIZIONE - DESCRIPTION - KIT	NR
1	47.1201.41 47.1202.41	Testata Ø 20-22 Testata Ø 20-22 - NICKEL	1 1
2	99.3206.00	Vite M8x70 UNI 5737	8
3	96.7020.00	Rosetta Ø 8 UNI 1736	8
4	90.3841.00	OR Ø 17.13x2.62 (3068)	1 6
5	36.2003.66	Sede valvola	1 6
6	36.2001.76	Valvola	1 6
7	94.7376.00	Molla Ø 9.4x14.8	1 6
8	36.2002.51	Guida valvola	1 6
9	90.3847.00	OR Ø 20.24x2.62 (3081)	4 5 6
10	98.2220.00 98.2222.00	Tappo M24x2x16.5 Tappo M24x2x16.5 -- NICKEL	4 6 5 6
11	36.7032.01	Gruppo valvola	1 6
12	99.3039.00	Vite M8x16 UNI 5931	8
14	90.3913.00	OR Ø 67.95x2.62 (3325)	2
15	91.8375.00	Cuscinetto a rulli 32206	2
16	90.1625.00	Anello rad. Ø 22x32x2.5	2 3
17	90.9126.00	Boccola Ø 22x25x30	3

POS	COD.	DESCRIZIONE - DESCRIPTION - KIT	NR
18	47.0100.22	Carter	1
19	98.2106.00	Tappo carico olio G 3/8"	1
20	90.3922.00	OR Ø 133.02x2.62 (3525)	1
21	47.0200.35 47.0201.35 47.0211.35	Albero - D. PTO - W92-W101 Albero - D. PTO - W132-W151-W162-W201 Albero - D. PTO - W131	1 1 1
22	90.0557.00	Anello di fermo Ø 12	6
23	91.4878.00	Linguetta 8x7x25 UNI 6604	1
24	97.7380.00	Spinotto Ø 13x35	3
25	47.0503.56 47.0504.54 47.0505.54	Guida pistone - W162-W201 Guida pistone - W92 - W101 Guida pistone - W132-W131-W151	3 3 3
26	47.0300.01	Biella completa	3
27	99.1837.00 99.1912.00	Vite M6x14 UNI 5931 - W92-W101 Vite M6x30 UNI 5931 - W132-W131 W151-W162-W201	5 5
28	47.1600.22 47.1601.22	Coperchio carter - W92-W101 Coperchio carter - W132-W131-W151 W162-W201	1 1
29	97.5968.00	Spia livello olio G 3/4"	1
30	98.2041.00	Tappo G 1/4"x9	1
31	90.3585.00	OR Ø 10.82x1.78 (2043)	6 4
32	99.3099.00	Vite M8x35 UNI 5931	6
34	96.7286.00	Rosetta Ø 14x28x0.5	6 3
35	47.0404.09 47.0405.09	Pistone Ø 20 Pistone Ø 22	3 3
36	90.5067.00	Anello antiest. Ø 11x14x1.5	6 3
37	96.7280.00	Rosetta Ø 14x18.5x0.5	6 3
38	47.2195.66	Vite fissaggio pistone	6 3
39	47.1510.22	Coperchio cuscinetto	2
40	97.5678.00	Spessore	2
41	90.1648.00	Anello rad. Ø 30x55x7	3 2
42	90.3616.00	OR Ø 34.65x1.78 (2137)	10-14-28-29 3
43	47.0805.70 47.0806.70	Anello di fondo Ø 20 Anello di fondo Ø 22	10-28 14-29 3
44	90.2705.00 90.2725.00	Anello tenuta Ø 20 H.P. Anello tenuta Ø 22 H.P.	28-69 29-148 3
45	47.1000.51 46.1000.51	Anello di testa Ø 20 Anello di testa Ø 22	7-28 11-29 3
46	47.2169.70 47.2170.70	Anello intermedio Ø 20 Anello intermedio Ø 22	28-71 29-149 3
47	90.2704.00 90.2730.00	Anello RESTOP Ø 20 Anello RESTOP Ø 22	28-69-71 29-148-149 3
48	47.2000.74	Piedino	2
49	99.3644.00	Vite M10x18 UNI 5931	4
50	96.7106.00	Rosetta Ø 10 DIN 7980	4
51	98.2176.00	Tappo G 1/2"x10	1
52	96.7514.00	Rosetta Ø 21.5x27x1.5	1
53	98.2100.00	Tappo G 3/8"x13	1
54	96.7380.00	Rosetta Ø 17.5x23x1.5	1
55	47.2124.51	Cappello PTO	1
56	90.2710.00 90.2728.00	Anello tenuta Ø 20 L.P. Anello tenuta Ø 22 L.P.	28-69 29-148 3

SERIE 47



* Fissare con Loctite 542 col. ROSSO
* Affix with Loctite 542 col. RED
* Fixer avec de la Loctite 542 couleur ROUGE
* Mit Loctite 542 ROT befestigen
* Fijar con Loctite 542 col. ROJO
* Fixar com Loctite 542 cor. VERMELHA