

## BEA-635

350 Watt

- Noise immunity for industrial sectors
- High-quality electrolytic capacitors (+105 °C)
- Operating temperature -10...+70 °C

The 350 W PC power supply BEA-635 is distinguished by very high reliability and long service life. By its integrated 4 kV surge input filter the BEA-635 is also suitable for highly demanding industrial applications. Within an ambient temperature range of -10 up to +50 °C full power can be supplied continuously without restrictions. The temperature regulated ball-bearing fan provides a tachometer signal and can continuously be monitored by the board, which is very important with regard to system reliability.



### Technical data

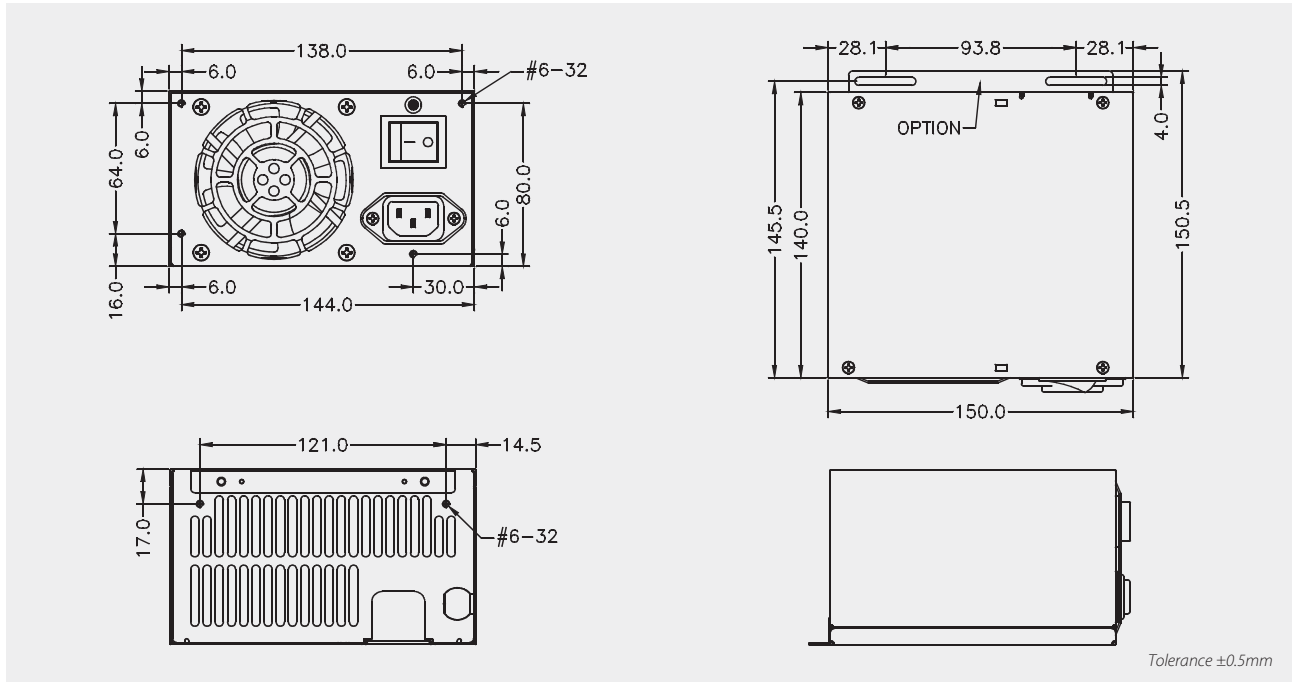
Input voltage	90...264 V AC, active PFC
Input frequency	47...63 Hz
Input current	7 A (115 V AC) / 3.5 A (230 V AC)
Inrush current	48 A (115 V AC) / 88 A (264 V AC)
Efficiency	≥75 %, 230 V AC / ≥70 %, 115 V AC (full load)
Hold up time	>16 ms
Power-Good-Signal	Switch on delay 100...500 ms Switch off delay 1 ms
Protection	Short circuit protection: At each output, switch off / +5 V <sub>sb</sub> , auto-recovery Overload protection: 110...150 %, switch off Overvoltage protection: +3.3 V (+3.9...+4.3 V), +5 V (+5.7...+6.5 V), +12 V (+13.6...+15 V)
Insulation voltage	Input / Chassis 3100 VDC Input / Output 4242 VDC
Earth leakage current	<3.5 mA, 115 V AC / 230 V AC
Safety / EMC	TÜV, UL, CE, CCC, EN 61000-6-2, EN 61000-6-4
Temperature	Operating: -10...+70 °C / Storage: -20...+80 °C
Derating	Between +50...+70 °C, 1 % / °C
MTBF	180 000 h according to MIL-HDBK-217F at +50 °C without fan
Max. operation altitude	2000 m
Humidity	Operating: 10...85 % RH, non-condensing / Storage: 10...90 % RH, non-condensing
Dimensions (WxDxH)	150 x 140 x 86 mm ±0.5 mm
Weight (net)	1.95 kg

Article No.	Output voltage	Output current		Load regulation	Ripple & Noise
		min	max		
BEA-635	+3.3 V	0 A	28 A	±5 %	50 mV
	+5 V	0.5 A	35 A	±5 %	50 mV
	+12 V	0.5 A	26 A	+7/-5 %	120 mV
	-12 V	0 A	0.8 A	±5 %	150 mV
	-5 V	0 A	0.5 A	±5 %	150 mV
	+5 V <sub>sb</sub>	0 A	2 A	±5 %	50 mV

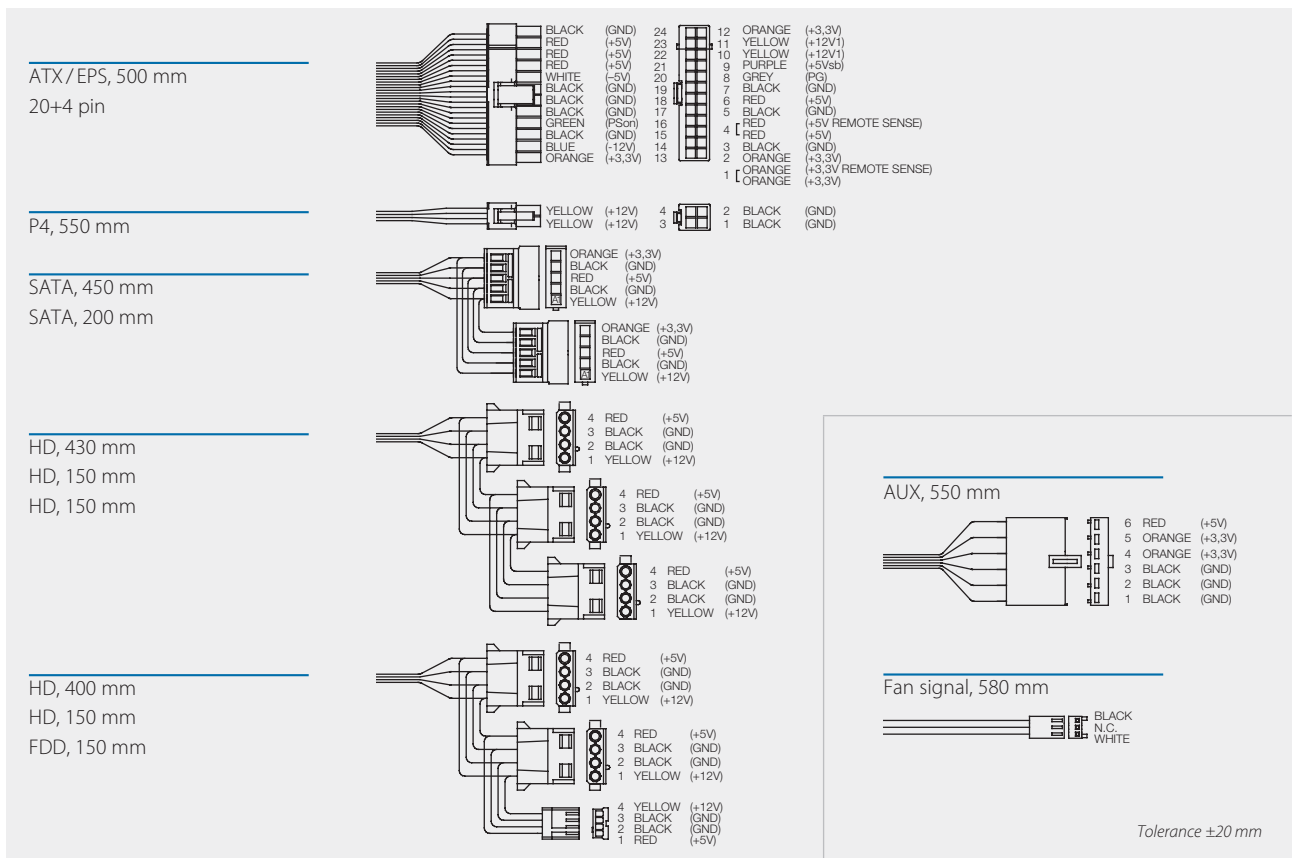
Max. output is 350 W, combined max. output current at +3.3 V and +5 V must not exceed 45 A. For temperatures <20 °C a higher minimal output current is required. Ripple and Noise was measured by a 20 MHz bandwidth limited oscilloscope with connected 220 µF electrolytic capacitor and 0.1 µF ceramic capacitor at each output. During a cross regulation test we recommend to keep the channel with higher output load at 80 % of its max. power and the channel with lower output load at 20 % of its max. power.

As a power component this PSU is for assembly purposes only and must not be operated in unassembled condition. The final assembly has to comply with the valid EMC and safety standards.

## Drawing BEA-635



## Cable harness BEA-635



Specification is subject to change without notice. Errors excepted. Status as at: 27.11.2015

**Optional accessory** >>> For detailed information please visit our website [www.bicker.de](http://www.bicker.de) and refer to the article number.

Article No.	Description
X1-132	Power cord with European IEC-60320-C13 connector