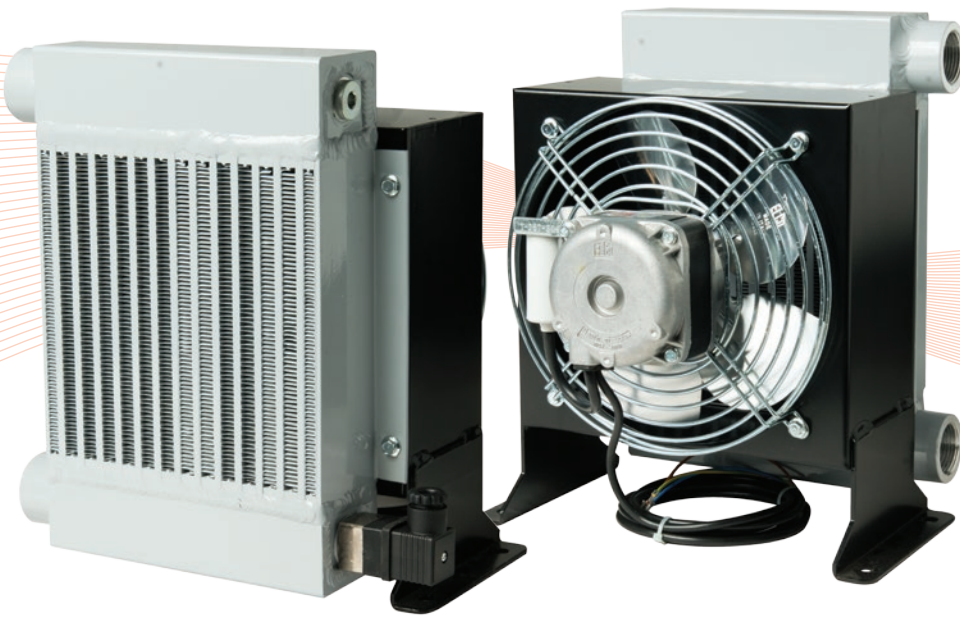


BC 210 AC

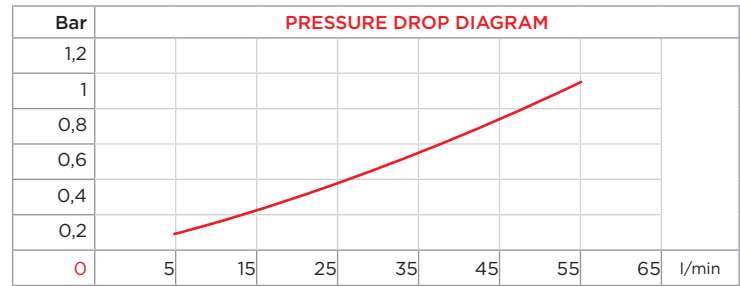
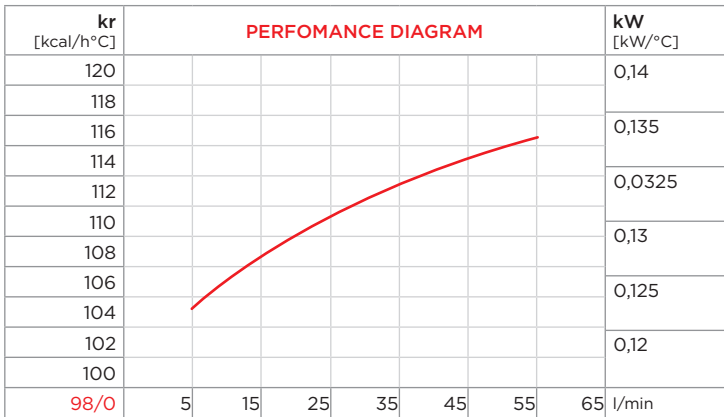


PURCHASE CODES

BC 210 single phase without thermo switch	3RBC210
BC 210 single phase with thermo switch	3RBC210T247 3RBC210T260
BC 210 three phase without thermo switch	3RBC21038
BC 210 three phase with thermo switch	3RBC21038T247 3RBC21038T260

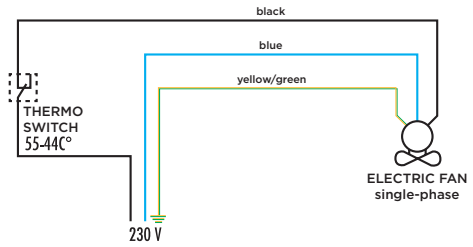
SPARE PARTS

Cooling element	1RO03378
Frame	3CNBC210M/T.1
Electric fan for BC 210 single phase	1VNA2E200.1
Electric fan for BC 210 three phase	1VNA2D200
Thermo-switch 47-36 IP 65	1TRM 47-36
Thermo-switch 60-49 IP 65	1TRM 60-49

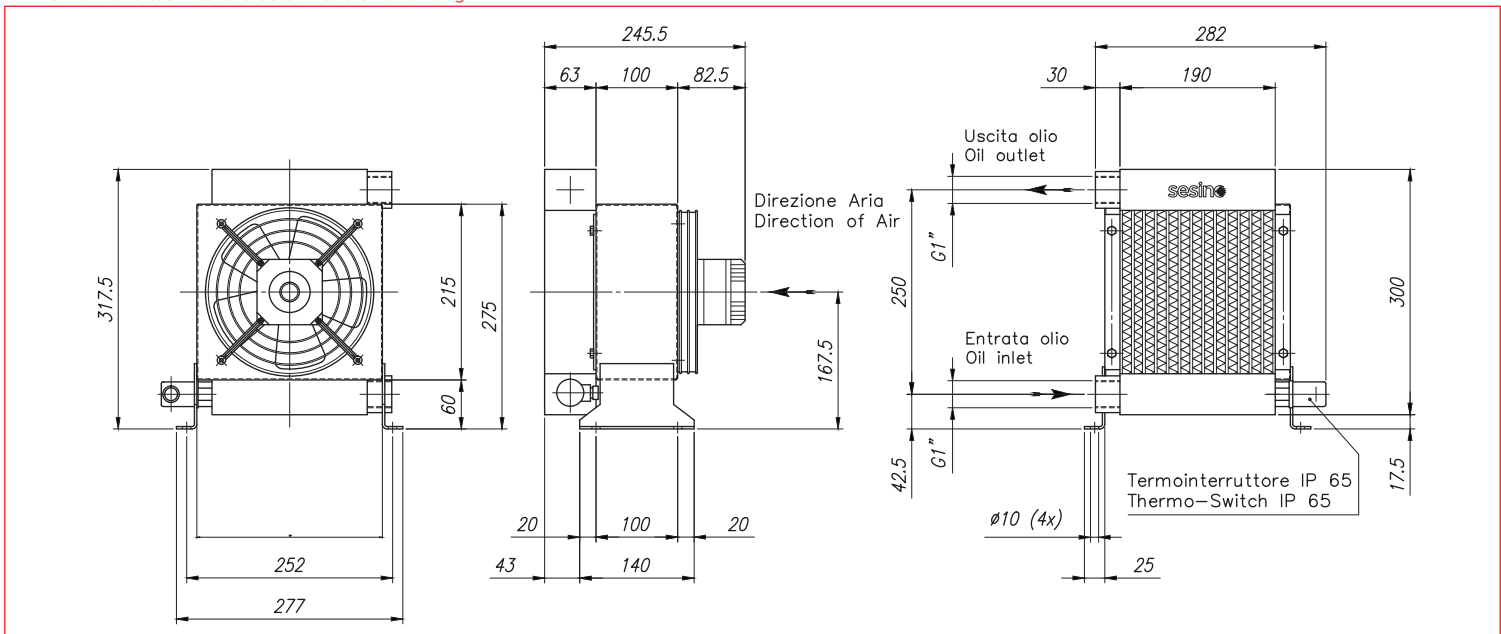


CORRECTION FACTOR

cSt	22	30	46	68	100	150	220
f	0,6	1	1,5	2,3	3,5	5	7



- Dimensions and technical characteristics are not binding



OIL FLOW	VOLTAGE	FREQUENCY	POWER	CURRENT	AIR FLOW	PROTECTION	NOISE LEVEL	WEIGHT	Ø FAN
l/min	V	hz	W	A	m ³ /h	IP	dB(A)	kg	mm
50-60	230/240	50/60	18/62	0,27	630	54	55	6	200
50-60	400	50/60	68/70	0,17/0,13	630	54	55	6	200