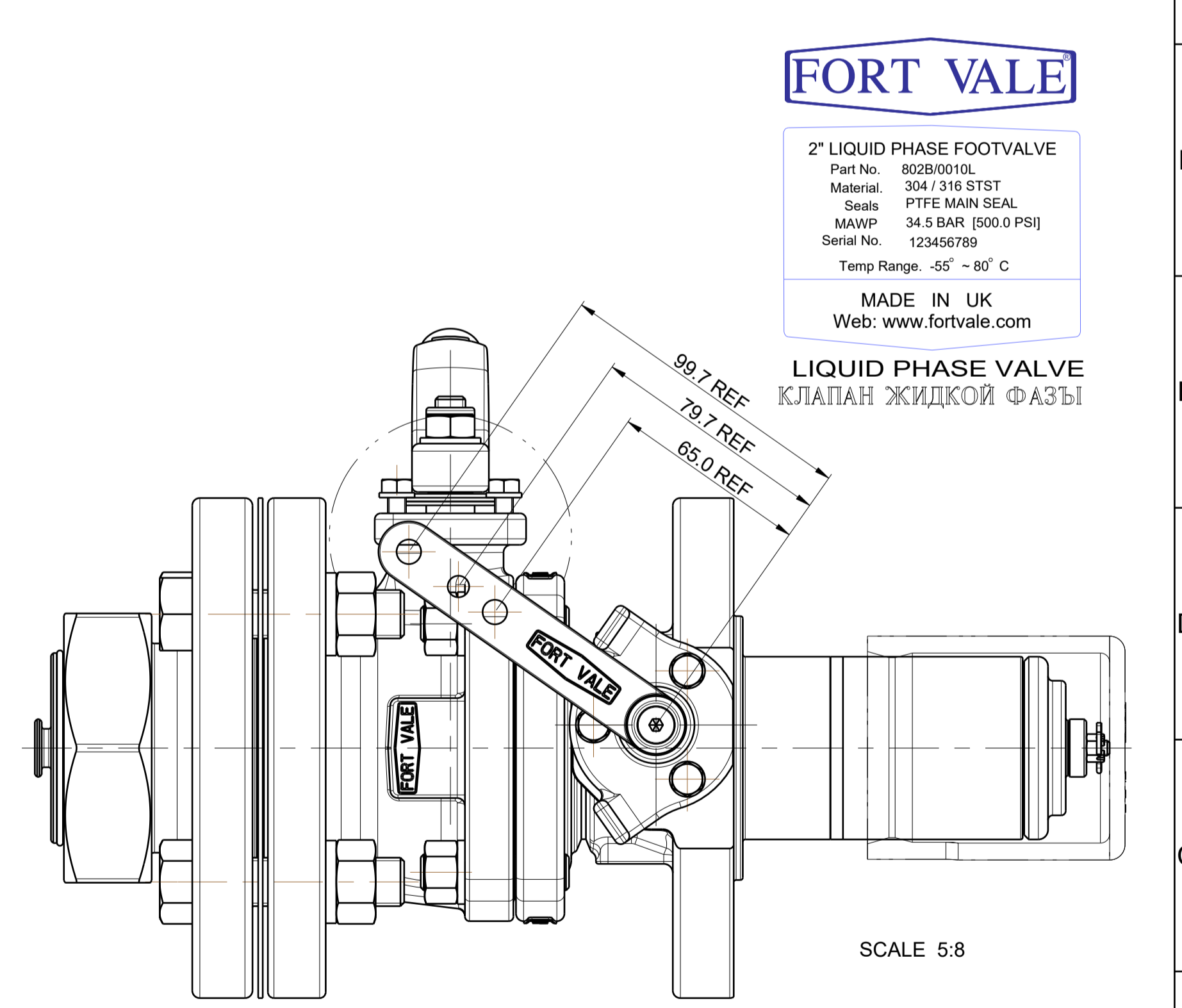
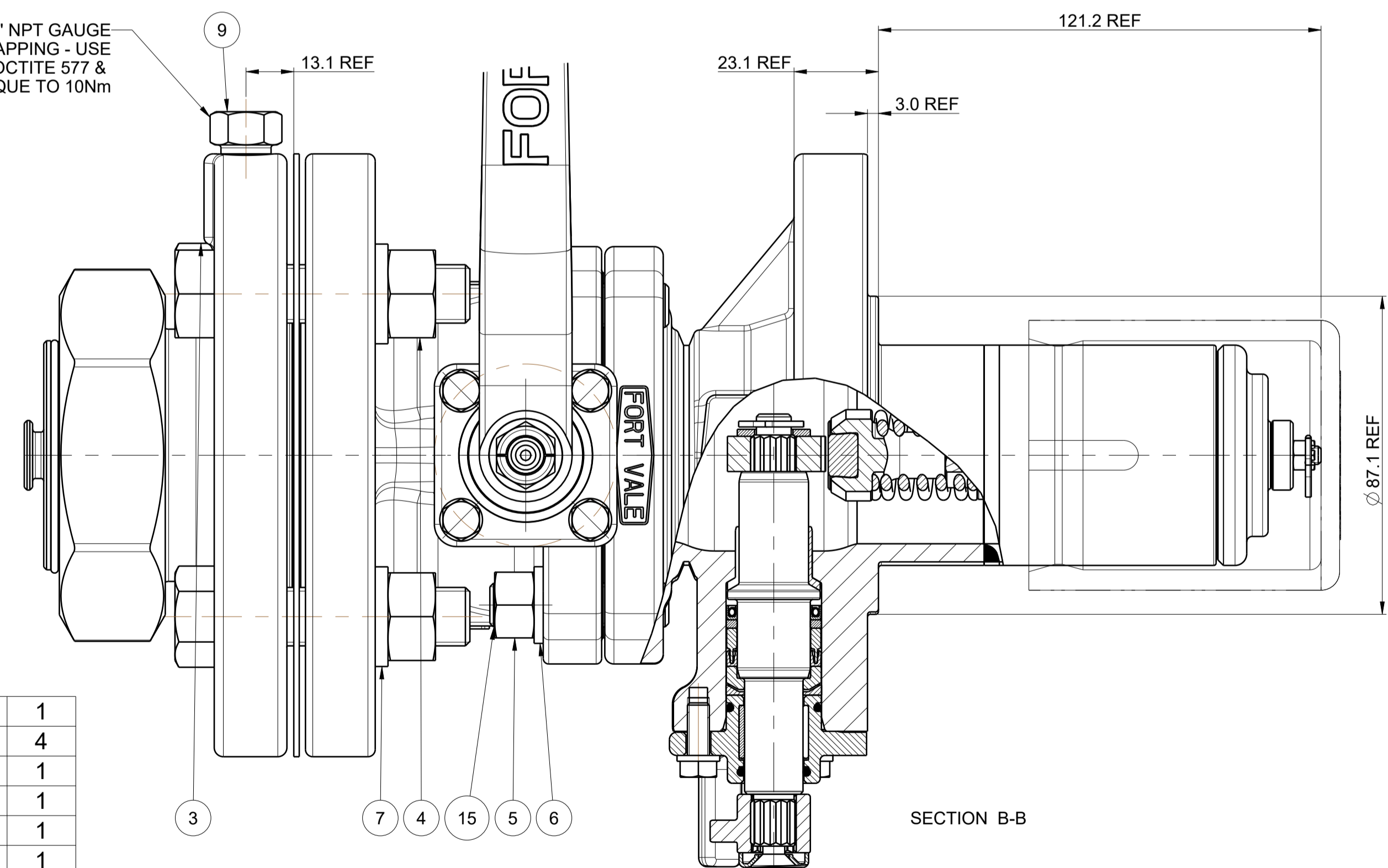
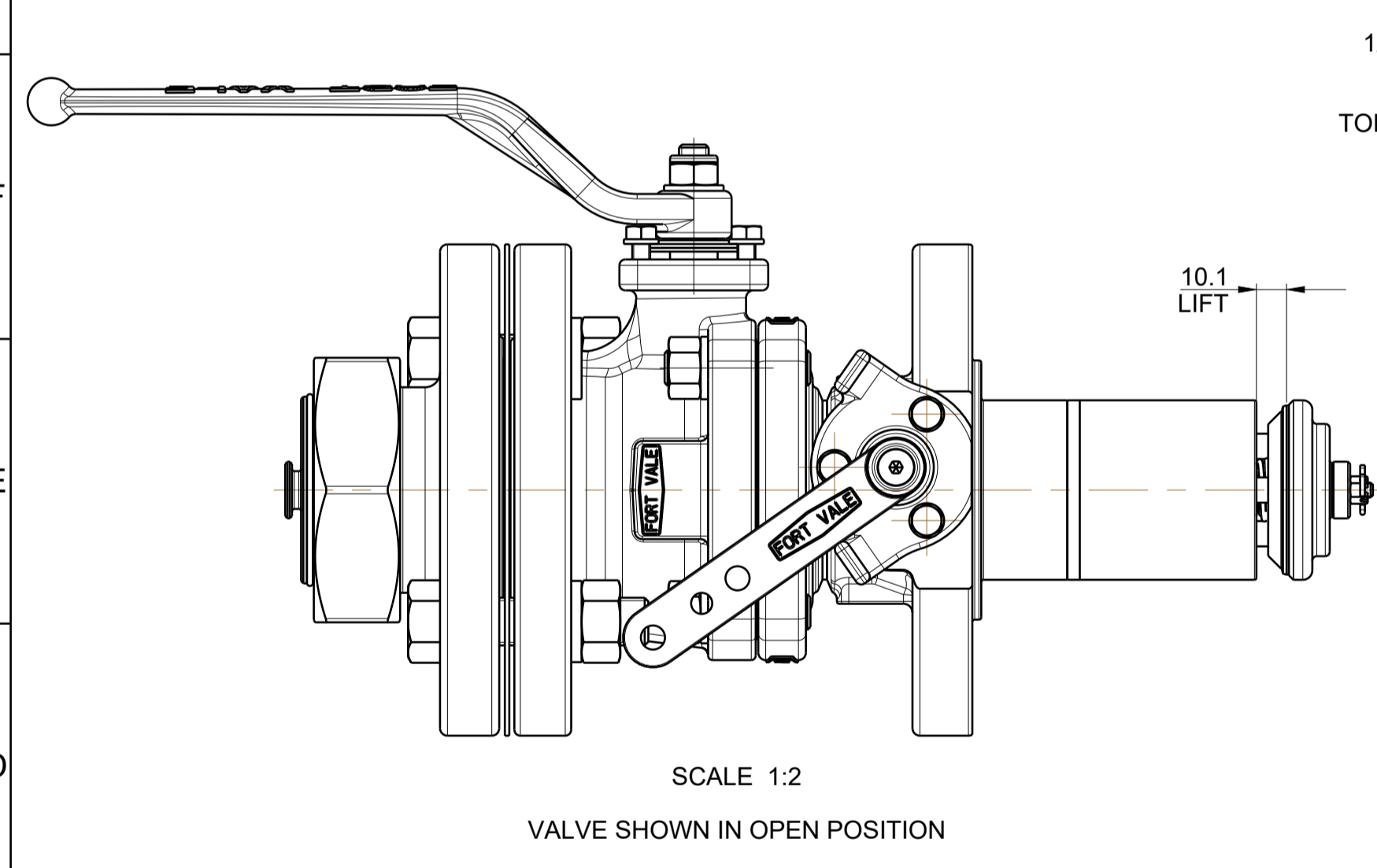
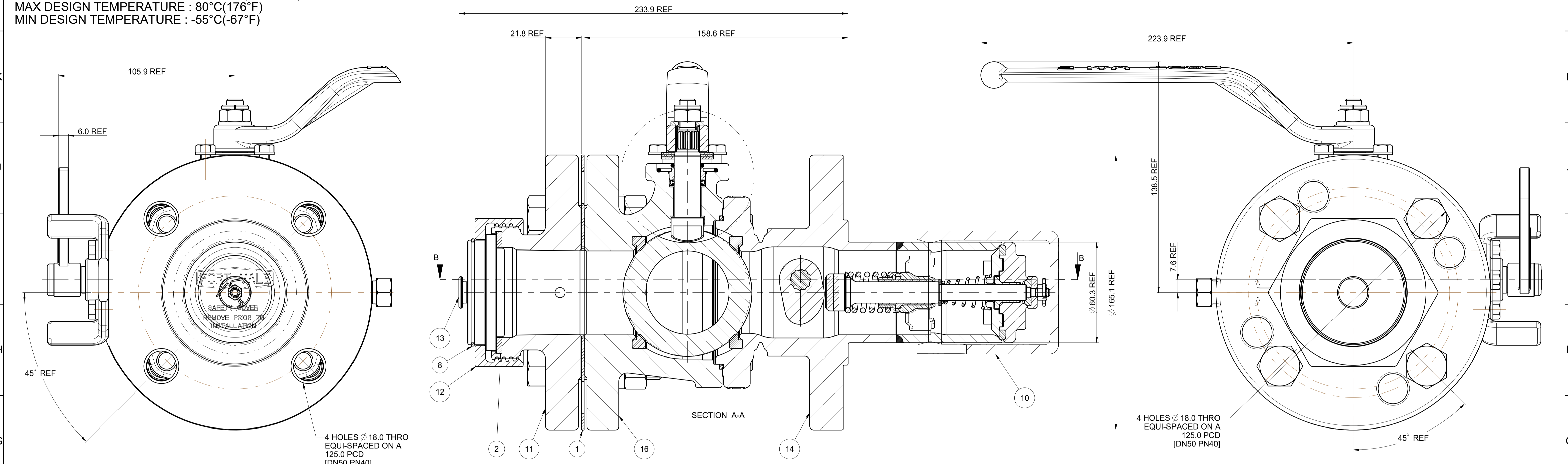


DESIGN CODE : ASME VIII DIV 1
 DESIGN PRESSURE (MAWP) : 34.5 BAR (500 PSI)
 HYDRAULIC TEST PRESSURE : 70 BAR (1015 PSI)
 MAX DESIGN TEMPERATURE : 80°C(176°F)
 MIN DESIGN TEMPERATURE : -55°C(-67°F)



FORT VALE

2" LIQUID PHASE FOOTVALVE
 Part No. 802B/0010L
 Material: 304 / 316 STST
 Seals: PTFE MAIN SEAL
 MAWP: 34.5 BAR [500.0 PSI]
 Serial No. 123456789
 Temp Range: -55° - 80° C
 MADE IN UK
 Web: www.fortvale.com

ЛИКВИДНАЯ ФАЗА
 КЛАПАН ЖИДКОЙ ФАЗЫ

Index	Part Number	Description	Material	Qty
16	370/3462B	DN 50 PN 40 BALLVALVE	304/316 STST	1
15	370/3314	M12 STUD	304 STST	4
14	252/5085B	2" EXCESS FLOW GAS FOOTVALVE	304/316 STST	1
13	252/2076	3 1/4" ACME PLUG	316 STST	1
12	252/2075	3.1/4" ACME CAP	316 STST	1
11	252/2069	3 1/4" ACME OUTLET DN50 PN40	316 STST	1
10	252/2006L	RED PROTECTIVE CAP LIQUID PHASE	POLYETHYLENE	1
9	5128-008	1/4" NPT TAPER PLUG	304 STST	1
8	5120-027	RETAINING RING CLIP	316 STST	1
7	5113-012	M16 SPRING WASHER	304 STST	4
6	5113-010	M12 SPRING WASHER	304 STST	4
5	5112-006	M12 FULL NUT	304 STST	4
4	5112-003	M16 FULL NUT	304 STST	4
3	5111-090	M16 X 70mm HEX BOLT	304 STST	4
2	5005-877	PTFE SEAL	VIRGIN PTFE	1
1	5005-726	PTFE CNAF GASKET	PTFE / CNAF	1

MATERIALS OF CONSTRUCTION
 ALL STEEL COMPONENTS 304 / 316 ST ST
 SEALS PTFE (TEFLON) AND GLASS FILLED PTFE
 GUIDE BUSHES FLUOROSINT
 SPRINGS STAINLESS STEEL

ALL WELDS TO ASME VII DIV1
 UW-35 AND UW-36

CUSTOMER APPROVAL		
COMPANY	APPROVAL SIGNATURE	SIGNATORY NAME (BLOCK CAPITALS)

FORT VALE

SALES@FORTVALE.COM WWW.FORTVALE.COM
 ENGLAND, USA, CHINA
 NETHERLANDS, SINGAPORE

© FORT VALE ENGINEERING LTD 2018. DO NOT SCALE- IF IN DOUBT ASK

UNLESS OTHERWISE STATED	FIRST ANGLE PROJECTION	MATERIAL: 304 / 316 STST
X.X ±0.5	SURFACE FINISH 3.2um MAX	SCALE: NTS
X.XX ±0.25	CORNER RADII 0.8	MASS: 18.92 kg
X.XXX ±0.125	CORNER CHAMFER 1.0 X 45°	CHECKED DVN: 31126
ANGLES ±0.5°	REMOVE ALL BURRS AND SHARP EDGES	SHEET 1 OF 1
DESCRIPTION	REGISTERED FIRM: LRQ4007111	DRAWN BY: D BAILEY
2" GAS FOOTVALVE SHORT PROFILE	DATE: 03-Apr-06	DRG.NO.
2" LIQUID PHASE LEFT HAND		802B/0010L
A1 UNITS mm		