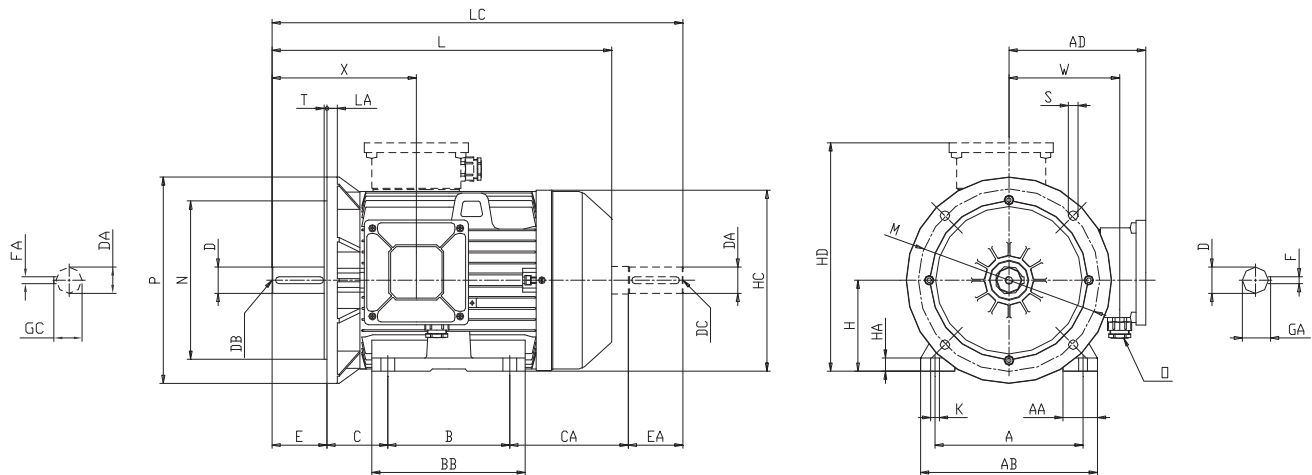


Dimensioni d'ingombro

Overall dimensions

Forma B3/B5 - Grandezza 63÷160T
Motori autoventilati (IC 411)

Mounting B3/B5 - Frame size 63÷160T
Self-ventilated motors (IC 411)



Tipo Type	Poli Poles	Dimensioni / Dimensions																	
		A	AA	AB	AD	B	BB	C	CA	H	HA	HC	HD	K	L	LC	X	W	O
63	2-4-6-8	100	28	128	95	80	103	40	73	63	7	125	158	6	212	239	86	68	M16x1.5
71		112	24	137	115	90	101	45	85.5	71	10	144	186	7	238	280.5	111	88	M20x1.5
80		125	30	155	126	100	122	50	93.5	80	10	164	206	9	274	323.5	113	96	M20x1.5
90S		140	34	175	142	100	125	56	118	90	12	180	232	10	297	374	134	115	M20x1.5
90L		140	34	175	142	125	150	56	118	90	12	180	232	10	322	399	134	115	M20x1.5
100L		160	37	198	155	140	173	63	107	100	14	205	255	12	361	430	160	123	M25x1.5
112MT		190	38	224	155	140	178	70	100	112	15	217	267	12	361	430	160	123	M25x1.5
112M		190	38	228	170	140	172	70	114	112	17	222	282	13	380	444	157	140	M25x1.5
132S		216	50	258	200	140	225	89	167	132	19	264	332	13	470	556	198	162	M25x1.5
132M		216	50	258	200	178	225	89	173	132	19	264	332	13	496	600	198	162	M25x1.5
160MT		254	60	292	215	210	250	108	165	160	18	290	375	14	570	673	275	170	M32x1.5

Tipo Type	Poli Poles	Flangia B5 / Flange B5						Albero L.A. / DE shaft					Albero L.O.A. / NDE shaft					
		LA	M	N	P	S	T	D	E	F	GA	DB	DA	EA	FA	GC	DC	
63	2-4-6-8	10	115	95 j6	140	N.4 x 9.5	3	11 j6	23	4	12.5	M4x0.7	11 j6	23	4	12.5	M4x0.7	
71		10	130	110 j6	160	N.4 x 9.5	3.5	14 j6	30	5	16	M5x0.8	14 j6	30	5	16	M5x0.8	
80		12	165	130 j6	200	N.4 x 11.5	3.5	19 j6	40	6	21.5	M6x1	19 j6	40	6	21.5	M6x1	
90S		12	165	130 j6	200	N.4 x 11.5	3.5	24 j6	50	8	27	M8x1.25	24 j6	50	8	27	M8x1.25	
90L		12	165	130 j6	200	N.4 x 11.5	3.5	24 j6	50	8	27	M8x1.25	24 j6	50	8	27	M8x1.25	
100L		14	215	180 j6	250	N.4 x 14	4	28 j6	60	8	31	M10x1.5	28 j6	60	8	31	M10x1.5	
112MT		14	215	180 j6	250	N.4 x 14	4	28 j6	60	8	31	M10x1.5	28 j6	60	8	31	M10x1.5	
112M		14	215	180 j6	250	N.4 x 14	4	28 j6	60	8	31	M10x1.5	28 j6	60	8	31	M10x1.5	
132S		14	265	230 j6	300	N.4 x 14	4	38 k6	80	10	41	M12x1.75	38 k6	80	10	41	M12x1.75	
132M		14	265	230 j6	300	N.4 x 14	4	38 k6	80	10	41	M12x1.75	38 k6	80	10	41	M12x1.75	
160MT		15	300	250 h6	350	N.4 x 18	5	42 k6	110	12	45	M16x2	38 k6	80	10	41	M12x1.75	