

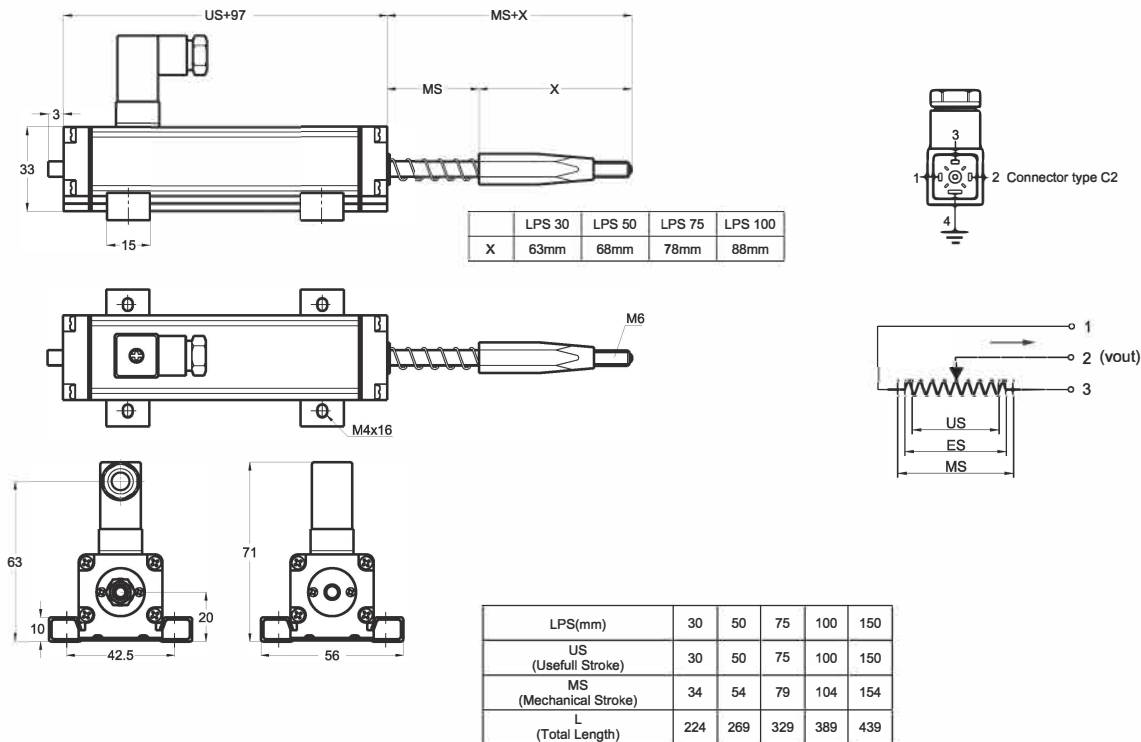
Linear Potentiometer Spring Return

- Measuring range 30 - 150 mm
- Long mechanical life 100 million cycles
- Excellent repeatability <0.01 mm
- Infinite resolution
- 5 KOhm or 10 KOhm



Technical specifications

Measurement stroke	30 to 150 mm
Linearity	±%0,1 (130-200mm), ±%0,2 (75 - 130mm), ±%0,5 (<75mm)
Repeatability	< 0,01 mm
Resolution	Infinite
Resistance	5 kOhm or 10 kOhm
Resistance tolerance	± %20
Load resistance	100 kOhm min.
Recommended cursor current	<1 µA
Permissible applied voltage	28 VDC max.
Electrical connections	4 pin connector
Displacement speed	< 5 m/s
Mechanical life	100 million cycles
Case dimensions	33 mm x 33 mm
Case material	Anodized aluminium
Rod material	Stainless steel
Rod diameter	Ø6 mm
Mechanical fixing	Variable brackets
IP degree	IP 54
Operating temperature	-20°C ... +80°C
Storage temperature	-30°C ... +90°C



Model	Measurement stroke (mm)	Linearity (%)	Resistance (KOhm)	Connector / Cable
(example) LPS	100	D	5K	C2
LPS	30 ... 150 mm	D : ± %0,1 (130-200mm) ± %0,2 (75-130mm) ± %0,5 (<75mm)	5K : 5 KOhm 10K : 10 KOhm	C2 : 4 pin connector