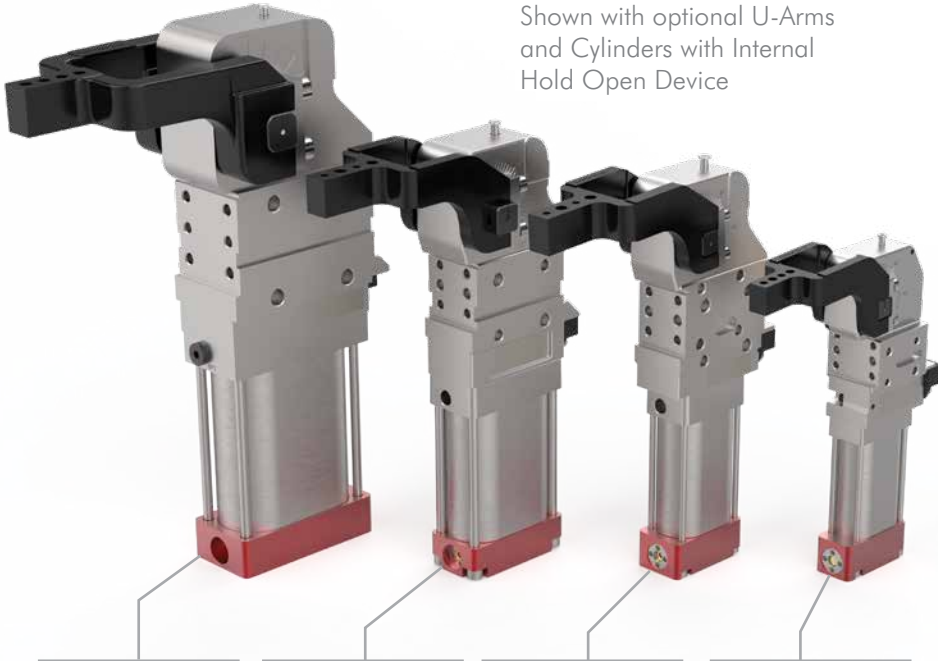


82M AND TCC SERIES

Pneumatic Power Clamps | Product Overview

82M Series Enclosed Power Clamp

Shown with optional U-Arms and Cylinders with Internal Hold Open Device



"B" Front Mount available for 82M and TCC size 40mm

Same mounting pattern as size 50 and 63mm



NAAMS Lateral Mounting available on 82M and TCC in addition to narrow, wide and NAAMS Clamp Arm Shafts

80mm

Max Holding Torque
3000 Nm
Max Clamping Torque
850 Nm at 5bar

63mm

Max Holding Torque
1800 Nm
Max Clamping Torque
420 Nm at 5bar

50mm

Max Holding Torque
1300 Nm
Max Clamping Torque
270 Nm at 5bar

40mm

Max Holding Torque
380 Nm
Max Clamping Torque
120 Nm at 5bar

Ordering Information

Dimensional Drawings

TCC Tolerance Compensating Power Clamp

Shown with optional U-Arms and Cylinders with Internal Hold Open Device



63mm

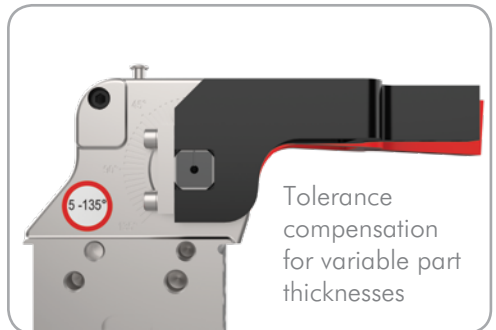
Max Holding Torque
295 Nm
Max Clamping Torque
295 Nm at 5bar

50mm

Max Holding Torque
175 Nm
Max Clamping Torque
175 Nm at 5bar

40mm

Max Holding Torque
85 Nm
Max Clamping Torque
85 Nm at 5bar



Tolerance compensation for variable part thicknesses

- Tolerance compensation for variable sheet metal thicknesses within three degrees of arm movement
- There is no need for shimming

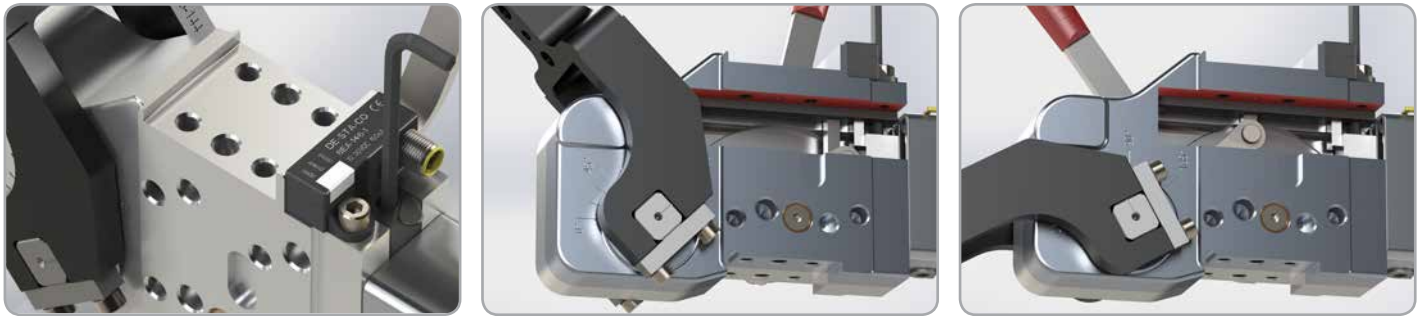
Ordering Information

Dimensional Drawings

82M AND TCC SERIES

Pneumatic Power Clamps | Product Overview

Adjusting the Arm Opening Angle

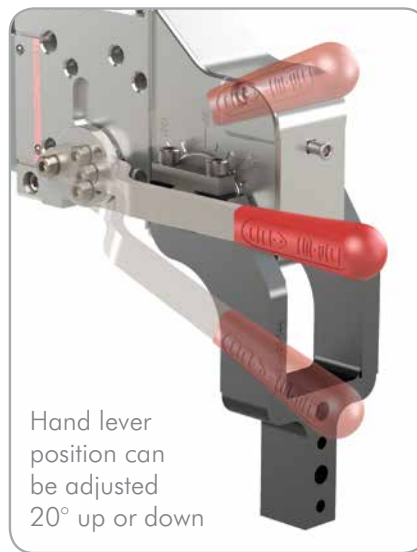


Easily adjust arm opening angle with an M5 Allen wrench.

- Move clamp arm to full open position.
- Using Allen wrench, release mechanism (leave Allen wrench in place).
- Move clamp arm to desired opening.
- Tighten to 20 Nm.

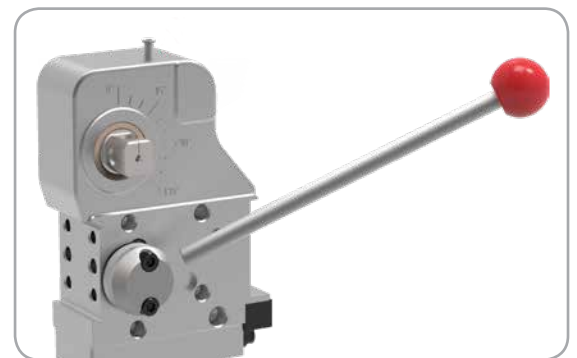
Enclosed Power Clamp Hand Lever (82M-3E Models Only)

Standard Adjustable Hand Lever



- Hand lever position is adjustable for improved ergonomics
- Handle can be mounted on the left or right side

Weldable Hand Lever



- Hand lever can be welded into a permanent position.
- Handle can be mounted on the left or right side

Dimensional Drawings

TCC-2 SERIES

Pneumatic Power Clamps with Tolerance Compensation | Ordering Information

TCC-2 **E** **03** **00** **6A** **L8**

| Base Model | Mounting | Description | Clamp Arm Shaft | Description | Handle | Description |
|------------|----------|--|--------------------------------------|------------------|-----------|---------------|
| | E | Standard Mounting | 03 | for U-Arms | 00 | No Hand lever |
| | B | Common Front Mount for Size 40 only (same mount pattern as size 50 & 63) | 23 | for Lateral Arms | | |
| | N | NAAMS Side Mounting for Size 63 only | <i>See below for further details</i> | | | |

Mounting



Size 40



Size 50



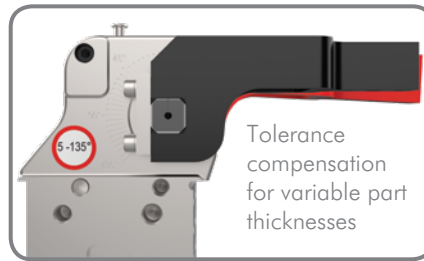
Size 63



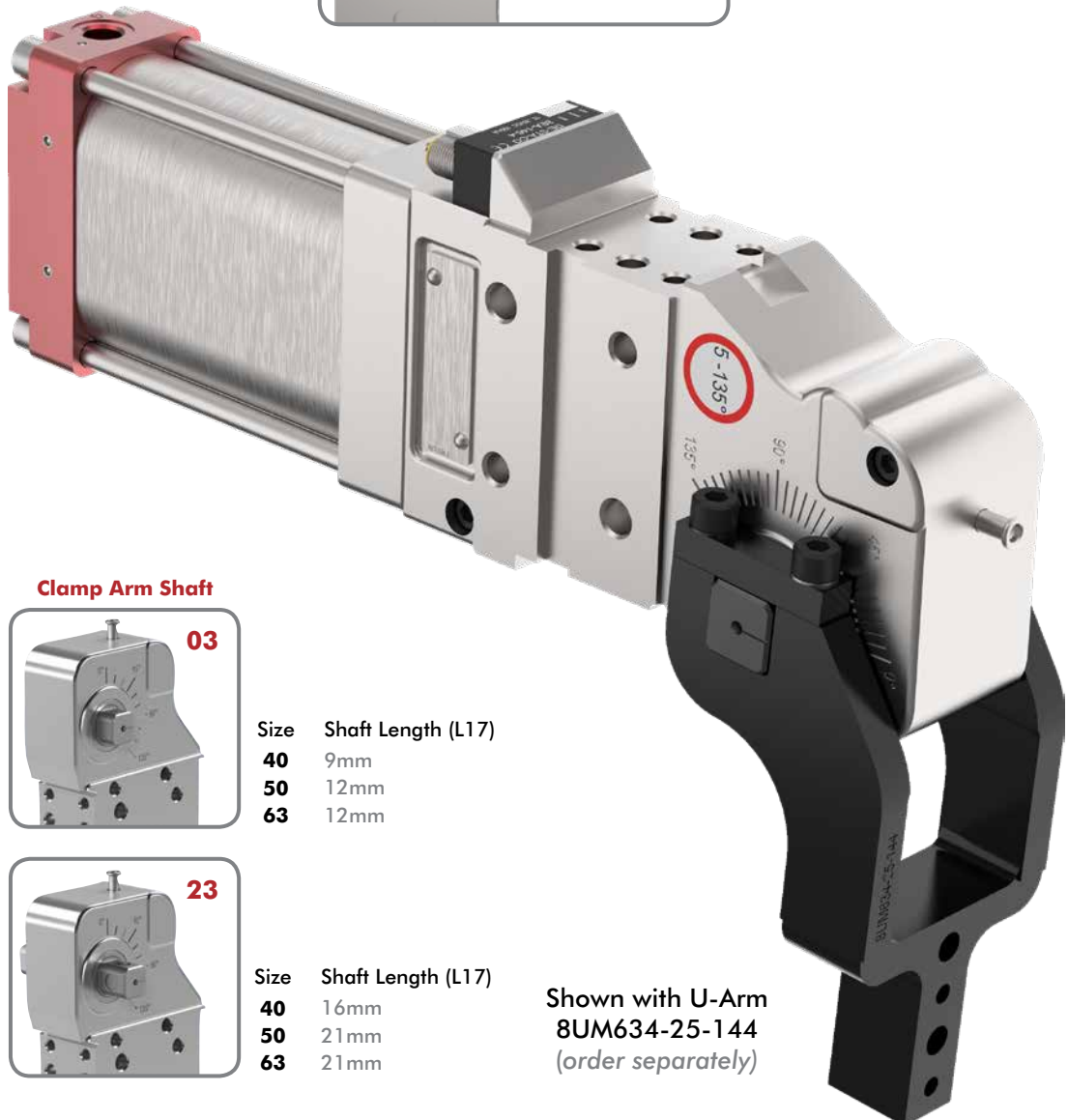
Size 40 Only



Size 63 Only



- Tolerance compensation for variable sheet metal thicknesses within three degrees of arm movement
- There is no need for shimming



Clamp Arm Shaft



03

| Size | Shaft Length (L17) |
|-----------|--------------------|
| 40 | 9mm |
| 50 | 12mm |
| 63 | 12mm |



23

| Size | Shaft Length (L17) |
|-----------|--------------------|
| 40 | 16mm |
| 50 | 21mm |
| 63 | 21mm |

Shown with U-Arm
8UM634-25-144
(order separately)

TCC-2 SERIES

Pneumatic Power Clamps with Tolerance Compensation | Ordering Information

| Sensor | Description |
|------------|---|
| 00 | No sensor |
| L8* | PNP with In-line Connector (Replacement No.: 8EA-146-4) |
| N8* | NPN with In-line Connector (Replacement No.: 8EA-154-4) |
| L9 | PNP with 90 deg Connection (Replacement No.: 8EA-147-4) |
| N9 | NPN with 90 deg Connection (Replacement No.: 8EA-155-4) |
| K8 | PNP with Cable Connection (Replacement No.: 8EA-158-4) |
| K9 | NPN with Cable Connection (Replacement No.: 8EA-167-4) |

*Not available for use with 4V, 5V, 6V cylinder option.



L8/N8



L9/N9



K8/K9



Cylinder - Standard

- 40** 40mm Cylinder - G1/8 Port
- 50** 50mm Cylinder - G1/4 Port
- 5N** 50mm Cylinder - 1/4-18 NPT Port
- 63** 63mm Cylinder - G1/4 Port
- 6N** 63mm Cylinder - 1/4-18 NPT Port



Cylinder with Unlockable Return Valve

- 4C** 40mm Cylinder - G1/8 Port
- 5C** 50mm Cylinder - G1/4 Port
- 5D** 50mm Cylinder - 1/4-18 NPT Port
- 6C** 63mm Cylinder - G1/4 Port
- 6D** 63mm Cylinder - 1/4-18 NPT Port



Cylinder with Internal Hold Open Device

- 4A** 40mm Cylinder - G1/8 Port
- 5A** 50mm Cylinder - G1/4 Port
- 5B** 50mm Cylinder - 1/4-18 NPT Port
- 6A** 63mm Cylinder - G1/4 Port
- 6B** 63mm Cylinder - 1/4-18 NPT Port



Cylinder with Piston Rod Locking Device

- 4V** 40mm Cylinder - G1/8 Port
- 5V** 50mm Cylinder - G1/4 Port
- 6V** 63mm Cylinder - G1/4 Port



40

Max Holding Torque
85 Nm
Max Clamping Torque
85 Nm at 5bar

50

Max Holding Torque
175 Nm
Max Clamping Torque
175 Nm at 5bar

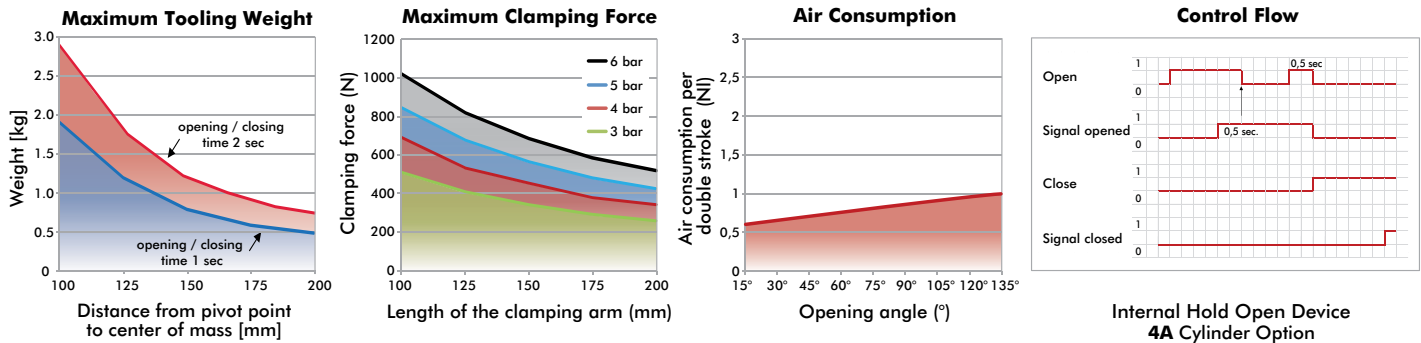
63

Max Holding Torque
295 Nm
Max Clamping Torque
295 Nm at 5bar

TCC-2 SERIES

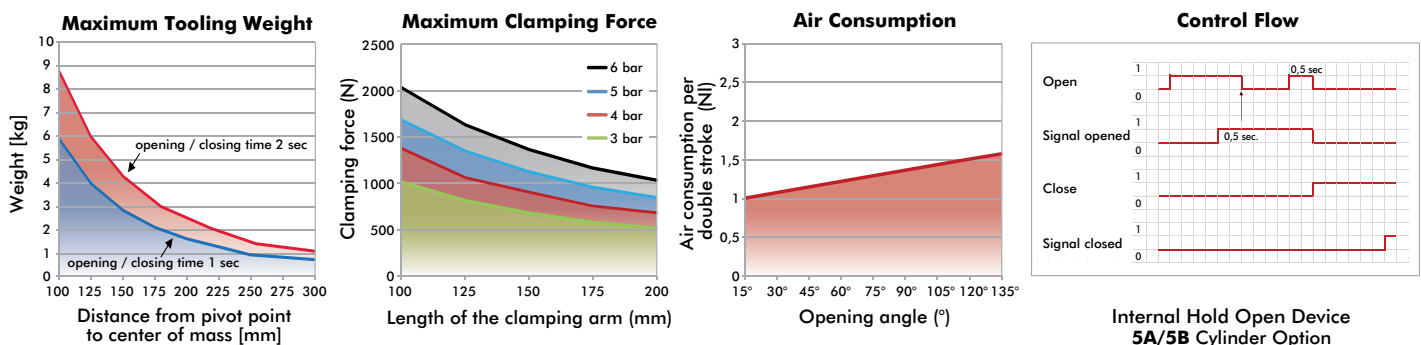
Pneumatic Power Clamps with Tolerance Compensation | Technical Specifications

| Model | Max. Holding Torque (Nm) | Clamping Torque at 5 bar (Nm) | Cylinder Ø (mm) | Weight (kg) | Air Consumption per double stroke at 5 bar (liter) |
|----------------|--------------------------|-------------------------------|-----------------|-------------|--|
| TCC-2.....40.. | 85 | 85 | 40 | 1,6 | 0,9 |
| TCC-2.....4A.. | | | | | |
| TCC-2.....4B.. | | | | | |
| TCC-2.....4C.. | | | | 1,7 | |
| TCC-2.....4V.. | | | | 1,6 | |



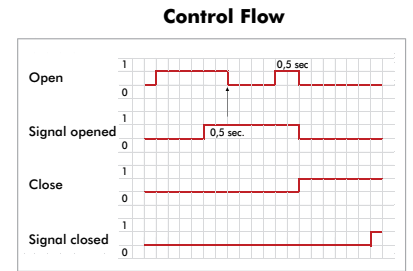
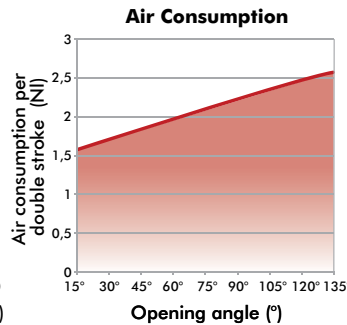
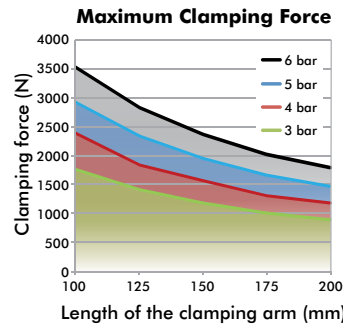
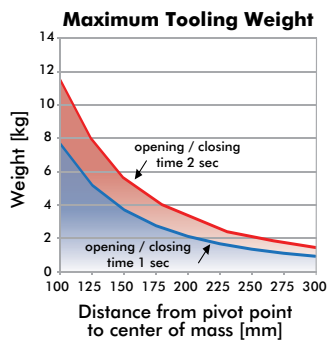
ATTENTION: Calculation tool available. Please consult factory.

| Model | Max. Holding Torque (Nm) | Clamping Torque at 5 bar (Nm) | Cylinder Ø (mm) | Weight (kg) | Air Consumption per double stroke at 5 bar (liter) |
|---------------|--------------------------|-------------------------------|-----------------|-------------|--|
| TCC-2E...50.. | 175 | 175 | 50 | 2,8 | 1,6 |
| TCC-2E...5N.. | | | | | |
| TCC-2E...5A.. | | | | | |
| TCC-2E...5B.. | | | | | |
| TCC-2E...5C.. | | | | 3,0 | |
| TCC-2E...5D.. | | | | | |
| TCC-2E...5V.. | | | | 2,9 | |



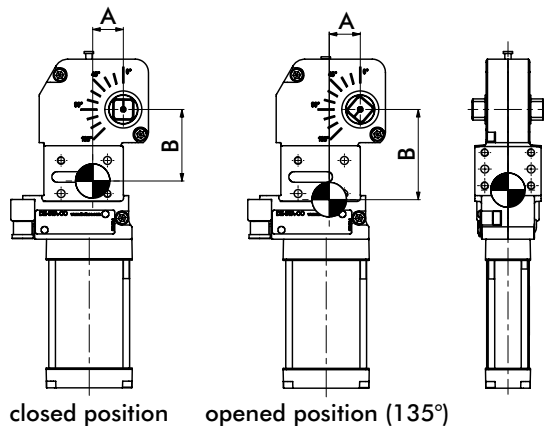
ATTENTION: Calculation tool available. Please consult factory.

| Model | Max. Holding Torque (Nm) | Clamping Torque at 5 bar (Nm) | Cylinder Ø (mm) | Weight (kg) | Air Consumption per double stroke at 5 bar (liter) |
|----------------|--------------------------|-------------------------------|-----------------|-------------|--|
| TCC-2.....63.. | 295 | 295 | 63 | 3,8 | 2,6 |
| TCC-2.....6N.. | | | | 4,0 | |
| TCC-2.....6A.. | | | | | |
| TCC-2.....6B.. | | | | | |
| TCC-2.....6C.. | | | | | |
| TCC-2.....6D.. | | | | | |
| TCC-2.....6V.. | 4,2 | | | | |



ATTENTION: Calculation tool available. Please consult factory.

Center of Mass



| Model | A | | B | | Weight |
|----------------|--------|------|--------|------|--------|
| | Closed | Open | Closed | Open | |
| TCC-2E...40.. | 23 | 24 | 55 | 69 | 1,5 |
| TCC-2B...40.. | 24 | | 54 | 68 | |
| TCC-2E...4A.. | 22 | | | 86 | 1,6 |
| TCC-2B...4A.. | 23 | 23 | 72 | 85 | |
| TCC-2E...4C.. | 25 | | | 89 | 1,7 |
| TCC-2B...4C.. | 26 | 26 | 76 | 88 | |
| TCC-2E...4V.. | 24 | | | 80 | 1,6 |
| TCC-2B...4V.. | 24 | 24 | 66 | 79 | |
| TCC-2E...50.. | | | | 87 | 2,6 |
| TCC-2E...5N.. | 24 | 25 | 70 | 87 | |
| TCC-2E...5A.. | | | | 99 | 2,8 |
| TCC-2E...5B.. | | | 83 | 99 | |
| TCC-2E...5C.. | 27 | | | 110 | 3,0 |
| TCC-2E...5D.. | 27 | 27 | 96 | 110 | |
| TCC-2E...5V.. | 25 | | | 99 | 2,9 |
| TCC-2E...5V.. | 25 | 26 | 84 | 99 | |
| TCC-2.....63.. | | | | 105 | 3,7 |
| TCC-2.....6N.. | 27 | 28 | 89 | 105 | |
| TCC-2.....6A.. | | | | 114 | 3,9 |
| TCC-2.....6B.. | | | 98 | 114 | |
| TCC-2.....6C.. | 30 | | | 130 | 4,4 |
| TCC-2.....6D.. | 30 | 30 | 116 | 130 | |
| TCC-2.....6V.. | 28 | | | 119 | 3,9 |
| TCC-2.....6V.. | 28 | 28 | 103 | 119 | |

82M-3 SERIES

Pneumatic Power Clamps | Ordering Information

82M-3 **E** **23** **H0** **50** **L8** - **1** — North America Only

| Base Model | Mounting | Description |
|------------|----------|--|
| | E | Standard Mounting |
| | B | Common Front Mount for Size 40 only (same mount pattern as size 50 & 63) |
| | N | NAAMS Side Mounting for Size 63 only |

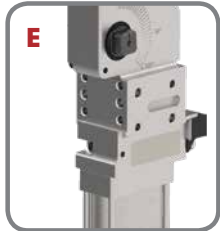
| Clamp Arm Shaft | Description |
|-----------------|---------------------------------------|
| 03 | for U-Arms |
| 23 | for Lateral Arms |
| D0 | for Lateral Arms (size 63 NAAMS only) |

| Handle | Description |
|-----------|---------------|
| 00 | No Hand lever |
| H0 | Hand Lever |
| HS | Weldable |

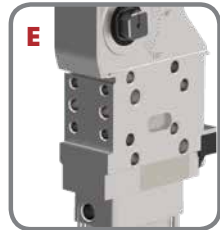
See below for further details

See below for further details

Mounting



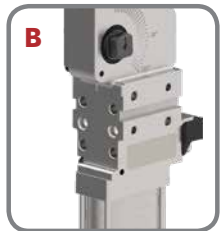
Size 40



Size 50



Size 63/80



Size 40 Only



Size 63 Only

Clamp Arm Shaft



03

| Size | Shaft Length (L17) |
|-----------|--------------------|
| 40 | 9mm |
| 50 | 12mm |
| 63 | 12mm |



23/D0

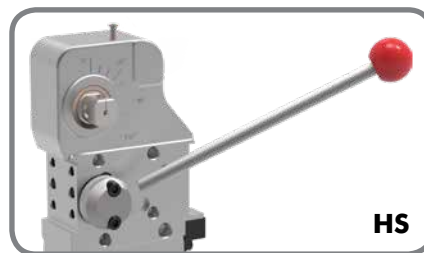
| Size | Shaft Length (L17) |
|-----------|--------------------|
| 40 | 16mm |
| 50 | 21mm |
| 63 | 21mm |
| 80 | 32mm |

| Size | Shaft Length (L17) |
|-----------|--------------------|
| D0 | 26mm |

Hand Lever

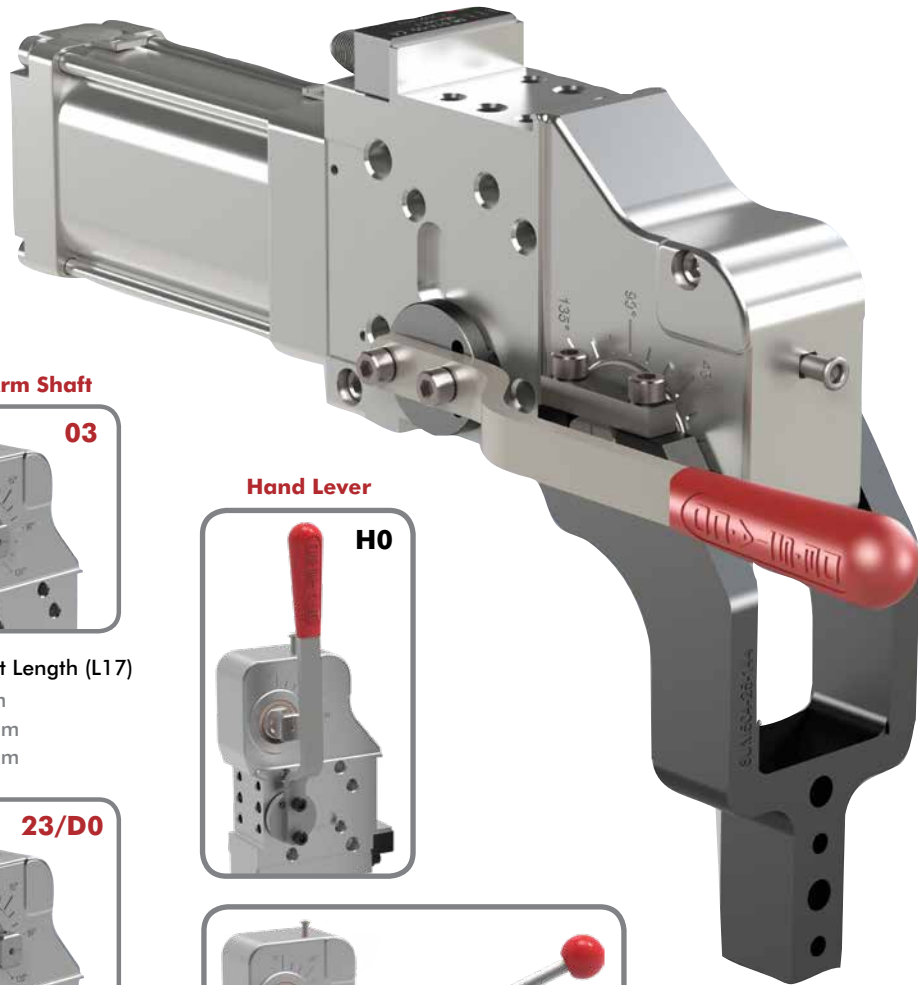


H0



HS

| Hand Lever | Description |
|------------|--|
| 00 | No Hand Lever |
| H0 | Standard Hand Lever (not compatible with cylinder options *A and *B) |
| HS | Weldable Hand Lever (not compatible with cylinder options *A and *B) |



Shown with U-Arm
8UM504-25-144
(order separately)

82M-3 SERIES

Pneumatic Power Clamps | Ordering Information

| Sensor | Description |
|-----------|---|
| 00 | No sensor |
| L8 | PNP with In-line Connector (Replacement No.: 8EA-146-4) |
| N8 | NPN with In-line Connector (Replacement No.: 8EA-154-4) |
| L9 | PNP with 90 deg Connection (Replacement No.: 8EA-147-4) |
| N9 | NPN with 90 deg Connection (Replacement No.: 8EA-155-4) |
| K8 | PNP with Cable Connection (Replacement No.: 8EA-158-4) |
| K9 | NPN with Cable Connection (Replacement No.: 8EA-167-4) |



Cylinder - Standard

- 40** 40mm Cylinder - G1/8 Port
- 50** 50mm Cylinder - G1/4 Port
- 5N** 50mm Cylinder - 1/4-18 NPT Port
- 63** 63mm Cylinder - G1/4 Port
- 6N** 63mm Cylinder - 1/4-18 NPT Port
- 80** 80mm Cylinder - G1/4 Port
- 8N** 80mm Cylinder - 1/4-18 NPT Port



Cylinder with Internal Hold Open Device

- 4A** 40mm Cylinder - G1/8 Port
- 5A** 50mm Cylinder - G1/4 Port
- 5B** 50mm Cylinder - 1/4-18 NPT Port
- 6A** 63mm Cylinder - G1/4 Port
- 6B** 63mm Cylinder - 1/4-18 NPT Port
- 8A** 80mm Cylinder - G1/4 Port
- 8B** 80mm Cylinder - 1/4-18 NPT Port



40

Max Holding Torque
380 Nm
Max Clamping Torque
120 Nm at 5bar

50

Max Holding Torque
1300 Nm
Max Clamping Torque
270 Nm at 5bar

63

Max Holding Torque
1800 Nm
Max Clamping Torque
420 Nm at 5bar

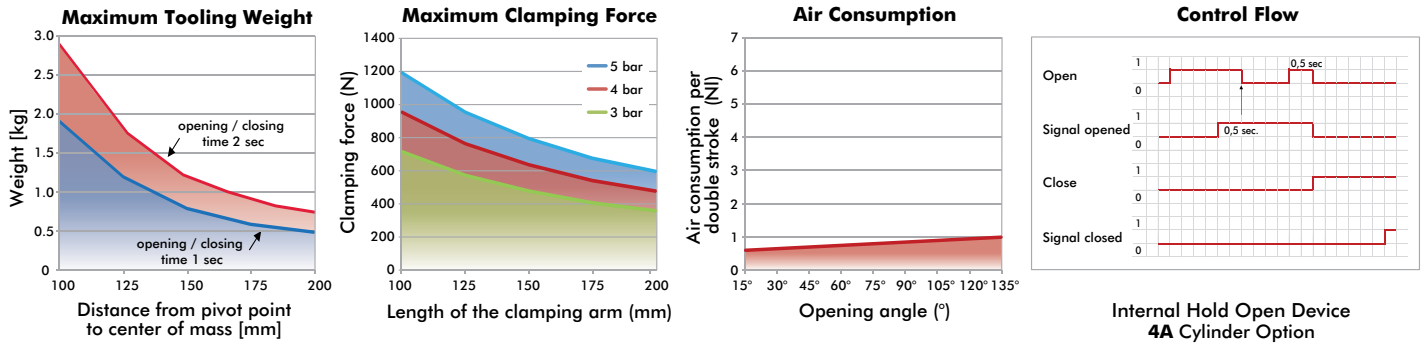
80

Max Holding Torque
3000 Nm
Max Clamping Torque
850 Nm at 5bar

82M-3 SERIES

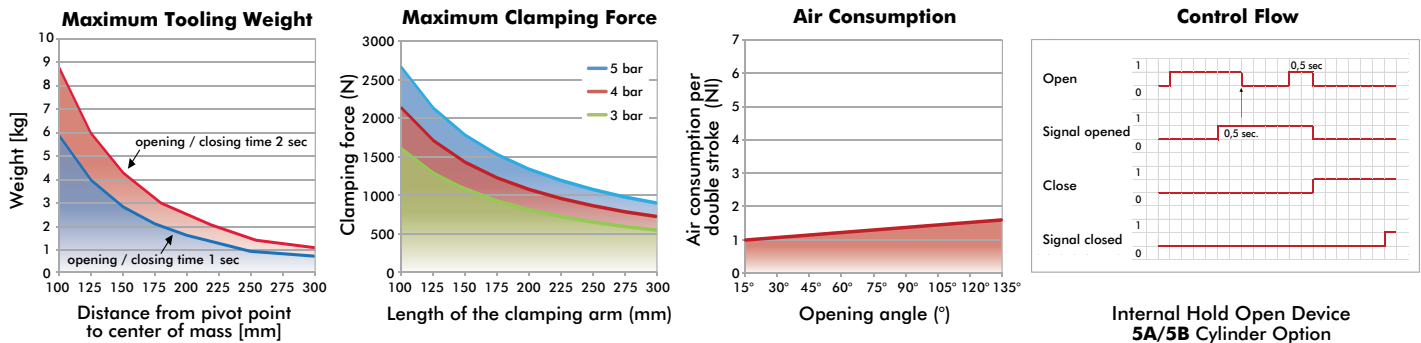
Pneumatic Power Clamps | Technical Specifications

| Model | Max. Holding Torque (Nm) | Clamping Torque at 5 bar (Nm) | Cylinder Ø (mm) | Weight (kg) | Air Consumption per double stroke at 5 bar (liter) |
|---------------|--------------------------|-------------------------------|-----------------|-------------|--|
| 82M-3E...4... | 380 | 120 | 40 | 1,5 | 0,9 |
| 82M-3B...4... | | | | | |



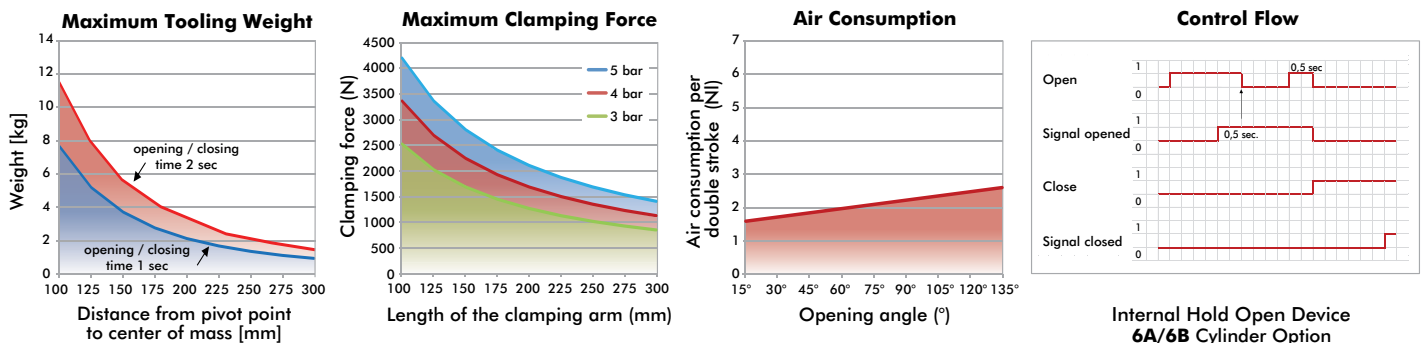
ATTENTION: Calculation tool available. Please consult factory.

| Model | Max. Holding Torque (Nm) | Clamping Torque at 5 bar (Nm) | Cylinder Ø (mm) | Weight (kg) | Air Consumption per double stroke at 5 bar (liter) |
|---------------|--------------------------|-------------------------------|-----------------|-------------|--|
| 82M-3E...5... | 1300 | 270 | 50 | 2,8 | 1,6 |



ATTENTION: Calculation tool available. Please consult factory.

| Model | Max. Holding Torque (Nm) | Clamping Torque at 5 bar (Nm) | Cylinder Ø (mm) | Weight (kg) | Air Consumption per double stroke at 5 bar (liter) |
|---------------|--------------------------|-------------------------------|-----------------|-------------|--|
| 82M-3E...6... | 1800 | 420 | 63 | 3,8 | 2,6 |
| 82M-3N...6... | | | | | |

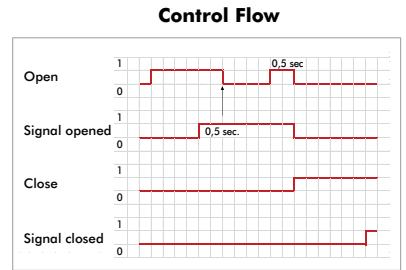
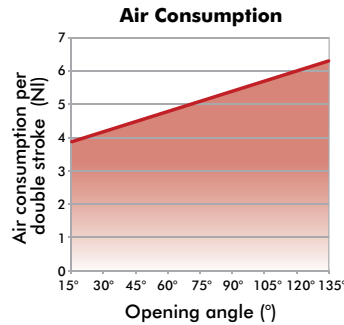
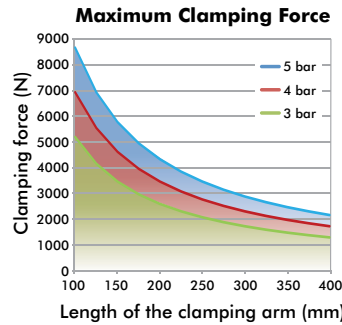
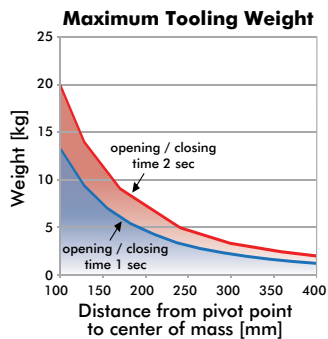


ATTENTION: Calculation tool available. Please consult factory.

82M-3 SERIES

Pneumatic Power Clamps | Technical Specifications

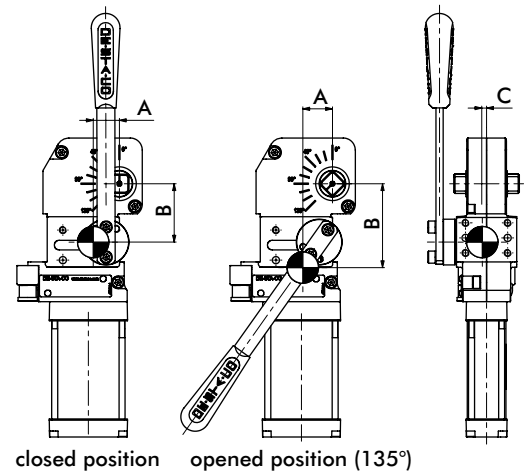
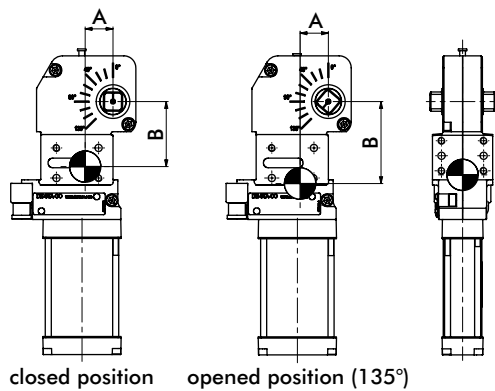
| Model | Max. Holding Torque (Nm) | Clamping Torque at 5 bar (Nm) | Cylinder Ø (mm) | Weight (kg) | Air Consumption per double stroke at 5 bar (liter) |
|---------------|--------------------------|-------------------------------|-----------------|-------------|--|
| 82M-3E...80.. | 3000 | 850 | 80 | 8,7 | 6,3 |
| 82M-3E...8N.. | | | | 8,8 | |
| 82M-3E...8A.. | | | | | |
| 82M-3E...8B.. | | | | | |



Internal Hold Open Device
8A/8B Cylinder Option

ATTENTION: Calculation tool available. Please consult factory.

Center of Mass



| Model | Without Handle | | | | Weight |
|---------------|----------------|------|--------|------|--------|
| | A | | B | | |
| | Closed | Open | Closed | Open | |
| 82M-3E...40.. | 23 | 24 | 55 | 69 | 1,5 |
| 82M-3B...40.. | 24 | 24 | 54 | 68 | |
| 82M-3E...4A.. | 22 | 23 | 72 | 86 | 1,6 |
| 82M-3B...4A.. | 23 | | 85 | | |
| 82M-3E...50.. | 24 | 25 | 70 | 87 | 2,8 |
| 82M-3E...5N.. | | | 83 | 99 | |
| 82M-3E...5A.. | | | 83 | 99 | |
| 82M-3E...5B.. | | | 83 | 99 | |
| 82M-3...63.. | 27 | 28 | 88 | 103 | 3,8 |
| 82M-3...6N.. | | | 98 | 114 | |
| 82M-3...6A.. | | | 98 | 114 | |
| 82M-3...6B.. | | | 98 | 114 | |
| 82M-3E...80.. | 36 | 37 | 98 | 123 | 8,7 |
| 82M-3E...8N.. | | | 98 | 123 | |
| 82M-3E...8A.. | | | 104 | 129 | |
| 82M-3E...8B.. | | | 104 | 129 | |

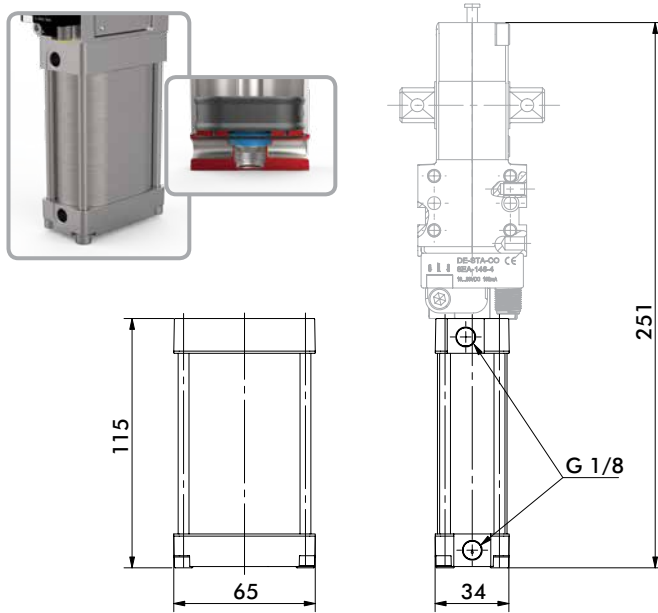
| Model | With Handle | | | | C | Weight |
|---------------|-------------|------|--------|------|---|--------|
| | A | | B | | | |
| | Closed | Open | Closed | Open | | |
| 82M-3E...40.. | 22 | 25 | 49 | 70 | 4 | 1,6 |
| 82M-3B...40.. | 24 | 27 | 46 | 67 | | |
| 82M-3E...50.. | 23 | 30 | 62 | 85 | 3 | 3,1 |
| 82M-3E...5N.. | | | 62 | 85 | | |
| 82M-3...63.. | 26 | 30 | 80 | 102 | 3 | 4,2 |
| 82M-3...6N.. | | | 80 | 102 | | |
| 82M-3E...80.. | 35 | 38 | 93 | 122 | 2 | 9,2 |
| 82M-3E...8N.. | | | 93 | 122 | | |

82M-3/TCC-2 SERIES 40MM

Pneumatic Power Clamps | Cylinder Options Dimension and Technical Specifications

82M-3/TCC-2.....40

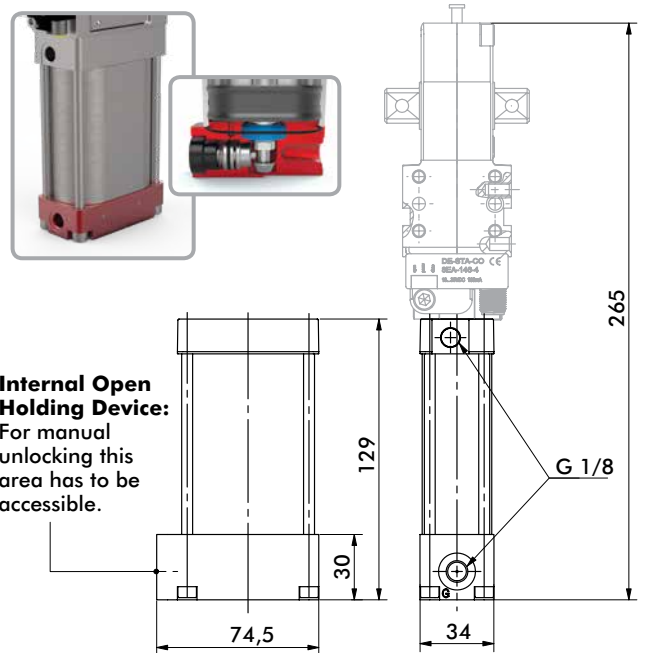
Standard Cylinder



82M-3/TCC-2.....4A

Cylinder with Internal Hold Open Device

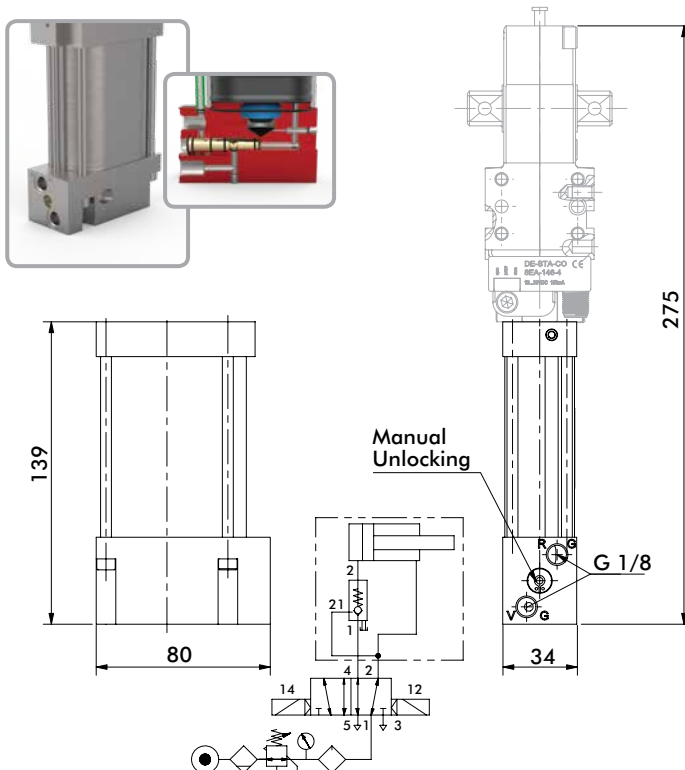
Securely holds clamp in the open position.



TCC-2.....4C

Cylinder with Unlock-able Return Valve

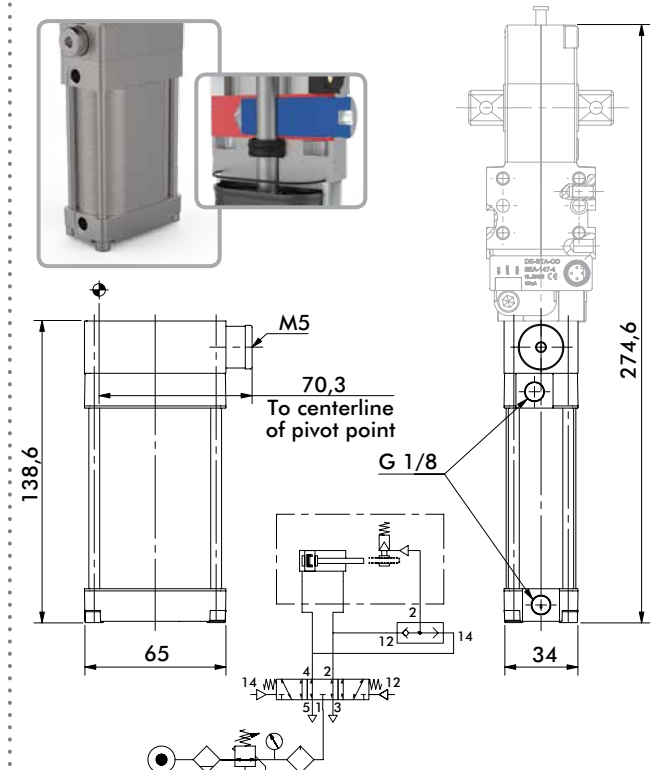
Pneumatically holds clamp arm in the closed position when air is released.



TCC-2.....4V

Cylinder with Rod Locking Device

Uses friction to clamp rod at any point between open and closed positions.

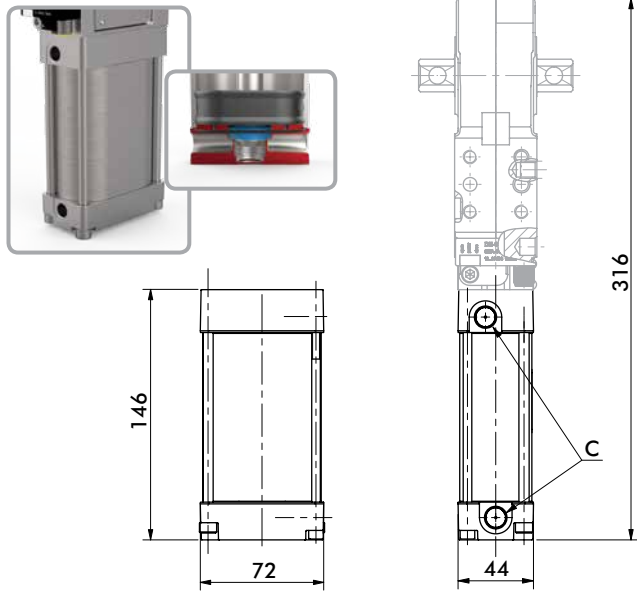


82M-3/TCC-2 SERIES 50MM

Pneumatic Power Clamps | Cylinder Options Dimension and Technical Specifications

82M-3E/TCC-2E...50/5N

Standard Cylinder



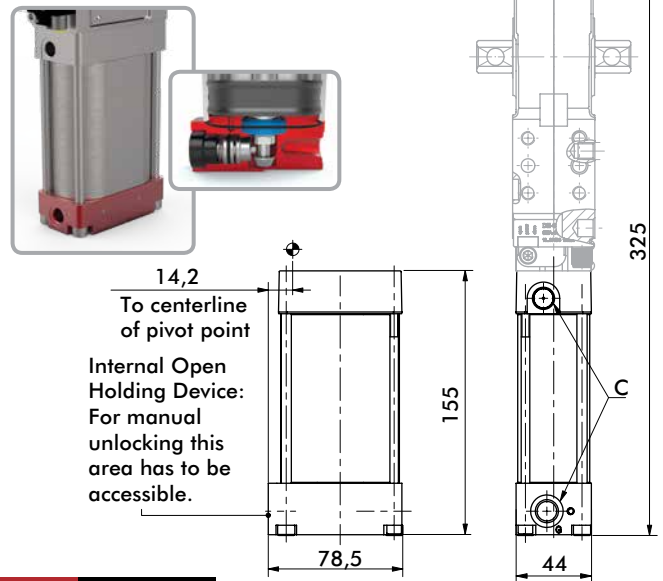
| Ports | C |
|-------|------------|
| 50 | G1/4 |
| 5N | 1/4-18 NPT |

Important! For optimal cushioning, external pneumatic one-way flow control valves should be used.

82M-3E/TCC-2E...5A/5B

Cylinder with Internal Hold Open Device

Securely holds clamp in the open position.



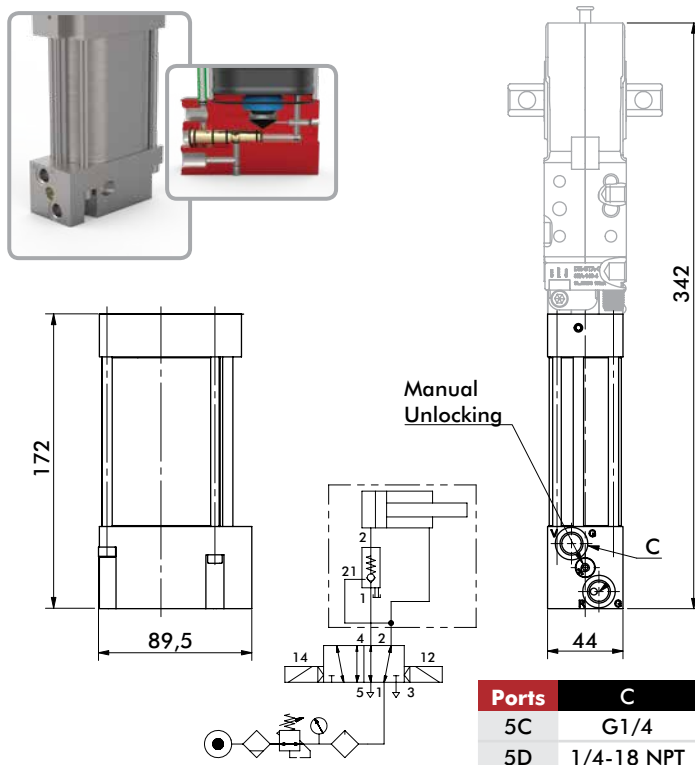
| Ports | C |
|-------|------------|
| 5A | G1/4 |
| 5B | 1/4-18 NPT |

Important! For optimal cushioning, external pneumatic one-way flow control valves should be used.

TCC-2E...5C/5D

Cylinder with Unlock-able Return Valve

Pneumatically holds clamp arm in the closed position when air is released.

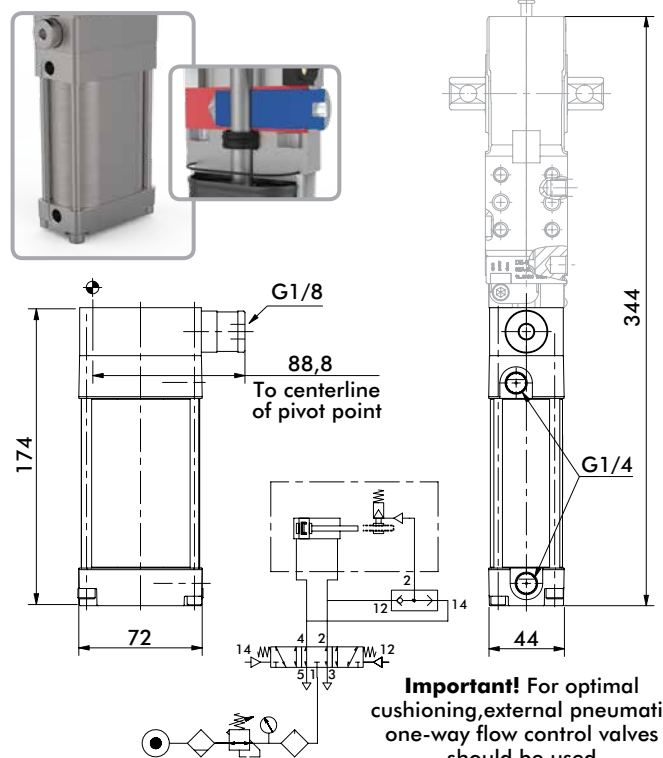


| Ports | C |
|-------|------------|
| 5C | G1/4 |
| 5D | 1/4-18 NPT |

TCC-2E...5V

Cylinder with Rod Locking Device

Uses friction to clamp rod at any point between open and closed positions.



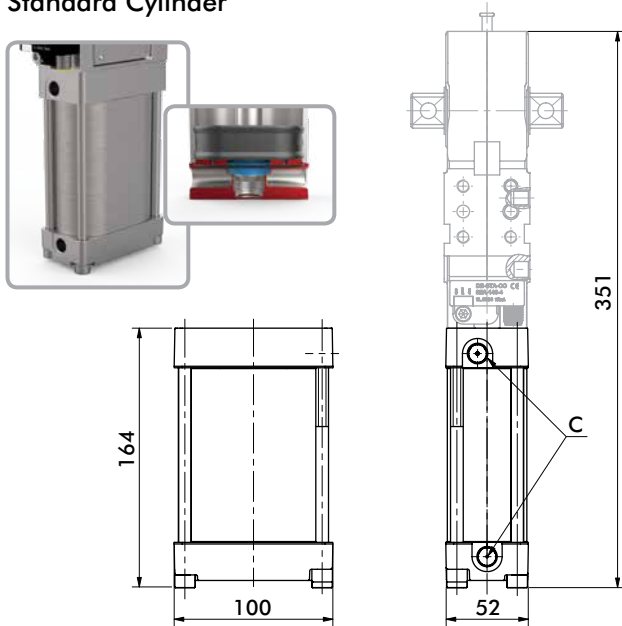
Important! For optimal cushioning, external pneumatic one-way flow control valves should be used.

82M-3/TCC-2 SERIES 63MM

Pneumatic Power Clamps | Cylinder Options Dimension and Technical Specifications

82M-3/TCC-2.....63/6N

Standard Cylinder



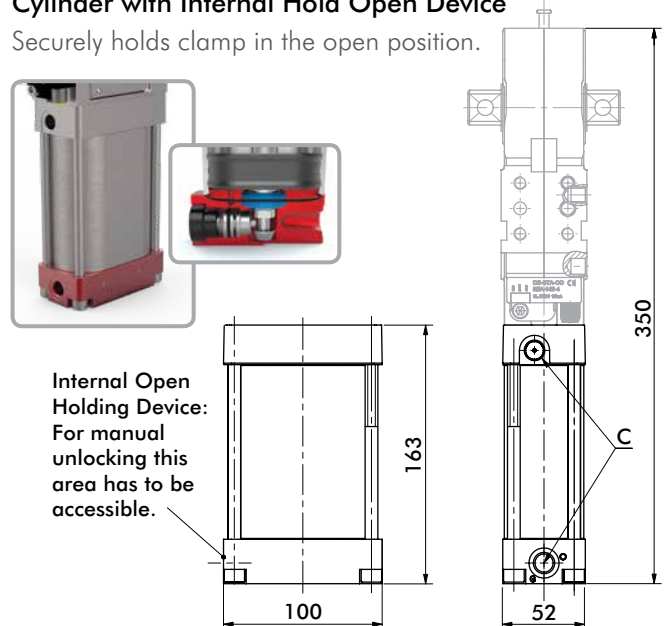
| Ports | C |
|-------|------------|
| 63 | G1/4 |
| 6N | 1/4-18 NPT |

Important! For optimal cushioning, external pneumatic one-way flow control valves should be used.

82M-3/TCC-2.....6A/6B

Cylinder with Internal Hold Open Device

Securely holds clamp in the open position.



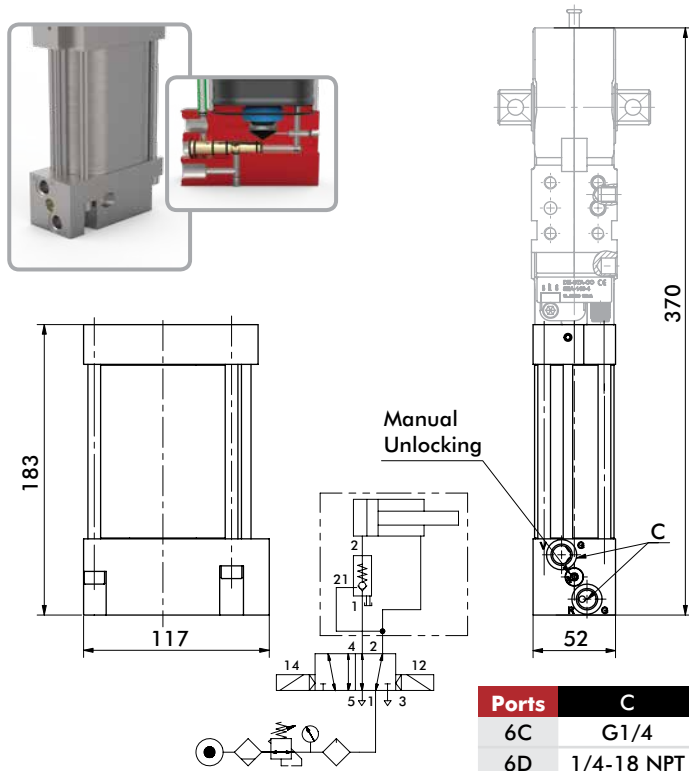
| Ports | C |
|-------|------------|
| 6A | G1/4 |
| 6B | 1/4-18 NPT |

Important! For optimal cushioning, external pneumatic one-way flow control valves should be used.

TCC-2.....6C/6D

Cylinder with Unlock-able Return Valve

Pneumatically holds clamp arm in the closed position when air is released.

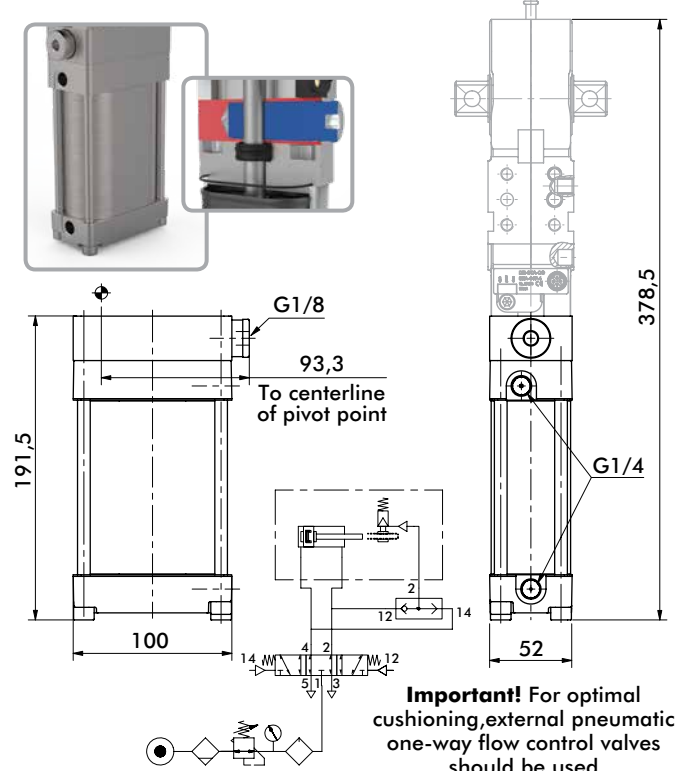


| Ports | C |
|-------|------------|
| 6C | G1/4 |
| 6D | 1/4-18 NPT |

TCC-2.....6V

Cylinder with Rod Locking Device

Uses friction to clamp rod at any point between open and closed positions.



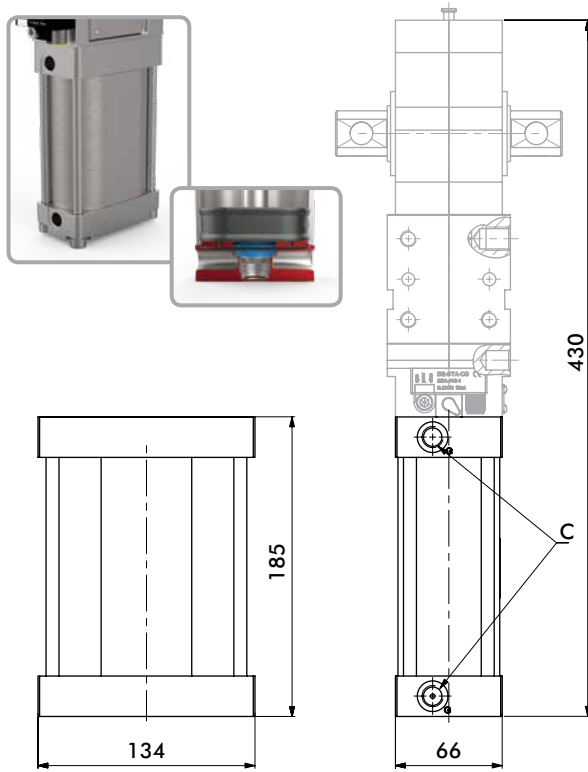
Important! For optimal cushioning, external pneumatic one-way flow control valves should be used.

82M-3 SERIES 80MM

Pneumatic Power Clamps | Cylinder Options Dimension and Technical Specifications

82M-3E...80/8N

Standard Cylinder



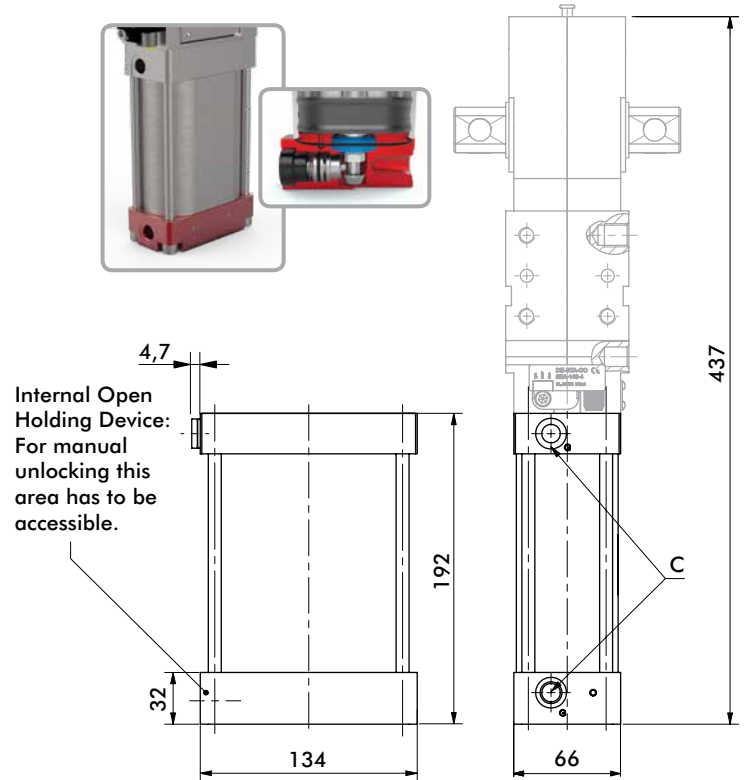
| Ports | C |
|-------|------------|
| 80 | G1/4 |
| 8N | 1/4-18 NPT |

Important! For optimal cushioning, external pneumatic one-way flow control valves should be used.

82M-3E...8A/8B

Cylinder with Internal Hold Open Device

Securely holds clamp in the open position.



Internal Open Holding Device:
For manual unlocking this area has to be accessible.

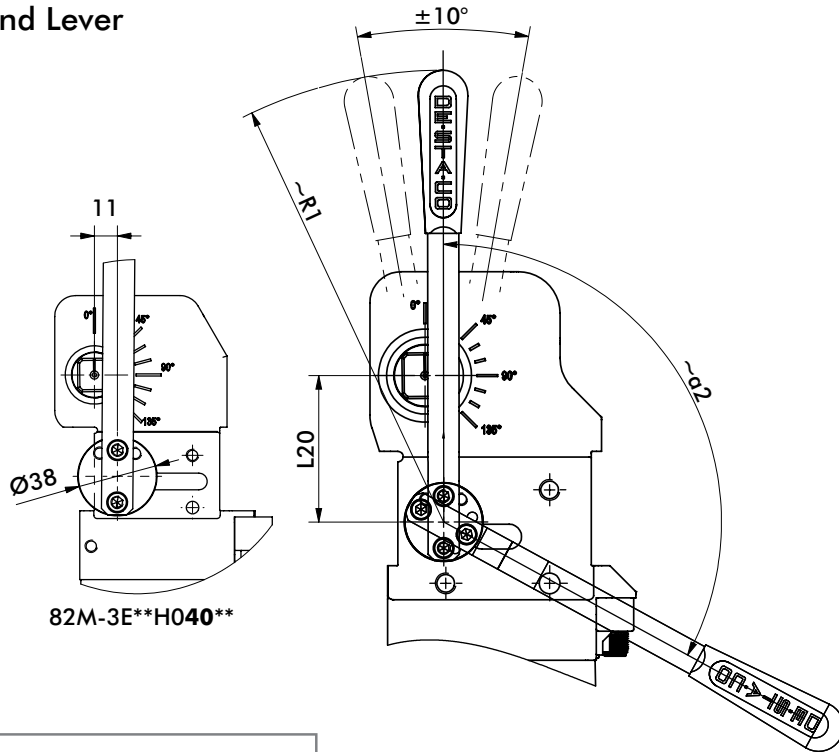
| Ports | C |
|-------|------------|
| 8A | G1/4 |
| 8B | 1/4-18 NPT |

Important! For optimal cushioning, external pneumatic one-way flow control valves should be used.

82M-3 ACCESSORIES

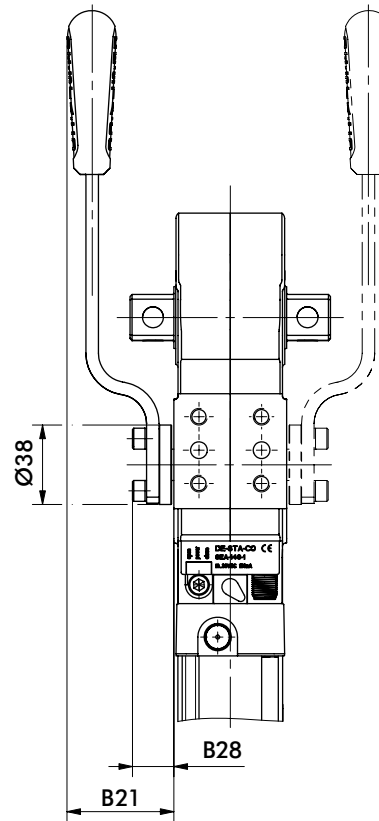
Pneumatic Power Clamps | Dimensions | Technical Specifications

Hand Lever

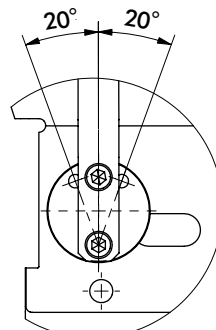
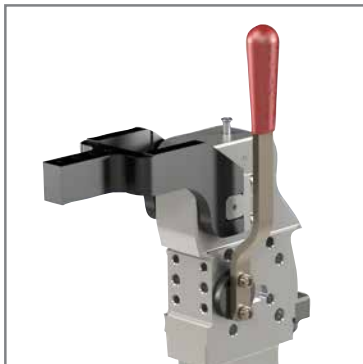
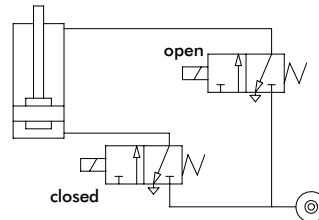


82M-3E**H040**

Hand lever left Hand lever right



Pneumatic circuit required for manual and pneumatic actuation.



Hand lever can be mounted in 3 positions



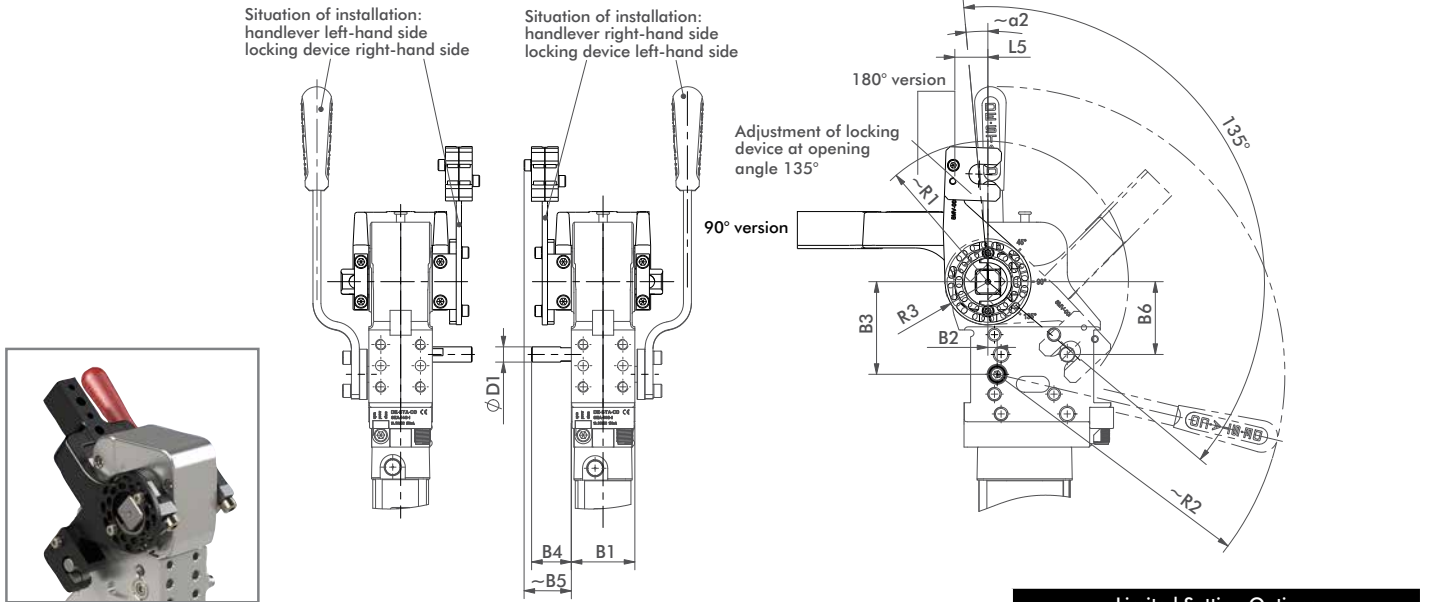
Hand lever position is adjustable to ± 20 degrees for improved ergonomics.

| Model No. | B21 | B28 | L20 | ~R1 | Swivel Angle $\alpha 2$ (with reference to opening angle of clamp arm) | | | | | | | | | |
|----------------|-----|-----|------|-----|---|-----|-----|-----|-----|-----|-----|------|------|------|
| | | | | | 0° | 15° | 30° | 45° | 60° | 75° | 90° | 105° | 120° | 135° |
| 82M-3...H040.. | 27 | 24 | 48,5 | 160 | 0° | 31° | 41° | 49° | 58° | 69° | 88° | 113° | 134° | 144° |
| 82M-3...H05... | 52 | 20 | 70 | 218 | -1° | 30° | 39° | 46° | 53° | 61° | 70° | 81° | 92° | 103° |
| 82M-3...H06.. | 52 | 20 | 70,5 | 218 | 0° | 30° | 39° | 47° | 56° | 66° | 79° | 94° | 108° | 119° |
| 82M-3...H08.. | 56 | 24 | 82 | 268 | -1° | 28° | 37° | 45° | 53° | 63° | 75° | 92° | 107° | 117° |

82M-3 ACCESSORIES

Pneumatic Power Clamps | Dimensions | Technical Specifications

Locking Device for Hand Lever

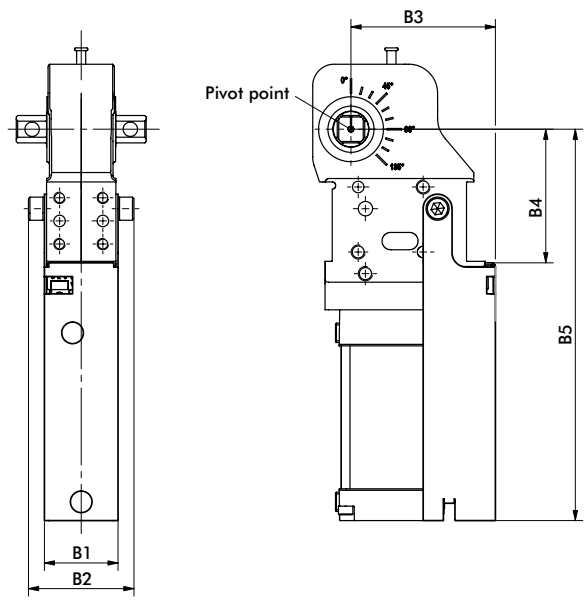


| Order No. | For Model | B1 | B2 | B3 | B4 | B5 | B6 | ØD1 | R1 | R2 | R3 | α2 | Limited Setting Options | | | | | |
|------------|----------------|----|----|------|----|----|------|------|-----|-----|------|----|-------------------------------------|------|--------------|------|------|------|
| | | | | | | | | | | | | | Height of the clamping arm: L5 max. | | | | | |
| | | | | | | | | | | | | | 90° version | | 180° version | | | |
| | | | | | | | | | | | | | 45 | 75 | 00 | 15 | 25 | 45 |
| 82ZB-162-1 | 82M-3...H040.. | 50 | 11 | 48,5 | 25 | 31 | 38,5 | 10,5 | 81 | 160 | 27 | 6 | 120° | - | 105° | 120° | 120° | 120° |
| 82ZB-084-1 | 82M-3...H05... | 48 | 7 | 70 | 30 | 36 | 55 | 11,5 | 107 | 218 | 32,5 | 6 | 120° | - | - | 105° | 120° | - |
| 82ZB-039-1 | 82M-3...H06... | 54 | 9 | 70,5 | 30 | 36 | 55 | 11,5 | 107 | 210 | 32,5 | 6 | 110° | 105° | - | 105° | 120° | - |



Anti-ramming device is only available for standard cylinder with 82M-3...00..00 and 82M-3...00..L8

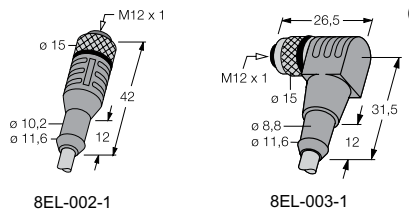
Anti-Ramming Device



| Order No. | For Model | B1 | B2 | B3 | B4 | B5 |
|-----------|---------------|----|-------|------|-------|-------|
| 8AB-151-1 | 82M-3....40.. | 53 | 66,5 | 89,5 | 65,5 | 210,5 |
| 8AB-152-1 | 82M-3....5... | 51 | 73 | 100 | 92,5 | 271 |
| 8AB-153-1 | 82M-3....6... | 57 | 79 | 120 | 104,5 | 296 |
| 8AB-154-1 | 82M-3....8... | 79 | 105,5 | 148 | 142,5 | 360 |

Cable and Connector

| Order No. | Description |
|-----------|--|
| 8EL-002-1 | M12x1, Straight, 5-pin Connector with 5m Cable |
| 8EL-003-1 | M12x1, Angular, 4-pin Connector with 5m Cable |

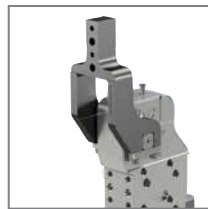


U-ARMS CENTER (ALUMINUM)

Pneumatic Power Clamps | Dimensions | Technical Specifications

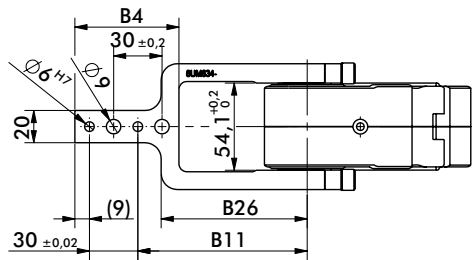


90°

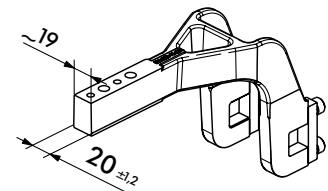


180°

8UM634-15-144
8UM634-25-144
8UM634-45-144
8UM631-75-204

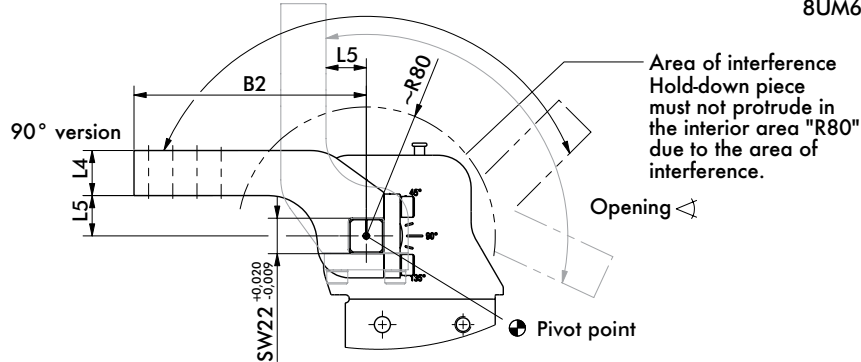


180° version



For Size 63mm

Dimensions are only for 8UM631-75-204

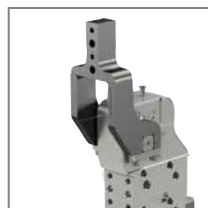


| Arm Model No. | Max. Opening 90° Version | Max. Opening 180° Version | Weight (kg) | B2 | B4 | B11 ±0,1 | B26 | L4 ±0,1 | L5 |
|----------------|--------------------------|---------------------------|-------------|-----|------|----------|------|---------|----|
| 8UM634-15-144 | 135° | 105° | 0,50 | | | | | | 15 |
| 8UM634-25-144 | | 120° | 0,53 | 144 | 64,5 | 105 | 90,5 | 28 | 25 |
| 8UM634-45-144 | | 135° | 0,56 | | | | | | 45 |
| 8UM631-75-204* | | 1,7 | 204 | 82 | 165 | 107 | 30 | 75 | |

* only steel version available.

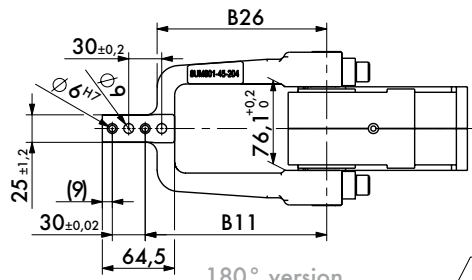


90°

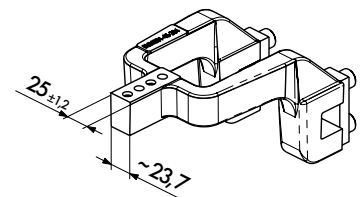
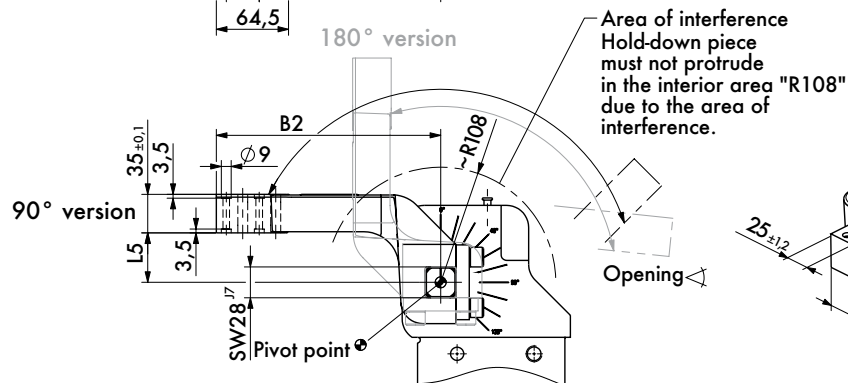


180°

8JG-169-2-01
8UM801-45-204



180° version



For Size 80mm

| Arm Model No. | Max. Opening 90° Version | Max. Opening 180° Version | Weight (kg) | B2 | B11 ±0,1 | B26 | L5** ±0,2 |
|----------------|--------------------------|---------------------------|-------------|-----|----------|-----|-----------|
| 8JG-169-2-01 | 135° | 105° | 3,5 | 179 | 140 | 129 | 20 |
| 8UM801-45-204* | | 135° | 4,1 | 204 | 165 | 154 | 45 |

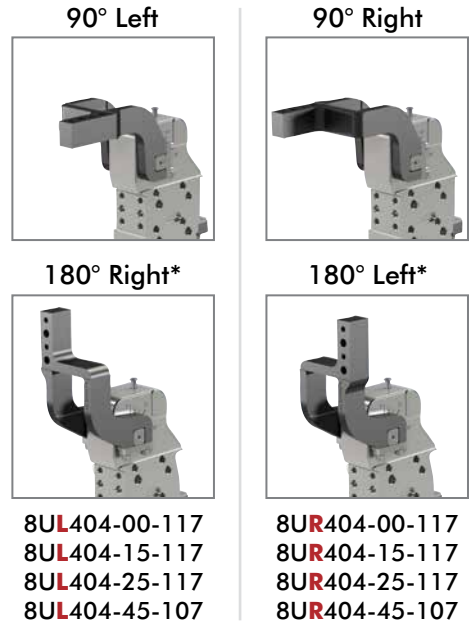
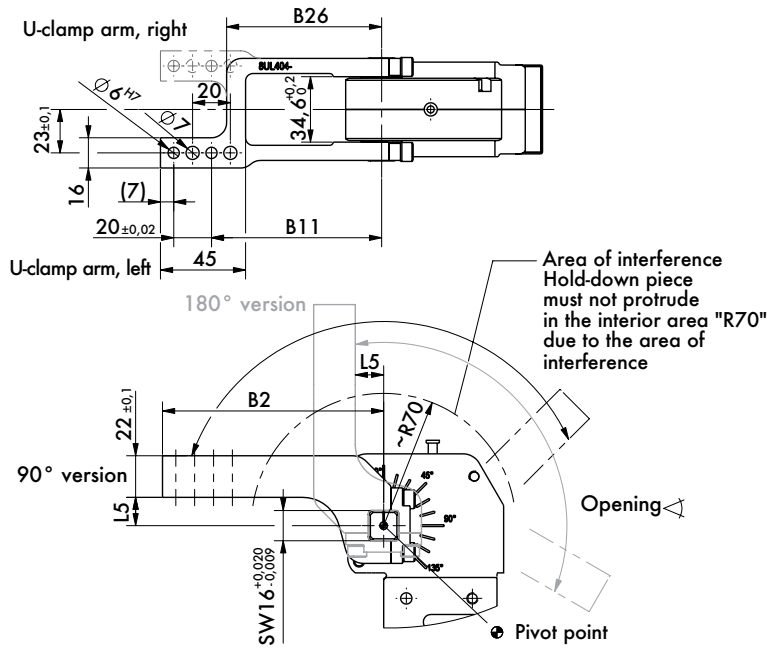
*only steel version available.

** Tolerance measured 80mm from pivot point.

U-ARMS OFFSET (ALUMINUM)

Pneumatic Power Clamps | Dimensions | Technical Specifications

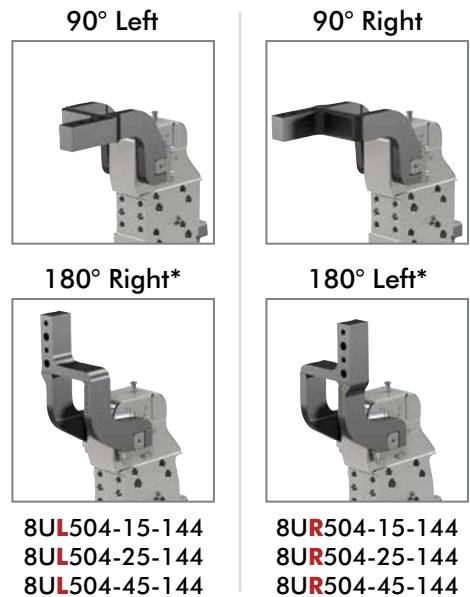
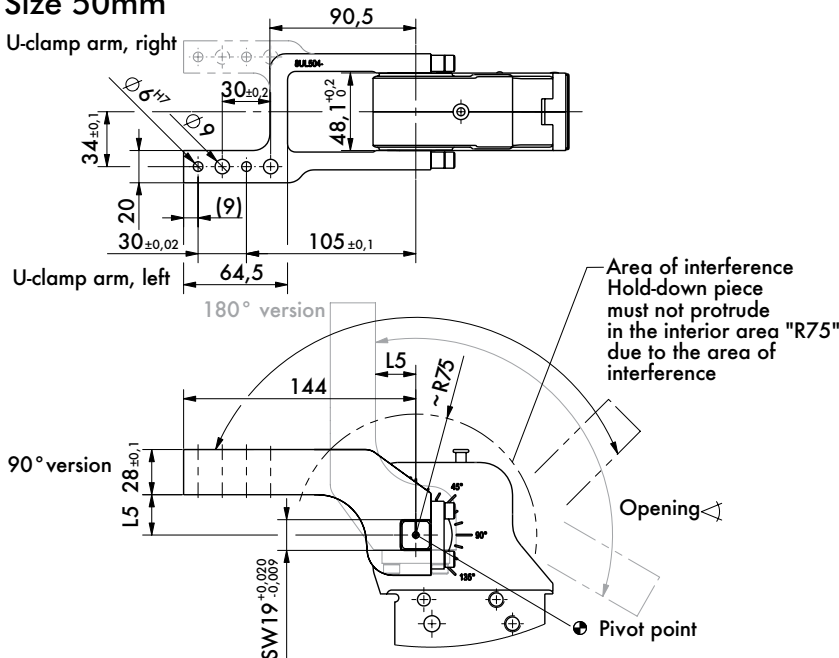
For Size 40mm



*90° left/180° right uses same clamp arm.
90° right/180° left uses same clamp arm.

| Arm Model No. | Max. Opening 90° Version | Max. Opening 180° Version | Weight (kg) | B2 | B11 ±0,1 | B26 | L5 |
|-----------------|--------------------------|---------------------------|-------------|-----|----------|-----|----|
| 8U(•)404-00-117 | | 105° | 0,23 | | | | 0 |
| 8U(•)404-15-117 | 135° | 120° | 0,24 | 117 | 90 | 82 | 15 |
| 8U(•)404-25-117 | | 135° | 0,25 | | | | 25 |
| 8U(•)404-45-107 | 130° | | 0,25 | 107 | 80 | 72 | 45 |

For Size 50mm



*90° left/180° right uses same clamp arm.
90° right/180° left uses same clamp arm.

| Arm Model No. | Max. Opening 90° Version | Max. Opening 180° Version | Weight (kg) | L5 |
|-----------------|--------------------------|---------------------------|-------------|----|
| 8U(•)504-15-144 | | 105° | 0,45 | 15 |
| 8U(•)504-25-144 | 135° | 120° | 0,46 | 25 |
| 8U(•)504-45-144 | | 135° | 0,49 | 45 |

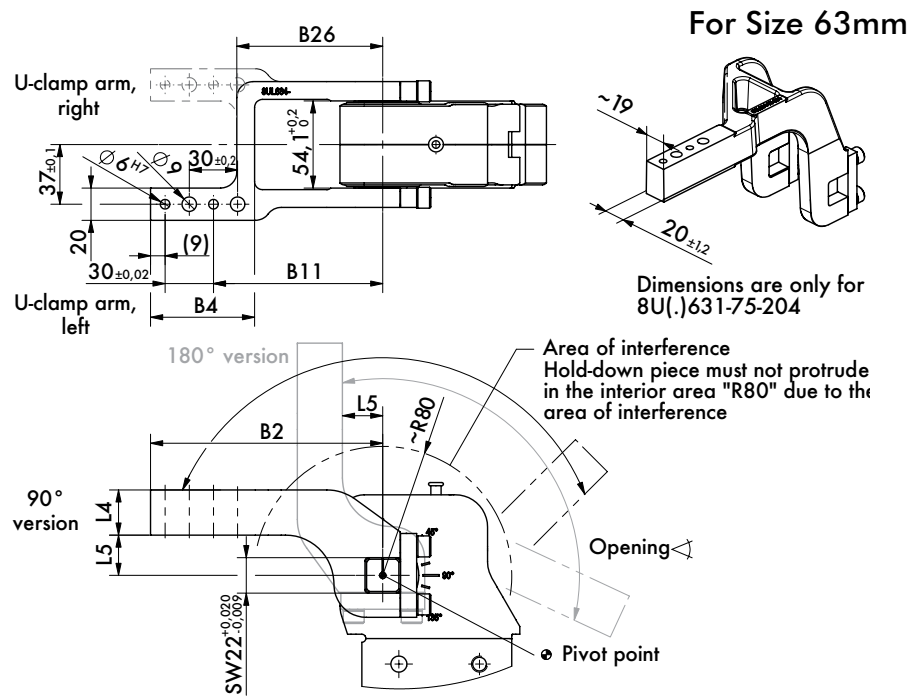
U-ARMS OFFSET (ALUMINUM)

Pneumatic Power Clamps | Dimensions | Technical Specifications



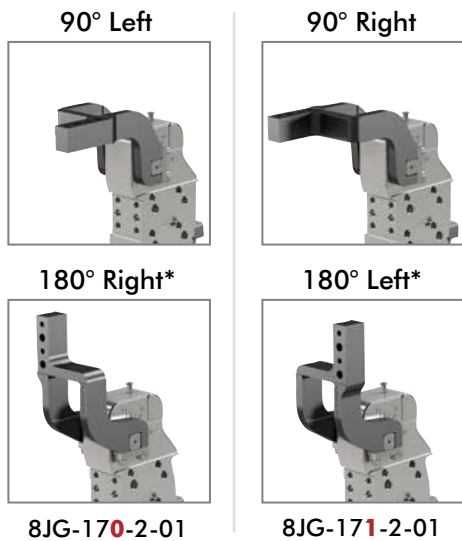
8UL634-15-144 8UR634-15-144
 8UL634-25-144 8UR634-25-144
 8UL634-45-144 8UR634-45-144
 8UL631-75-204** *8UR631-75-204

*90° left/180° right uses same clamp arm.
 90° right/180° left uses same clamp arm.



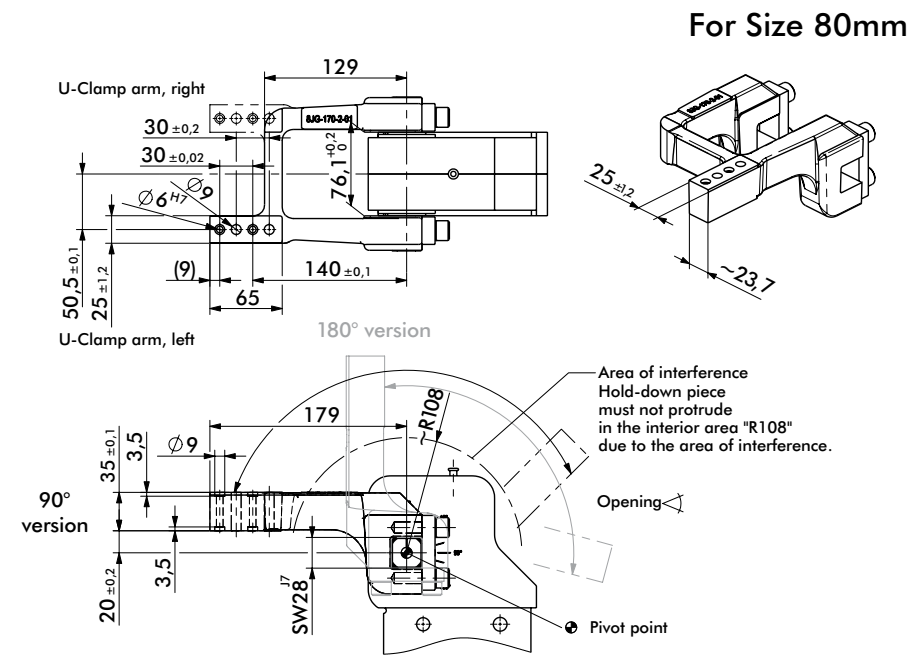
| Arm Model No. | Max. Opening 90° Version | Max. Opening 180° Version | Weight (kg) | B2 | B4 | B11 ±0,1 | B26 | L4 ±0,1 | L5 |
|-------------------|--------------------------|---------------------------|-------------|-----|------|----------|------|---------|-----|
| 8U(.)634-15-144 | 135° | 105° | 0,52 | 144 | 64,5 | 105 | 90,5 | 28 | 15 |
| 8U(.)634-25-144 | | 120° | 0,54 | | | | | | 25 |
| 8U(.)634-45-144 | | 135° | 0,58 | | | | | | 45 |
| 8U(.)631-75-204** | | | 1,9 | | | | | | 204 |

** only steel version available.



8JG-170-2-01 8JG-171-2-01

*90° left/180° right uses same clamp arm.
 90° right/180° left uses same clamp arm.



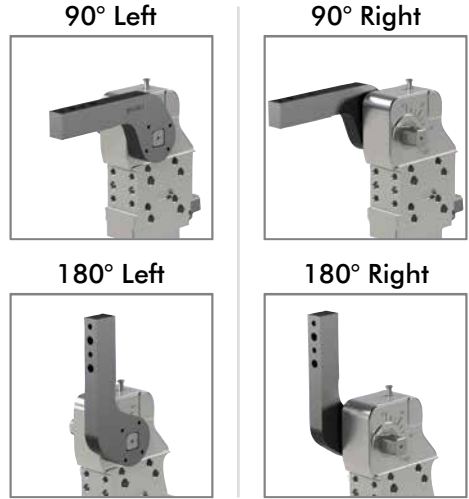
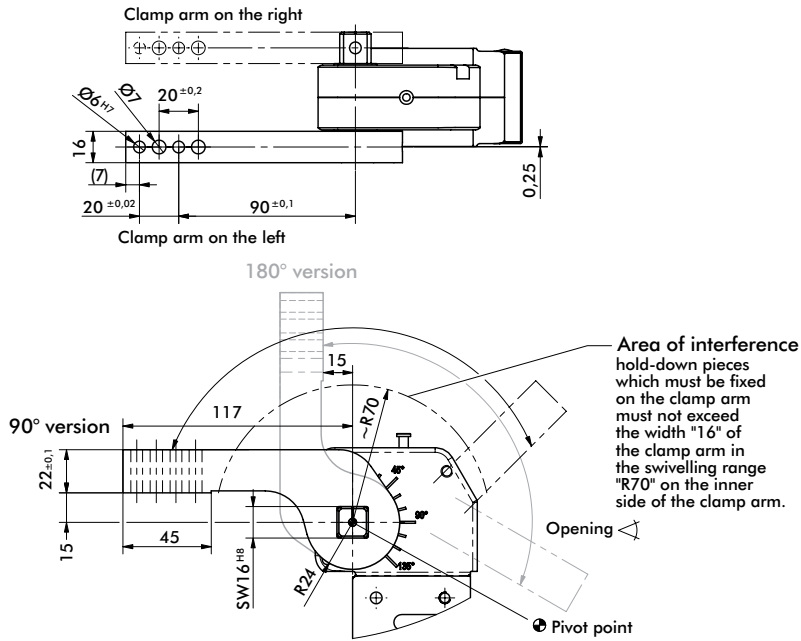
| Arm Model No. | Max. Opening 90° Version | Max. Opening 180° Version | Weight (kg) |
|------------------|--------------------------|---------------------------|-------------|
| 8JG-17(.)-2-01** | 135° | 105° | 3,5 |

**only steel version available.

LATERAL (SIDE) ARMS

Pneumatic Power Clamps | Dimensions | Technical Specifications

For Size 40mm

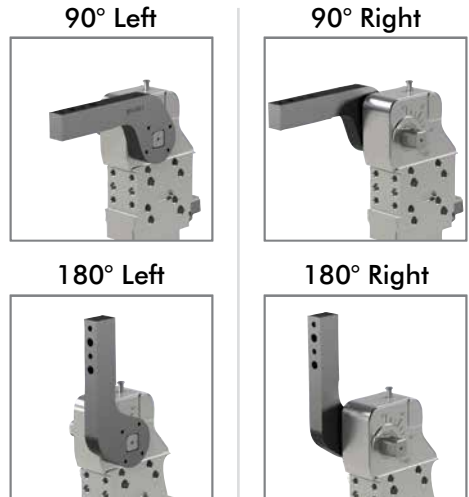
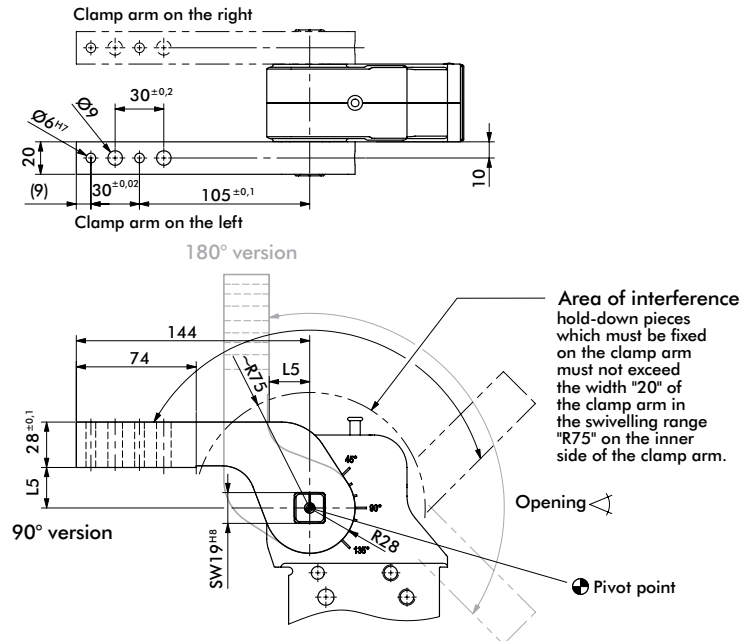


8S401-15-117

| Arm Model No. | Max. Opening 90° Version | Max. Opening 180° Version | Weight (kg) |
|---------------|--------------------------|---------------------------|-------------|
| 8S401-15-117 | 135° | 120° | 0,5 |

Models with 2 lateral clamp arms requires 2 clamp arm sets.

For Size 50mm



8JG-070-1-01
8S501-25-144

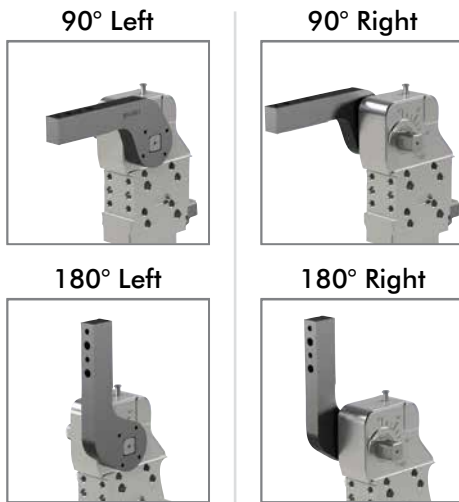
| Arm Model No. | Max. Opening 90° Version | Max. Opening 180° Version | Weight (kg) | L5 |
|---------------|--------------------------|---------------------------|-------------|----|
| 8JG-070-1-01 | 135° | 135° | 0,9 | 15 |
| 8S501-25-144 | | | 1,0 | 25 |

Models with 2 lateral clamp arms requires 2 clamp arm sets.

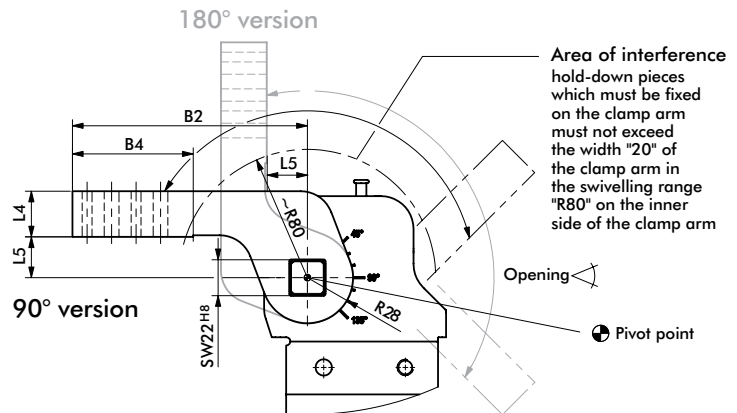
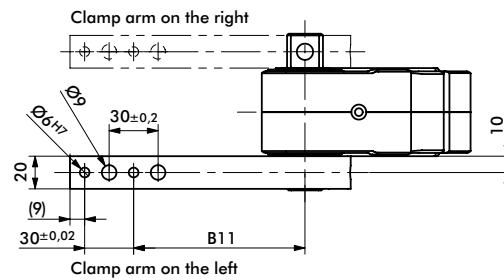
LATERAL (SIDE) ARMS

Pneumatic Power Clamps | Dimensions | Technical Specifications

For Size 63mm



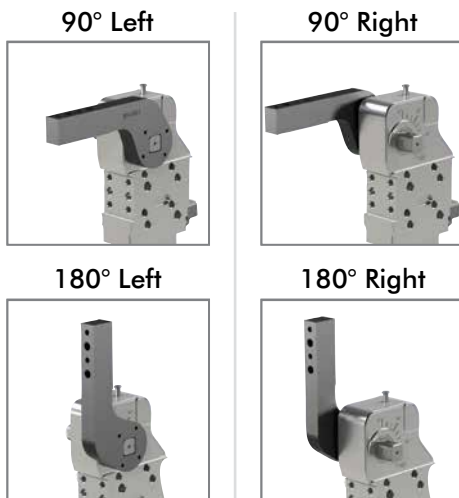
8JG-080-1-01
8S631-25-144
8S631-45-144
8S631-75-204



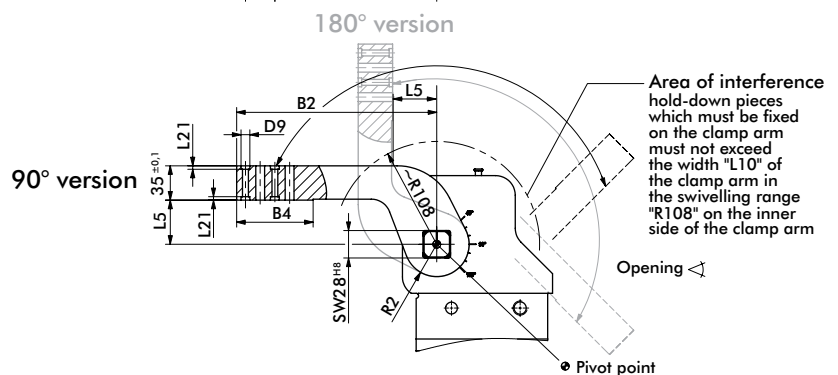
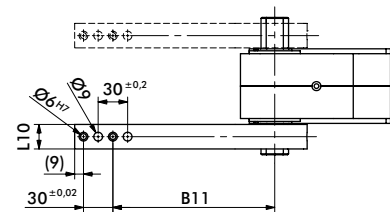
| Arm Model No. | Max. Opening 90° Version | Max. Opening 180° Version | Weight (kg) | B2 | B4 | B11 ±0,1 | L4 ±0,1 | L5 |
|---------------|--------------------------|---------------------------|-------------|-----|----|----------|---------|----|
| 8JG-080-1-01 | 135° | 135° | 0,9 | 144 | 74 | 105 | 28 | 15 |
| 8S631-25-144 | | | 1,0 | | | | | 25 |
| 8S631-45-144 | | | 1,1 | | | | | 45 |
| 8S631-75-204 | | | 1,5 | | | | | 75 |

Models with 2 lateral clamp arms requires 2 clamp arm sets.

For Size 80mm



8JG-1179-1-01
8S801-45-204



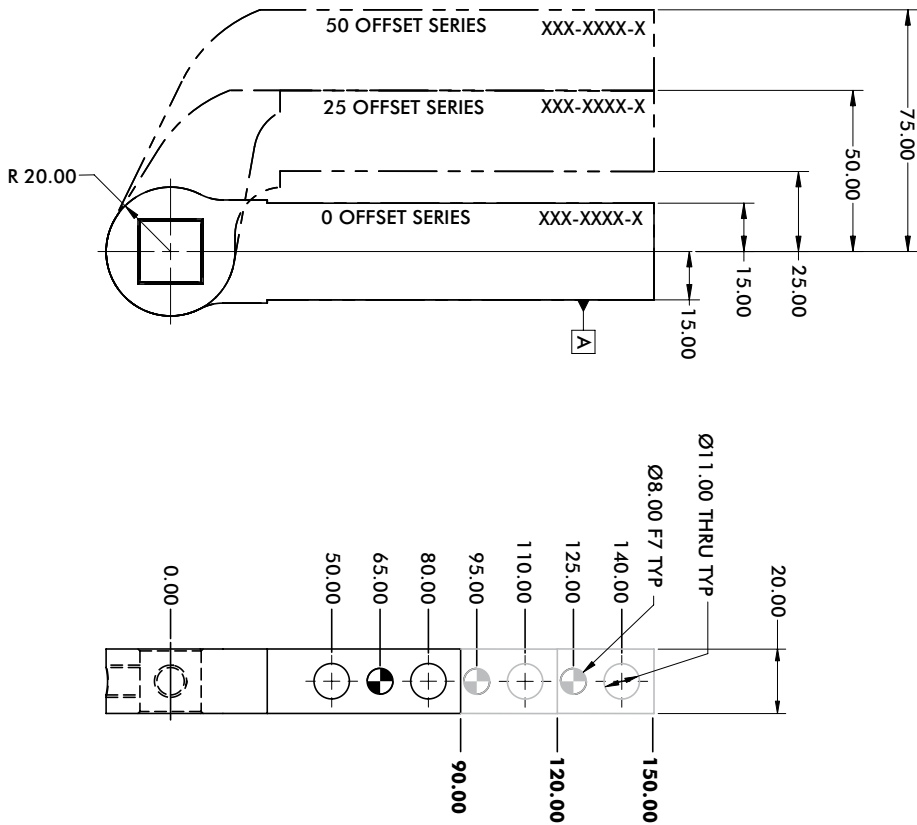
| Arm Model No. | Max. Opening 90° Version | Max. Opening 180° Version | Weight (kg) | B2 | B4 | D9 | B11 ±0,1 | L5 | L10 | L21 | R2 |
|---------------|--------------------------|---------------------------|-------------|-----|----|-----|----------|----|-----|-----|----|
| 8JG-1179-1-01 | 135° | 135° | 2,1 | 179 | 74 | - | 140 | 20 | 30 | - | 35 |
| 8S801-45-204 | | | 204 | 78 | 9 | 165 | 45 | 25 | 3,5 | 33 | |

Models with 2 lateral clamp arms requires 2 clamp arm sets.

LATERAL (SIDE) ARMS, NAAMS-STYLE

Pneumatic Power Clamps | Dimensions | Technical Specifications

For Size 50mm



9mm Thru Hole (6.00 H7 Dowel)

| 90mm [3.54"] Arm Length | | | 120mm [4.72"] Arm Length | | | 150mm [5.90"] Arm Length | | |
|-------------------------|-----------|-------------|--------------------------|-----------|-------------|--------------------------|-----------|-------------|
| Series | Arm Style | Model | Series | Arm Style | Model | Series | Arm Style | Model |
| 50 Offset | ▲ • 3256 | B8JG-3256-1 | 50 Offset | ▲ • 3257 | B8JG-3257-1 | 50 Offset | ▲ • 3258 | B8JG-3258-1 |
| 25 Offset | ▲ • 3246 | B8JG-3246-1 | 25 Offset | ▲ • 3247 | B8JG-3247-1 | 25 Offset | ▲ • 3248 | B8JG-3248-1 |
| 0 Offset | ▲ • 3236 | B8JG-3236-1 | 0 Offset | ▲ • 3237 | B8JG-3237-1 | 0 Offset | ▲ • 3238 | B8JG-3238-1 |

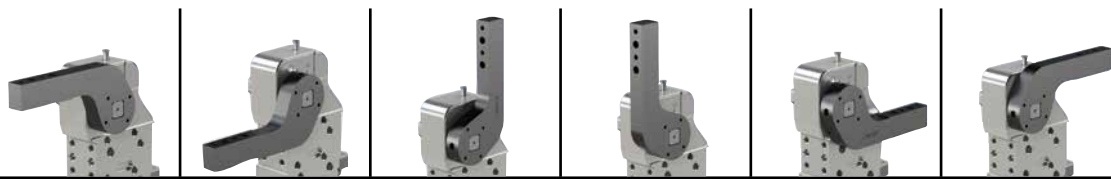
11mm Thru Hole (8.00 F7 Dowel)

| 90mm [3.54"] Arm Length | | | 120mm [4.72"] Arm Length | | | 150mm [5.90"] Arm Length | | |
|-------------------------|-----------|-------------|--------------------------|-----------|-------------|--------------------------|-----------|-------------|
| Series | Arm Style | Model | Series | Arm Style | Model | Series | Arm Style | Model |
| 50 Offset | ▲ • 1226 | B8JG-1226-1 | 50 Offset | ▲ • 1227 | B8JG-1227-1 | 50 Offset | ▲ • 1228 | B8JG-1228-1 |
| 25 Offset | ▲ • 1216 | B8JG-1216-1 | 25 Offset | ▲ • 1217 | B8JG-1217-1 | 25 Offset | ▲ • 1218 | B8JG-1218-1 |
| 0 Offset | ▲ • 1206 | B8JG-1206-1 | 0 Offset | ▲ • 1207 | B8JG-1207-1 | 0 Offset | ▲ • 1208 | B8JG-1208-1 |

▲ Common in North America

(•) STANDARD ARM OFFERING

Maximum Opening Angle (shown in locked position)

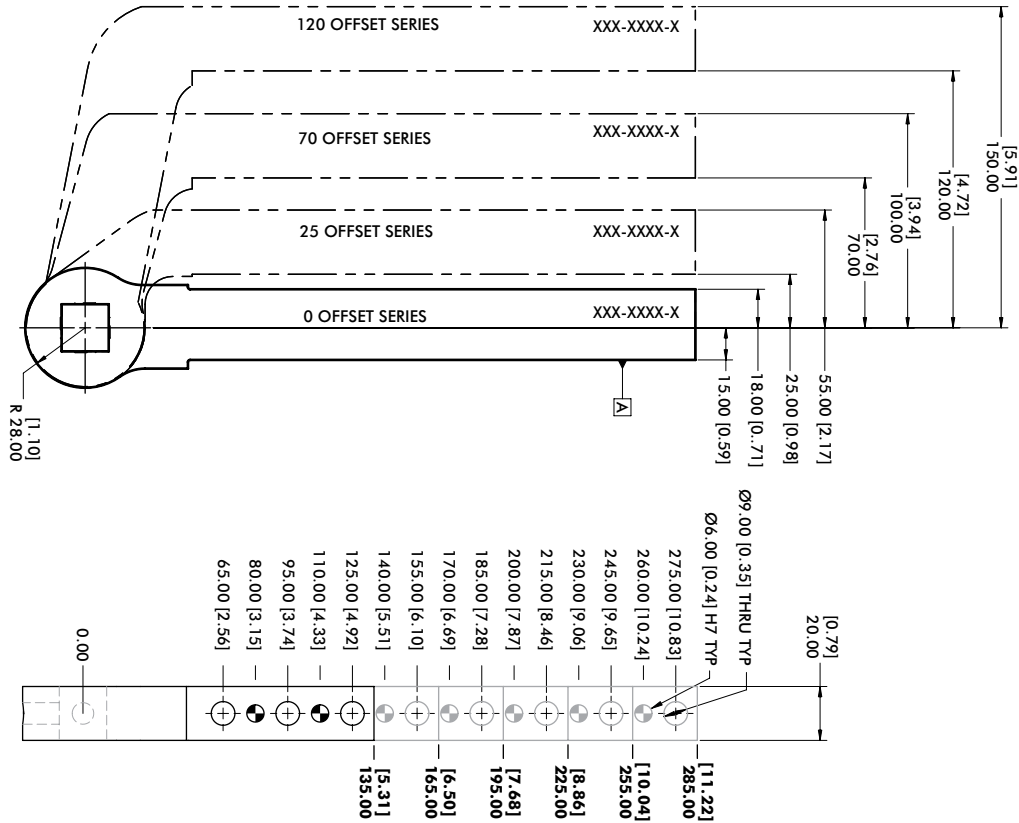


| Arm Styles | 1206-1208/3236-3238 | 1216-1218/3246-3248 | 1226-1228/3256-3258 | 1206-1207 | 1216-1217 | 1226-1227 | 1208-1209 | 1218-1219 | 1228-1229 |
|---------------------|---------------------|---------------------|---------------------|-----------|-----------|-----------|-----------|-----------|-----------|
| 1206-1208/3236-3238 | 135° | 135° | 100° | 100° | N/A | N/A | N/A | N/A | N/A |
| 1216-1218/3246-3248 | 135° | N/A | 50° | 125° | N/A | N/A | N/A | N/A | 30° |
| 1226-1228/3256-3258 | 125° | N/A | 35° | 135° | N/A | N/A | N/A | N/A | 50° |

LATERAL (SIDE) ARMS, NAAMS-STYLE

Pneumatic Power Clamps | Dimensions | Technical Specifications

For Size 63mm with 23 Clamp Arm Shaft Option



135mm [5.31"] Arm Length

| Series | Arm Style | Model |
|------------|-----------|-------------|
| 120 Offset | ▲ 1543 | B8JG-1543-1 |
| 70 Offset | ▲ 1531 | B8JG-1531-1 |
| 25 Offset | ▲ 1519 | B8JG-1519-1 |
| 0 Offset | ▲ 1507 | B8JG-1507-1 |

165mm [6.50"] Arm Length

| Series | Arm Style | Model |
|------------|-----------|-------------|
| 120 Offset | ▲ 1544 | B8JG-1544-1 |
| 70 Offset | ▲ 1532 | B8JG-1532-1 |
| 25 Offset | ▲ 1520 | B8JG-1520-1 |
| 0 Offset | ▲ 1508 | B8JG-1508-1 |

195mm [7.68"] Arm Length

| Series | Arm Style | Model |
|------------|-----------|-------------|
| 120 Offset | ▲ 1545 | B8JG-1545-1 |
| 70 Offset | ▲ 1533 | B8JG-1533-1 |
| 25 Offset | ▲ 1521 | B8JG-1521-1 |
| 0 Offset | ▲ 1509 | B8JG-1509-1 |

225mm [8.86"] Arm Length

| Series | Arm Style | Model |
|------------|-----------|-------------|
| 120 Offset | ▲ 1546 | B8JG-1546-1 |
| 70 Offset | ▲ 1534 | B8JG-1534-1 |
| 25 Offset | ▲ 1522 | B8JG-1522-1 |
| 0 Offset | ▲ 1510 | B8JG-1510-1 |

255mm [10.04"] Arm Length

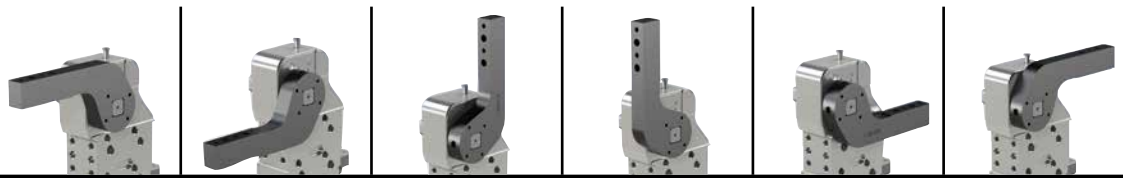
| Series | Arm Style | Model |
|------------|-----------|-------------|
| 120 Offset | ▲ 1547 | B8JG-1547-1 |
| 70 Offset | ▲ 1535 | B8JG-1535-1 |
| 25 Offset | ▲ 1523 | B8JG-1523-1 |
| 0 Offset | ▲ 1511 | B8JG-1511-1 |

285mm [11.22"] Arm Length

| Series | Arm Style | Model |
|------------|-----------|-------------|
| 120 Offset | ▲ 1548 | B8JG-1548-1 |
| 70 Offset | ▲ 1536 | B8JG-1536-1 |
| 25 Offset | ▲ 1524 | B8JG-1524-1 |
| 0 Offset | ▲ 1512 | B8JG-1512-1 |

▲ Common in North America

Maximum Opening Angle (shown in locked position)

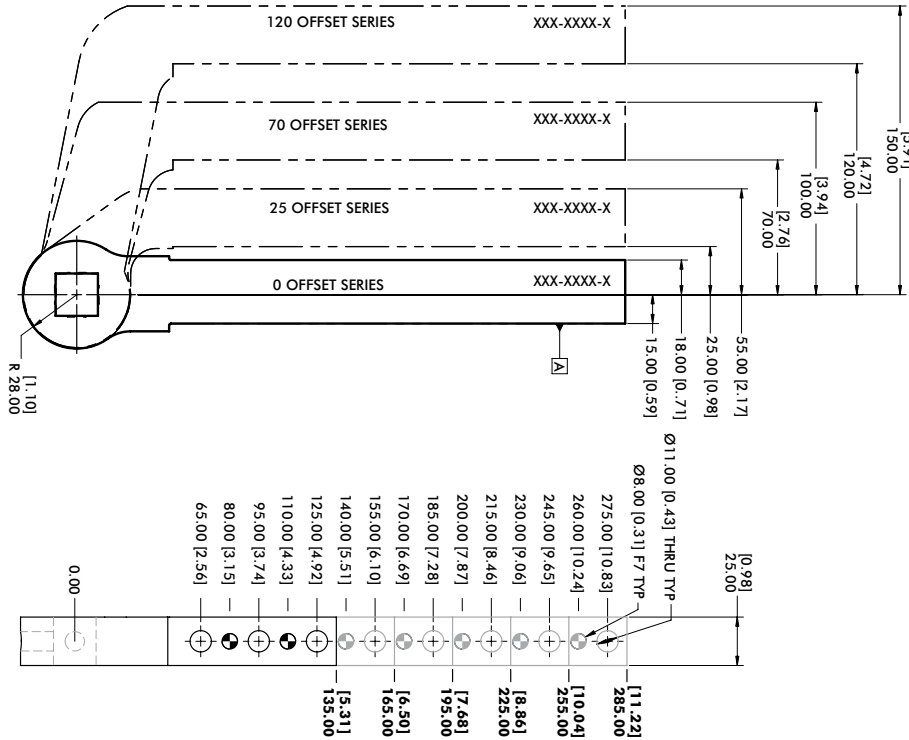


| Arm Styles | 135° | 135° | 100° | 100° | N/A | N/A |
|---------------------|------|------|------|------|-----|-----|
| 1510-1512/1507-1509 | 135° | 135° | 100° | 100° | N/A | N/A |
| 1522-1524/1519-1521 | 135° | N/A | 50° | 130° | N/A | 40° |
| 1534-1536/1531-1533 | 115° | N/A | 25° | 135° | N/A | 75° |
| 1546-1548/1543-1545 | 110° | N/A | 20° | 135° | N/A | 85° |

LATERAL (SIDE) ARMS, NAAMS-STYLE

Pneumatic Power Clamps | Dimensions | Technical Specifications

For Size 63mm with D0 Clamp Arm Shaft Option



135mm [5.31"] Arm Length

| Series | Arm Style | Model |
|------------|-----------|-------------|
| 120 Offset | ▲ • 1043 | B8JG-1043-1 |
| 70 Offset | ▲ • 1031 | B8JG-1031-1 |
| 25 Offset | ▲ • 1019 | B8JG-1019-1 |
| 0 Offset | ▲ • 1007 | B8JG-1007-1 |

165mm [6.50"] Arm Length

| Series | Arm Style | Model |
|------------|-----------|-------------|
| 120 Offset | ▲ ⓘ 1044 | B8JG-1044-1 |
| 70 Offset | ▲ • 1032 | B8JG-1032-1 |
| 25 Offset | ▲ • 1020 | B8JG-1020-1 |
| 0 Offset | ▲ • 1008 | B8JG-1008-1 |

195mm [7.68"] Arm Length

| Series | Arm Style | Model |
|------------|-----------|-------------|
| 120 Offset | ▲ ⓘ 1045 | B8JG-1045-1 |
| 70 Offset | ▲ • 1033 | B8JG-1033-1 |
| 25 Offset | ▲ ⓘ 1021 | B8JG-1021-1 |
| 0 Offset | ▲ • 1009 | B8JG-1009-1 |

225mm [8.86"] Arm Length

| Series | Arm Style | Model |
|------------|-----------|-------------|
| 120 Offset | ▲ ⓘ 1046 | B8JG-1046-1 |
| 70 Offset | ▲ • 1034 | B8JG-1034-1 |
| 25 Offset | ▲ ⓘ 1022 | B8JG-1022-1 |
| 0 Offset | ▲ ⓘ 1010 | B8JG-1010-1 |

255mm [10.04"] Arm Length

| Series | Arm Style | Model |
|------------|-----------|-------------|
| 120 Offset | ▲ ⓘ 1047 | B8JG-1047-1 |
| 70 Offset | ▲ • 1035 | B8JG-1035-1 |
| 25 Offset | ▲ ⓘ 1023 | B8JG-1023-1 |
| 0 Offset | ▲ ⓘ 1011 | B8JG-1011-1 |

285mm [11.22"] Arm Length

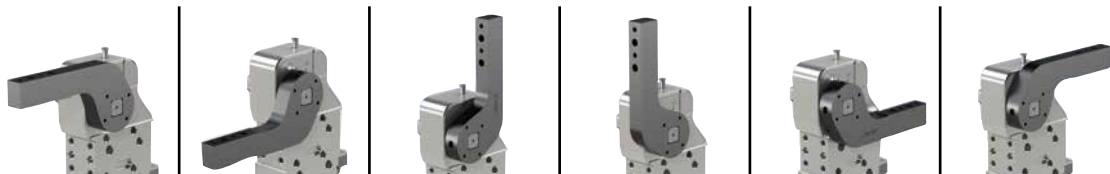
| Series | Arm Style | Model |
|------------|-----------|-------------|
| 120 Offset | ▲ ⓘ 1048 | B8JG-1048-1 |
| 70 Offset | ▲ ⓘ 1036 | B8JG-1036-1 |
| 25 Offset | ▲ ⓘ 1024 | B8JG-1024-1 |
| 0 Offset | ▲ ⓘ 1012 | B8JG-1012-1 |

▲ Common in North America

(•) STANDARD ARM OFFERING

(ⓘ) NON-STANDARD ARM OFFERING (extended leadtimes apply)

Maximum Opening Angle (shown in locked position)

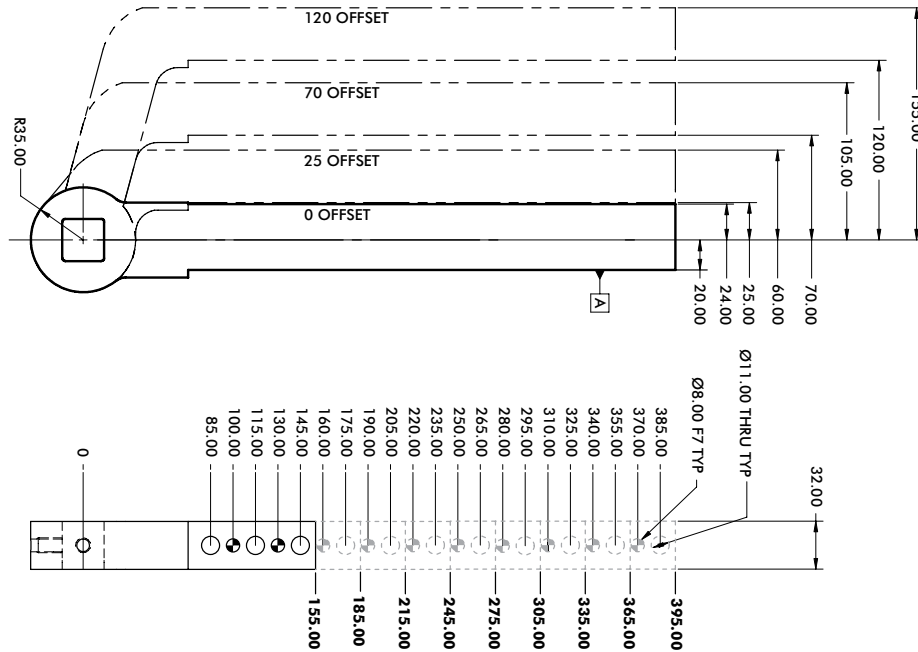


| Arm Styles | 1 | 2 | 3 | 4 | 5 | 6 |
|---------------------|------|------|------|------|-----|-----|
| 1010-1012/1007-1009 | 135° | 135° | 100° | 100° | N/A | N/A |
| 1022-1024/1019-1021 | 135° | N/A | 50° | 130° | N/A | 40° |
| 1034-1036/1031-1033 | 115° | N/A | 25° | 135° | N/A | 75° |
| 1046-1048/1043-1045 | 110° | N/A | 20° | 135° | N/A | 85° |

LATERAL (SIDE) ARMS, NAAMS-STYLE

Pneumatic Power Clamps | Dimensions | Technical Specifications

For Size 80mm



155mm [4.53"] Arm Length

| Series | Arm Style | Model |
|------------|-----------|-------------|
| 120 Offset | ▲ ⓘ 1170 | B8JG-1170-1 |
| 70 Offset | ▲ • 1150 | B8JG-1150-1 |
| 25 Offset | ▲ ⓘ 1130 | B8JG-1130-1 |
| 0 Offset | ▲ ⓘ 1110 | B8JG-1110-1 |

185mm [7.28"] Arm Length

| Series | Arm Style | Model |
|------------|-----------|-------------|
| 120 Offset | ▲ ⓘ 1171 | B8JG-1171-1 |
| 70 Offset | ▲ ⓘ 1151 | B8JG-1151-1 |
| 25 Offset | ▲ ⓘ 1131 | B8JG-1131-1 |
| 0 Offset | ▲ ⓘ 1111 | B8JG-1111-1 |

215mm [8.46"] Arm Length

| Series | Arm Style | Model |
|------------|-----------|-------------|
| 120 Offset | ▲ ⓘ 1172 | B8JG-1172-1 |
| 70 Offset | ▲ ⓘ 1152 | B8JG-1152-1 |
| 25 Offset | ▲ ⓘ 1132 | B8JG-1132-1 |
| 0 Offset | ▲ • 1112 | B8JG-1112-1 |

245mm [9.65"] Arm Length

| Series | Arm Style | Model |
|------------|-----------|-------------|
| 120 Offset | ▲ ⓘ 1173 | B8JG-1173-1 |
| 70 Offset | ▲ ⓘ 1153 | B8JG-1153-1 |
| 25 Offset | ▲ ⓘ 1133 | B8JG-1133-1 |
| 0 Offset | ▲ ⓘ 1113 | B8JG-1113-1 |

275mm [10.83"] Arm Length

| Series | Arm Style | Model |
|------------|-----------|-------------|
| 120 Offset | ▲ ⓘ 1174 | B8JG-1174-1 |
| 70 Offset | ▲ ⓘ 1154 | B8JG-1154-1 |
| 25 Offset | ▲ • 1134 | B8JG-1134-1 |
| 0 Offset | ▲ ⓘ 1114 | B8JG-1114-1 |

305mm [12.00"] Arm Length

| Series | Arm Style | Model |
|------------|-----------|-------------|
| 120 Offset | ▲ ⓘ 1175 | B8JG-1175-1 |
| 70 Offset | ▲ • 1155 | B8JG-1155-1 |
| 25 Offset | ▲ ⓘ 1135 | B8JG-1135-1 |
| 0 Offset | ▲ ⓘ 1115 | B8JG-1115-1 |

335mm [13.19"] Arm Length

| Series | Arm Style | Model |
|------------|-----------|-------------|
| 120 Offset | ▲ ⓘ 1176 | B8JG-1176-1 |
| 70 Offset | ▲ ⓘ 1156 | B8JG-1156-1 |
| 25 Offset | ▲ ⓘ 1136 | B8JG-1136-1 |
| 0 Offset | ▲ ⓘ 1116 | B8JG-1116-1 |

365mm [14.37"] Arm Length

| Series | Arm Style | Model |
|------------|-----------|-------------|
| 120 Offset | ▲ ⓘ 1177 | B8JG-1177-1 |
| 70 Offset | ▲ ⓘ 1157 | B8JG-1157-1 |
| 25 Offset | ▲ ⓘ 1137 | B8JG-1137-1 |
| 0 Offset | ▲ ⓘ 1117 | B8JG-1117-1 |

395mm [15.55"] Arm Length

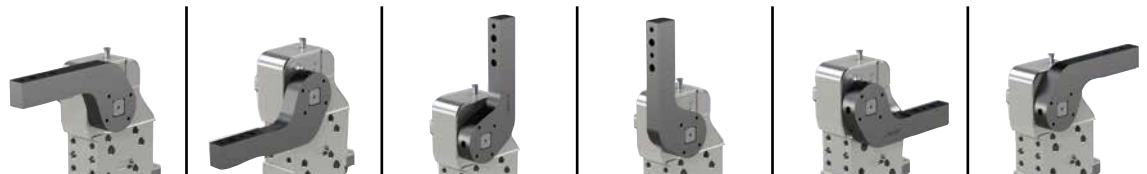
| Series | Arm Style | Model |
|------------|-----------|-------------|
| 120 Offset | ▲ ⓘ 1178 | B8JG-1178-1 |
| 70 Offset | ▲ • 1158 | B8JG-1158-1 |
| 25 Offset | ▲ ⓘ 1138 | B8JG-1138-1 |
| 0 Offset | ▲ • 1118 | B8JG-1118-1 |

▲ Common in North America

(•) STANDARD ARM OFFERING

ⓘ NON-STANDARD ARM OFFERING (extended leadtimes apply)

Maximum Opening Angle (shown in locked position)



| Arm Styles | 1110 - 1118 | 1130 - 1138 | 1150 - 1158 | 1170 - 1178 | 1190 - 1198 | 1210 - 1218 |
|-------------|-------------|-------------|-------------|-------------|-------------|-------------|
| 1110 - 1118 | 135° | 135° | 100° | 100° | N/A | N/A |
| 1130 - 1138 | 135° | N/A | 60° | 120° | N/A | 30° |
| 1150 - 1158 | 125° | N/A | 35° | 135° | N/A | 55° |
| 1170 - 1178 | 115° | N/A | 25° | 135° | N/A | 80° |