

## Remote Sensor Series

### Description

- Operation mode and max sensing range:  
**Thru beam: 0-70 m**  
**Diffuse proximity: 0-3,5 m**
- Optional sensor monitor LED
- Wide variety of housings
- High tolerance to hostile environments
- Cable or plug connections



The remote sensor series, which consists of a transmitter LT and receiver LR, is made to operate in conjunction with a Telco photoelectric amplifier from the PA or MPA programmes.

The remote sensors are available in a wide range of housings, with either cable or plug connection, and may be used in thru beam or diffuse proximity mode.

The series is available with optional power-(LR) and output-(LT) monitor LEDs for use with any Telco photoelectric amplifier which has the sensor LED drive feature incorporated.

### Technical Data

	LT	LR
Transmitter Diode	Ga Al As, (880 nm)	-
Photo Transistor	-	Silicon NPN
Cable Ø 4mm PVC Sleeves	2 x 0,25 mm <sup>2</sup>	1 x 0,25 mm <sup>2</sup> + shield
Min. cable bending radius	45 mm	

### Environmental Data

Vibration	10 – 55 Hz, 0,5 mm	
Shock	30 g	
Light immunity, @ 20° incidence	101 Series 100 Series 110/120 Series	>50 000 lux >80 000 lux >100 000 lux
Temperature, operation	- 25 to +65 °C	
Temperature, storage	- 40 to +80 °C	
Sealing Class	IP 67	
Approvals	CE	

## Available Types

	Series	Optical Angle	Connection		5 m Cable	15 m Cable	3 pin, M8 Plug	4 pin, M12 Plug	
			Housing Material	Housing Size					Order Reference
Transmitter	101	+/- 8°	Polycarbonate	Ø10	LT 101 AP25 5	LT 101 AP25 15	LT 101 AP25 T3	-	
			Nickel Plated Brass	M12 x 1	LT 101 TP25 5	LT 101 TP25 15	LT 101 TP25 T3	-	
					LT 101 TB25 5	LT 101 TB25 15	LT 101 TB25 T3	-	
					LT 101 TS25 5	LT 101 TS25 15	LT 101 TS25 T3	-	
			Polyester	□ 9,5 x 11,5	LT 101 SG 5*	LT 101 SG 15*	LT 101 SG T3	-	
ABS		Ø12,7 (Snap Housing)	LT 101 S22 5*	LT 101 S22 15*	-	-			
Receiver		101	+/- 9°	Polycarbonate	Ø10	LR 101 AP25 5	LR 101 AP25 15	LR 101 AP25 T3	-
				Nickel Plated Brass	M12 x 1	LR 101 TP25 5	LR 101 TP25 15	LR 101 TP25 T3	-
						LR 101 TB25 5	LR 101 TB25 15	LR 101 TB25 T3	-
						LR 101 TS25 5	LR 101 TS25 15	LR 101 TS25 T3	-
	Polyester			□ 9,5 x 11,5	LR 101 SG 5*	LR 101 SG 15*	LR 101 SG T3	-	
ABS	Ø12,7 (Snap Housing)		LR 101 S22 5*	LR 101 S22 15*	-	-			

Transmitter	100	+/- 6°	Polycarbonate	Ø10	LT 100 AP38 5	LT 100 AP38 15	LT 100 AP38 T3	-	
			Nickel Plated Brass	M12 x 1	LT 100 TP38 5	LT 100 TP38 15	LT 100 TP38 T3	-	
					LT 100 TB38 5	LT 100 TB38 15	LT 100 TB38 T3	LT 100 TB58 J	
Stainless Steel			LT 100 TS38 5	LT 100 TS38 15	LT 100 TS38 T3	LT 100 TS58 J			
Receiver		100	+/- 9°	Polycarbonate	Ø10	LR 100 AP38 5	LR 100 AP38 15	LR 100 AP38 T3	-
				Nickel Plated Brass	M12 x 1	LR 100 TP38 5	LR 100 TP38 15	LR 100 TP38 T3	-
	LR 100 TB38 5					LR 100 TB38 15	LR 100 TB38 T3	LR 100 TB58 J	
Stainless Steel			LR 100 TS38 5	LR 100 TS38 15	LR 100 TS38 T3	LR 100 TS58 J			

Transmitter	110	+/- 8°	Polycarbonate	Ø10	LT 110 AP38 5	LT 110 AP38 15	LT 110 AP38 T3	-	
			Nickel Plated Brass	M12 x 1	LT 110 TP38 5	LT 110 TP38 15	LT 110 TP38 T3	-	
					LT 110 TB38 5	LT 110 TB38 15	LT 110 TB38 T3	LT 110 TB58 J	
Stainless Steel			LT 110 TS38 5	LT 110 TS38 15	LT 110 TS38 T3	LT 110 TS58 J			
Receiver		110	+/- 3°	Polycarbonate	Ø10	LR 110 AP38 5	LR 110 AP38 15	LR 110 AP38 T3	-
				Nickel Plated Brass	M12 x 1	LR 110 TP38 5	LR 110 TP38 15	LR 110 TP38 T3	-
	LR 110 TB38 5					LR 110 TB38 15	LR 110 TB38 T3	LR 110 TB58 J	
Stainless Steel			LR 110 TS38 5	LR 110 TS38 15	LR 110 TS38 T3	LR 110 TS58 J			

Transmitter	120	+/- 4°	Nickel Plated Brass	M18 x 1	-	LT 120 TB45 15	-	-
Receiver		+/- 2,5°	Nickel Plated Brass	M18 x 1	-	LR 120 TB45 15	-	-

**Note:** If the applicable amplifier has sensor LED-drive, add 'L' after the series number for sensor monitor LED eg. LT/LR 101L AP25 5.  
Sensors marked \* do not have this optional feature.  
Photo amplifiers to be ordered separately.

# Remote Sensor Series

## Applicable Photo Amplifiers and Ranges

Series	Operation Modes	Photoelectric Amplifiers									
		PA 01	PA 09	PA 10		PA 11	MPA 21	MPA 41		MPA 81	
				A	B			A/B	C/D	A/B	C/D
101	Thru-beam	8 m	5 m	11 m	-	-	-	-	-	-	-
	Diffuse Proximity	65 cm	45 cm	90 cm	-	-	-	-	-	-	-
100	Thru-beam	10 m	-	-	15 m	18 m	10 m	8 m	4 m	8 m	4 m
	Diffuse Proximity	75 cm	-	-	1,1 m	1,1 m	75 cm	65 cm	35 cm	65 cm	35 cm
110	Thru-beam	23 m	-	-	35 m	40 m	25 m	18 m	9 m	18 m	9 m
	Diffuse Proximity	1,6 m	-	-	2 m	2 m	1,6 m	1,3 m	70 cm	1,3 m	70 cm
120	Thru-beam	45 m	-	-	70 m	70 m	45 m	35 m	18 m	35 m	18 m
	Diffuse Proximity	2,5 m	-	-	3,5 m	3,5 m	2,5 m	2 m	1 m	2 m	1 m

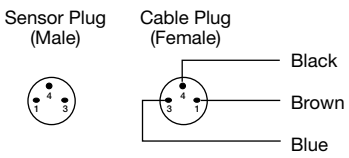
Note: For ranges using fibre optics please refer to page 42.

## Connections

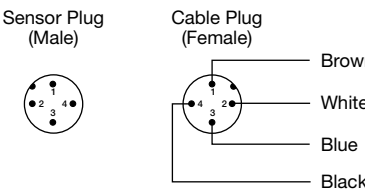
	Cable	M8 Plug/Cable	M12 Plug/Cable
Transmitter Signal	Red	Pin 1/Brown	Pin 1/Brown
Transmitter Ground	Black	Pin 3/Blue	Pin 3/Blue
Receiver Signal	Yellow	Pin 4/Black	Pin 4/Black
Receiver Ground	Shield	Pin 3/Blue	Pin 3/Blue

**3 pin, M8**

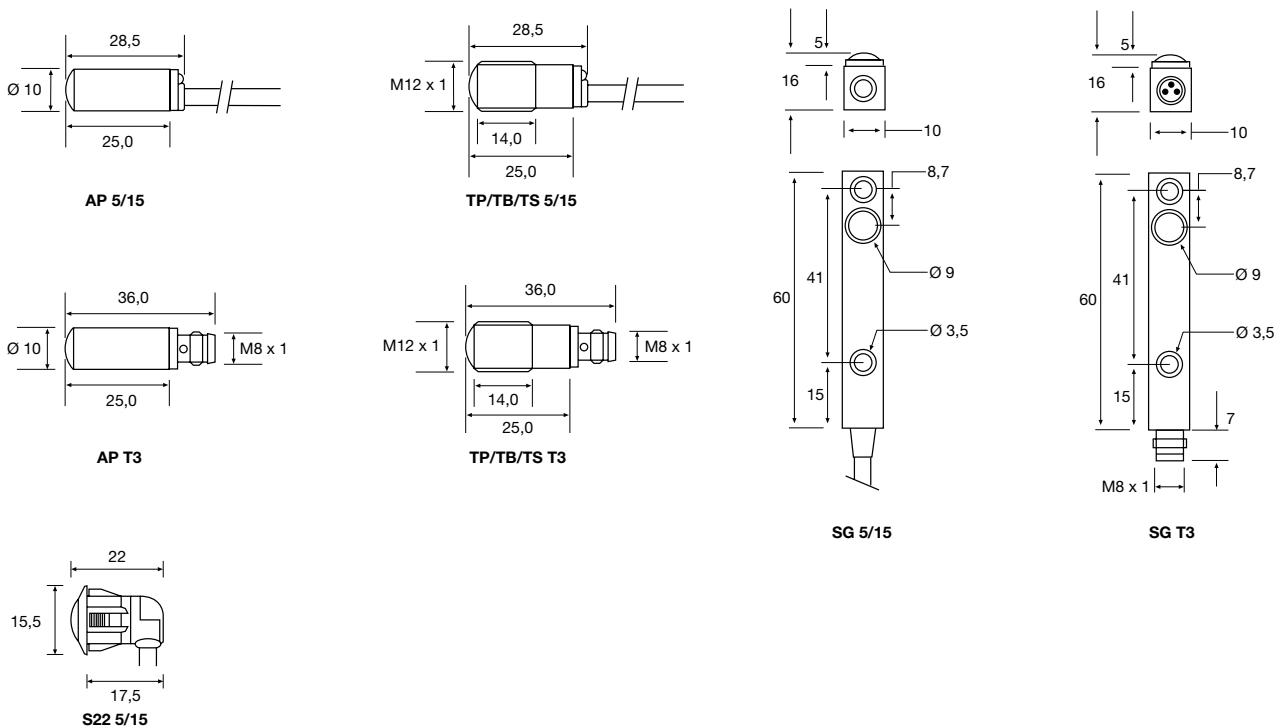


**4 pin, M12**



## Dimensions

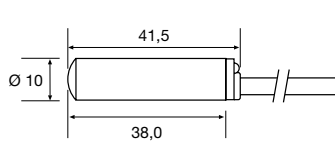
### Series 101



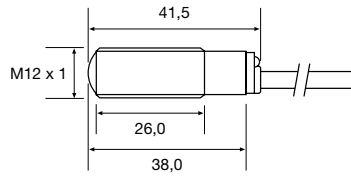
(Units in mm)

## Dimensions

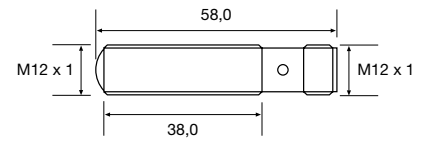
### Series 100/110



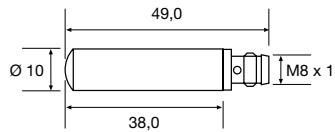
**AP 5/15**



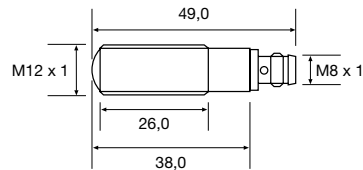
**TP/TB/TS 5/15**



**TB/TS J**



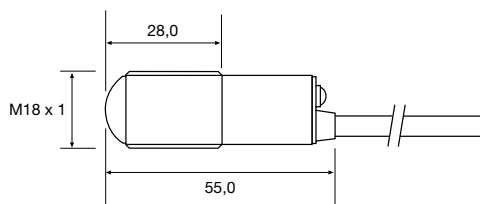
**AP T3**



**TP/TB/TS T3**

(Units in mm)

### Series 120



**TB 15**

(Units in mm)

Telco reserves the right to change specifications without notice.