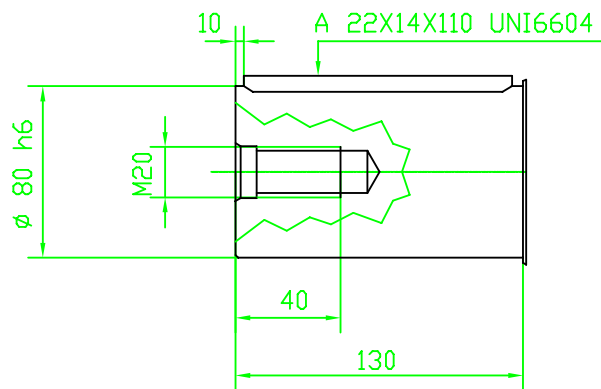


VIEW FROM A - VIEW FROM B

OUTPUT SHAFT



TECHNICAL DATA

DESCRIPTION: PG702 PC

PLANETARY GEARBOX

BRAKE

MOTOR FITTINGS

CONT. TORQUE 702 daNm  
 MAX TORQUE 1404 daNm  
 INPUT SPEED max2800rpm  
 LUBRICANT ISO 3448  
 OIL QUANTITY 0 l

TYPE  
 BRAKING TORQUE Min.  
 RELEASE PRESSURE Min.  
 MAX PRESSURE  
 LUBRICANT  
 OIL QUANTITY

MOTOR  
 TYPE  
 PART. N.  
 DISPLACEMENT

INPUT SHAFT

PART. N.

PAINT COLOR

CUSTOMER

WEIGHT \*\*\* Kg

MOUNTING POSITION B5

comer industries S.p.a. 42025 CAVRIAGO (RE) italy-VIA PRATI VECCHI 37-TEL.0039 0522 943838-FAX 0039 0522 942686

- BREATHER PLUG
- DRAIN PLUG
- FILLING PLUG
- ELBOW
- LEVEL PLUG
- EXTENSION



comer industries  
planetary drives

DATE 26-10-12  
 SGN.  
 N.DIS TEMPOR