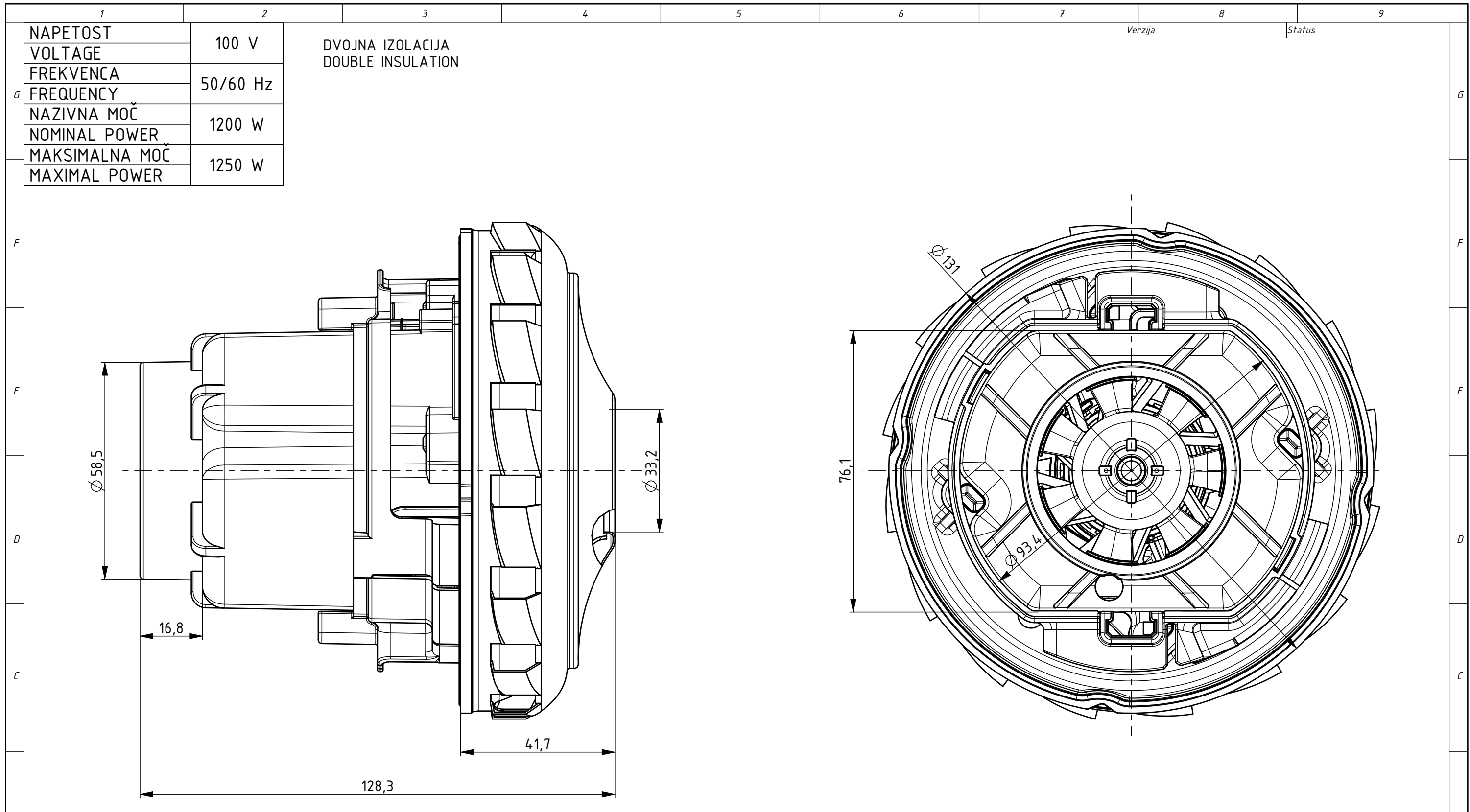


Izdelano s CAD/ProEngineer - ročno spreminjanje ni dovoljeno! Vsak prenos tretjim osebam ali uporaba v nedogovorjene namene ni dovoljena po zakonu o avtorskih pravicah. Made with CAD/ProEngineer - changing is not allowed! Any unauthorized copying of this drawing or unauthorized distribution of the information contained herein is prohibited.



Oznake natisnjene na SE:  
Information stamped on VCM:

DOMEL 467.3.418-2  
629336B4  
100 V 50/60 Hz **CE**  
I.Cl.180  
YYWWD S NNNN  
MADE IN SLOVENIA

OSNOVNE ZNAČILNOSTI		TYPICAL CHARACTERISTICS	
IZVEDBA	ENOSTOPENJSKA	FAN SYSTEM	SINGLE STAGE
VLEŽAJENJE	DVA KROGLIČNA LEŽAJA	BEARINGS	DUAL BALL
VRSTA PRETOKA	MIMO MOTORJA	DISCHARGE	BY PASS
SMER VRTENJA	DESNA	DIRECTION OF ROTATION	CW

Tolerance odprtih mer Tolerances without individual indications ISO 8015 ISO 2768 - mK		Površinska hrapavost Surface finishing	Merilo Scale <b>1:2</b>	Original format ISO 5457 - A3
Datum/Date Izdelal/Designed 27.08.14 D. Vrhunc		Ime/Name Pregl./Verified 16.10.18 B. Benedik	Naziv Title <b>SESALNA ENOTA VACUUM CLEANER MOTOR</b>	
Ozn. Mark Št. obvestila Nr. of notice		Koda Code <b>467.3.418-2</b>		List Sheet 3+
Datum Date Ime Name		4673418002_SESALNA_ENOTA		Stran Page 1



Otoki 21, 4228 Železniki, Slovenija