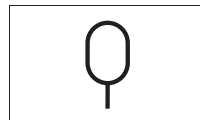


## Integral Accumulator Diaphragm Accumulator D2,0-100



### 1. Features

Nominal volume:	2,0 l
Effective gas volume:	1,9 l
Perm. operating pressure:	100 bar
Weight:	3,5 kg

### 2. Material


Housing:	steel
Diaphragm:	Perbunan (NBR)

 Other diaphragm materials on enquiry

### 3. Operating Limits

Permissible gas filling pressure:	max. 130 bar, however limitations due to various transport regulations
Gas filling:	nitrogen (N <sub>2</sub> )
Hydraulic fluid: <sup>a)</sup>	hydraulic oils → Recommended Oil Types – Technical Principles from page 10.12
Max. permissible pressure ratio: <sup>b)</sup>	$\frac{\text{Abs. working pressure [bar]} \leq 6}{\text{Abs. gas filling pressure [bar]} \leq 1}$
Perm. $\Delta p$ dynamic:	65 bar
Permissible operating temperature: <sup>c)</sup>	-10 °C to +80 °C
Installation position:	any
Filling and testing device DFM:	→ Integral Accumulator Filling Device for Diaphragm Accumulators DFM from page 9.54

<sup>a)</sup>  Other fluids on enquiry

<sup>b)</sup>  Other on enquiry

<sup>c)</sup>  Usage in other temperature ranges on enquiry

### 4. Directives

This hydro accumulator complies with the European directive on pressure equipment 97/23/EC, category I and is supplied with a CE marking. The hydro accumulator must be subjected to an acceptance inspection by a qualified person (formerly specialist) prior to initial commissioning. → European Directive on Pressure Equip. 97/23/EC (abridged information) – Technical Principles from page 10.15

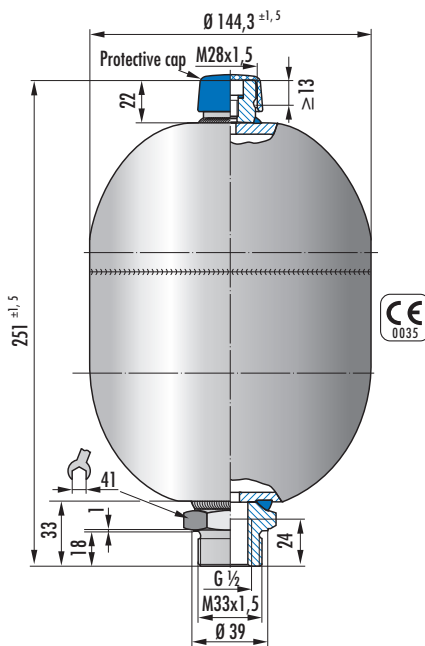
### 4.1 Selection, installation and operation

→ Guidelines for Selection, Installation and Operation – Technical Principles from page 10.3

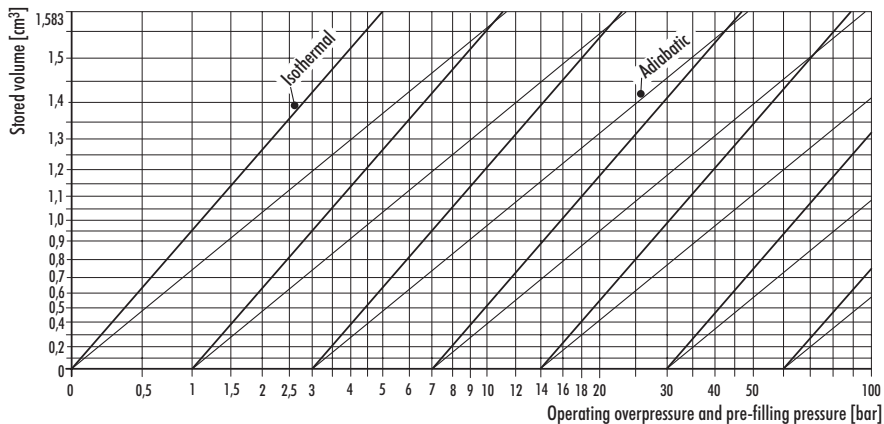
### 4.2 Calculation and design

→ Calculation and Design – Technical Principles from page 10.7

### 5. Installation Drawing



## 6. Pressure-Volume Characteristic Curve



## 7. Article List D2,0-100

D2,0-100	
Diaphragm material	Article No.
NBR	200-1315-023-411/ <sup>a)</sup>
ECO	200-1315-023-441/ <sup>a)</sup>

<sup>a)</sup> required gas filling pressure in bar

## 8. Ordering Example

Type	Diaphragm Material	Art. No./Gas Filling Pressure (e.g. xxx bar)
D2,0-100	ECO	200-1315-023-441/xxx