

# PRODUCT INFORMATION PACKET



Model No: C4D18FK6A

Catalog No: 109106.00

2HP.1800RPM.ZLS56CZ.TEFC.24V.CONT.40C.1.0SF.RIGID C.DC NEMA LOW VOLTAGE.C4D18FK6A  
Low Voltage



Regal and Leeson are trademarks of Regal Beloit Corporation or one of its affiliated companies.

©2018 Regal Beloit Corporation, All Rights Reserved. MC017097E





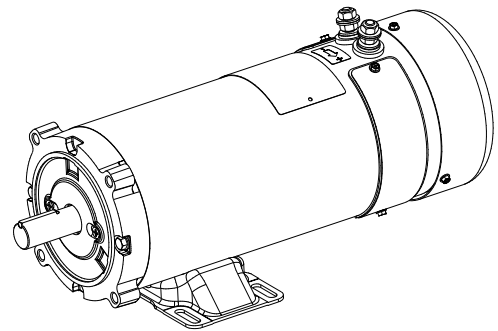
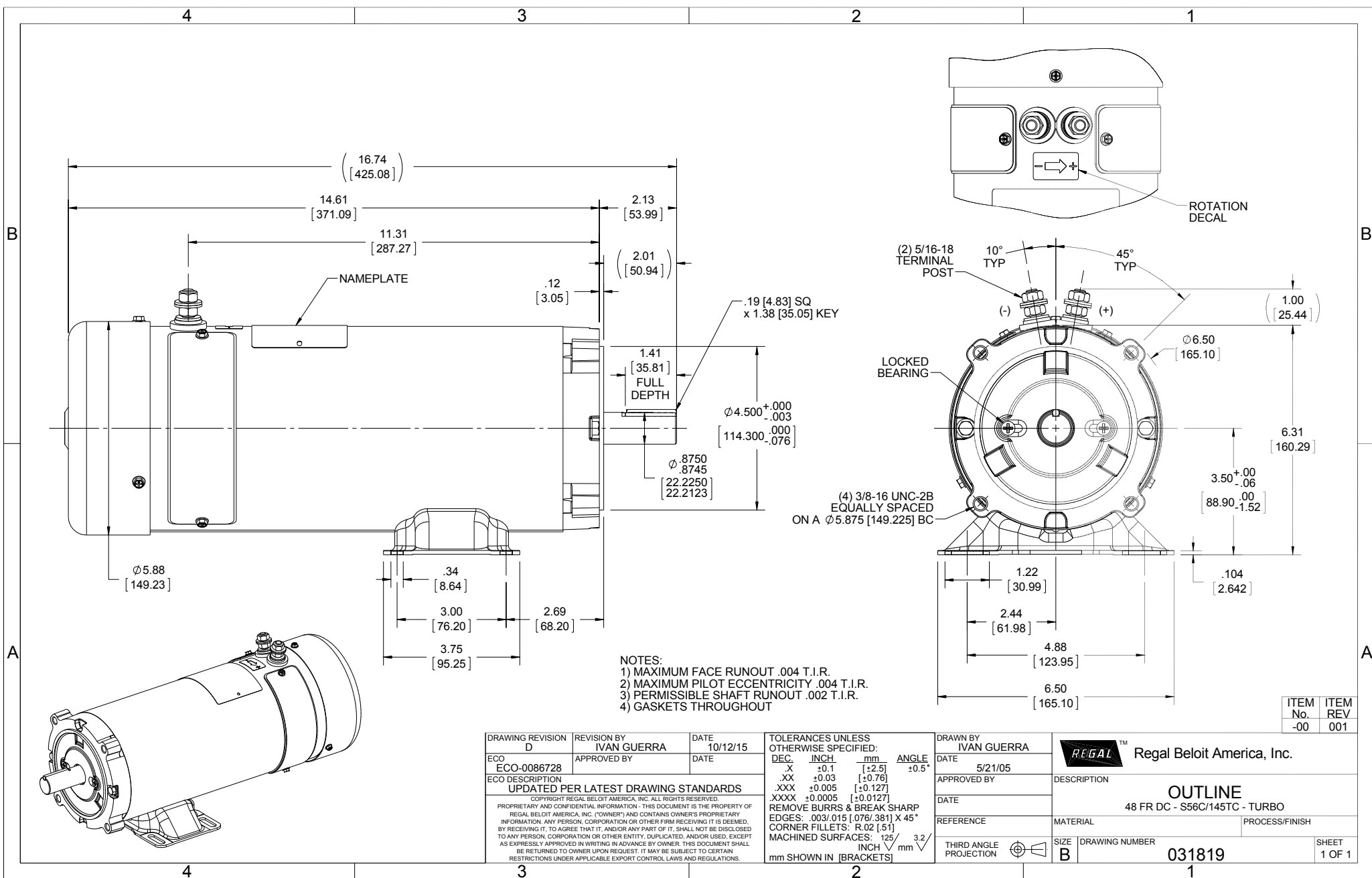
### Nameplate Specifications

Output HP	2 Hp	Output KW	1.5 kW
Voltage	24 V	Current	70.0 A
Speed	1800 rpm	Service Factor	1
Efficiency	85.8 %	Duty	Continuous
Insulation Class	F	Frame	ZLS56CZ
Enclosure	Totally Enclosed Fan Cooled	Overload Protector	No
Ambient Temperature	40 °C	Drive End Bearing Size	6205
Opp Drive End Bearing Size	6203	UL	Recognized
CSA	Y	CE	N

### Technical Specifications

Rotation	Reversible	Mounting	Rigid C base
Overall Length	16.74 in	Frame Length	11.50 in
Shaft Diameter	0.625 in	Shaft Extension	2.13 in
Outline Drawing	031819		

This is an uncontrolled document once printed or downloaded and is subject to change without notice. Date Created: 10/15/2018



DRAWING REVISION D	REVISION BY IVAN GUERRA	DATE 10/12/15	TOLERANCES UNLESS OTHERWISE SPECIFIED: DEC. INCH mm ANGLE -X ±0.1 [+2.5] ±0.5° .XX ±0.03 [+0.76] .XXX ±0.005 [+0.127] .XXXX ±0.0005 [+0.0127]
ECO ECO-0086728	APPROVED BY	DATE	REMOVE BURRS & BREAK SHARP EDGES: .003/.015 [.076/.381] X 45° CORNER FILLETS: R.02 [.51]
ECO DESCRIPTION UPDATED PER LATEST DRAWING STANDARDS			MACHINED SURFACES: 125 $\sqrt{}$ 3.2 INCH mm
<small>COPYRIGHT REGAL BELOIT AMERICA, INC. ALL RIGHTS RESERVED          PROPRIETARY AND CONFIDENTIAL INFORMATION - THIS DOCUMENT IS THE PROPERTY OF          REGAL BELOIT AMERICA, INC. ("OWNER") AND CONTAINS OWNER'S PROPRIETARY          INFORMATION. ANY PERSON, CORPORATION OR OTHER FIRM RECEIVING IT IS DEEMED,          BY RECEIVING IT, TO AGREE THAT IT, AND/OR ANY PART OF IT, SHALL NOT BE DISCLOSED          TO ANY PERSON, CORPORATION OR OTHER ENTITY, DUPLICATED, AND/OR USED, EXCEPT          AS EXPRESSLY APPROVED IN WRITING IN ADVANCE BY OWNER. THIS DOCUMENT SHALL          BE RETURNED TO OWNER UPON REQUEST. IT MAY BE SUBJECT TO CERTAIN          RESTRICTIONS UNDER APPLICABLE EXPORT CONTROL LAWS AND REGULATIONS.</small>			

DRAWN BY IVAN GUERRA	DATE 5/21/05
APPROVED BY	DATE
REFERENCE	THIRD ANGLE PROJECTION

Regal Beloit America, Inc.	
DESCRIPTION <b>OUTLINE</b> 48 FR DC - S56C/145TC - TURBO	
MATERIAL	PROCESS/FINISH
SIZE B	DRAWING NUMBER <b>031819</b>
ITEM No. -00	ITEM REV 001
SHEET 1 OF 1	