

**EXPLOSION PROOF, MICROSWITCH**

**DNLF1**



NEMA 4, 4X, 7 & 9



EC94/9 Ex d, IIC, T6  
EN/IS/IEC 60079-0,  
EN/IS/IEC 60079-1



**FEATURES**

- Explosion proof to I, IIA, IIB, and IIC
- As per UL1203 and UL508, File no. E246615
- Shatterproof Polycarbonate Dome
- Easily settable colour coded cam
- The locked serrated cams, ensures the secured settings against any vibration
- Switch Box conforms to Ex d IIC, T6 Highest level of safety
- Cable entries M20, 1/2" NPT, or 3/4" NPT
- All fasteners are in Stainless Steel
- Additional mounting hole is threaded as per the UNC series
- The customer can choose any other V3 mounting micro switch. Current above 10 Amp PCB will not be provided
- ATEX, certified by Baseefa United Kingdom Certification no. Baseefa09ATEX0126
- UL Certified, conforms to UL1203 and UL508, File no. 246615
- Temperature range -20 °C to +80 °C  
On request -40 °C to +120 °C, -60 °C to +80 °C
- Cable entry  
Dual cable entry  
Optional 4 cable entry
- IP67 : Water, Rain and Dust Proof
- IP68 : Upto 100m on request



**ORDERING OPTIONS**

DNL		a	b				c	d
TYPE	CODE	MAKE	SWITCH MODEL	RATING		NO. OF ELEMENTS	CABLE ENTRY	
Ex PROOF IIA, IIB, IIC F	1A	HONEYWELL	V15S05-CZ100A05-01	5Amp 125 OR 250V AC, 0.1Amp 48V DC, NO/ NC 0.03Amp 250V DC, NO/ NC		1	1/2" NPT (F) 4R	
	11A		V7-1C17E9-201	15Amp 125 OR 250V AC, 0.5Amp 125V DC, 0.25Amp 250V DC, NO/ NC		2	3/4" NPT (F) 6R	
						3	M20X1.5 (F) 3M	
						4		

e	f	g	h		i	j	k
BODY AND COVER	COLOUR	INDICATOR	TEMPERATURE RANGE		CABLE ENTRY	BRACKET	CERTIFICATES
ALUMINIUM * CF8M B5	BLACK * BLUE B	RED AND YELLOW * RED AND GREEN G 3 WAY L PORT 3L 3 WAY T PORT 3T	-20 °C to +80 °C * -40 °C to +120 °C LTHT -60 °C to +80 °C LTL		DUAL * 4 ENTRY 4Q	REFER PAGE 39	BIS * CMRI C ATEX A U <sub>L</sub> U CCOE CC INMETRO I GOST G DGMS D

Note : (1) For CMRI and DGMS IIA, IIB Certificate will be applicable  
(2) CCOE Certificate with KLPL test report

**ORDERING EXAMPLE**

- DNLF-11A2-4R-B1-D
- Explosion proof to I, IIA, IIB and IIC and Weather proof is provided with Honeywell 15 Amp switches 2 nos, each with 1 NO and 1 NC, 1/2" NPT cable gland entry. A Stainless Steel bracket, suitable for 80X30 tapping and for 20mm pinion height with DGMS certificate

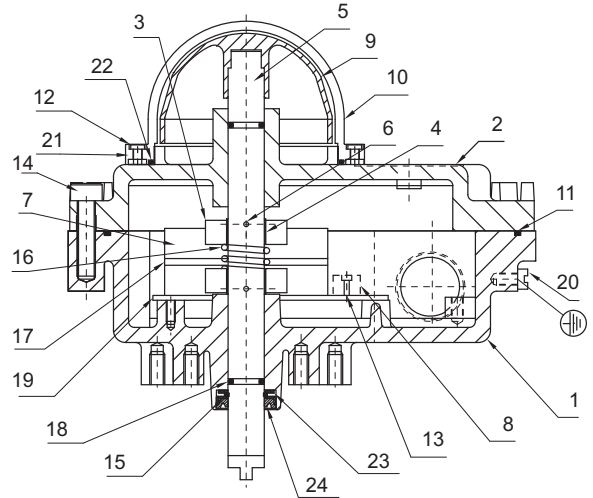
# VERSATILE LIMITSWITCH

## DNLF1

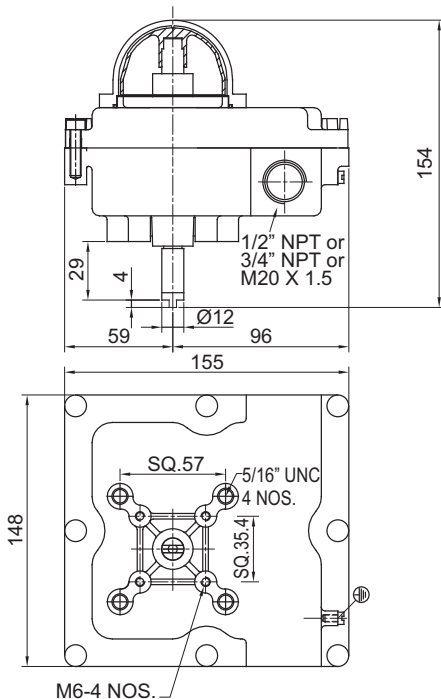
### MATERIAL OF CONSTRUCTION

S.NO.	DESCRIPTION	QTY.	MATERIAL
1	HOUSING	1	ALUMINIUM ALLOY LM-6
2	COVER	1	ALUMINIUM ALLOY LM-6
3	CAM	2	POLYAMIDE
4	CAM-LOCK	2	DELTRIN
5	SHAFT	1	STAINLESS STEEL
6	SPRING DOWEL	2	SPRING STEEL
7	MICROSWITCH (SPDT)	2	HONEYWELL
8	CONNECTOR STRIP-6 WAY	1	POLYAMIDE
9	INDICATOR	1	ABS PLASTIC
10	INDICATOR COVER	1	POLYCARBONATE
11	GASKET	1	NBR
12	SCREW FOR MICROSWITCH	2	STAINLESS STEEL
13	SCREW FOR CONN. STRIP	2	STAINLESS STEEL
14	NON FALLING SCREW	8	STAINLESS STEEL
15	EXTERNAL CIRCLIP	1	STAINLESS STEEL
16	SPRING	1	STAINLESS STEEL
17	PAD	1	POLYAMIDE
18	O-RING	2	NBR
19	PRINTED CIRCUIT BOARD	1	-
20	SCREW FOR EARTH CONN.	2	STAINLESS STEEL
21	PHILIPS HEAD SCREW	4	STAINLESS STEEL
22	O-RING	1	NBR
23	WASHER	1	SS304
24	CUP SEAL	1	NBR

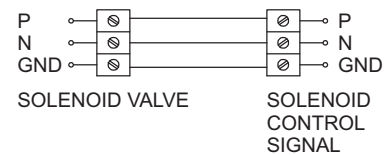
### CROSS SECTION



### DIMENSIONS (In mm)



### WIRING DIAGRAM



Valve open Yellow cam BOTTOM SWITCH  
Valve closed Red cam TOP SWITCH

