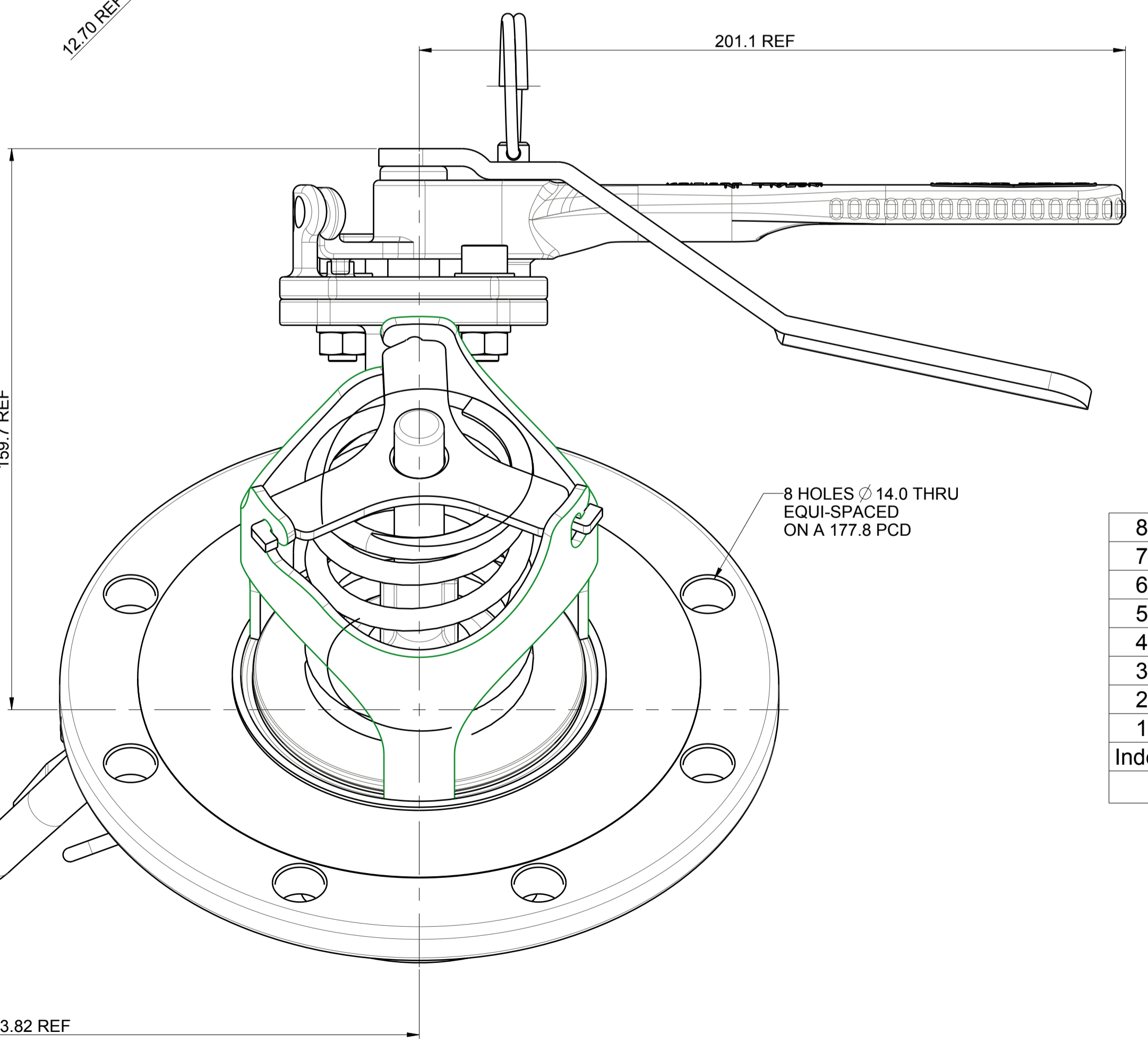
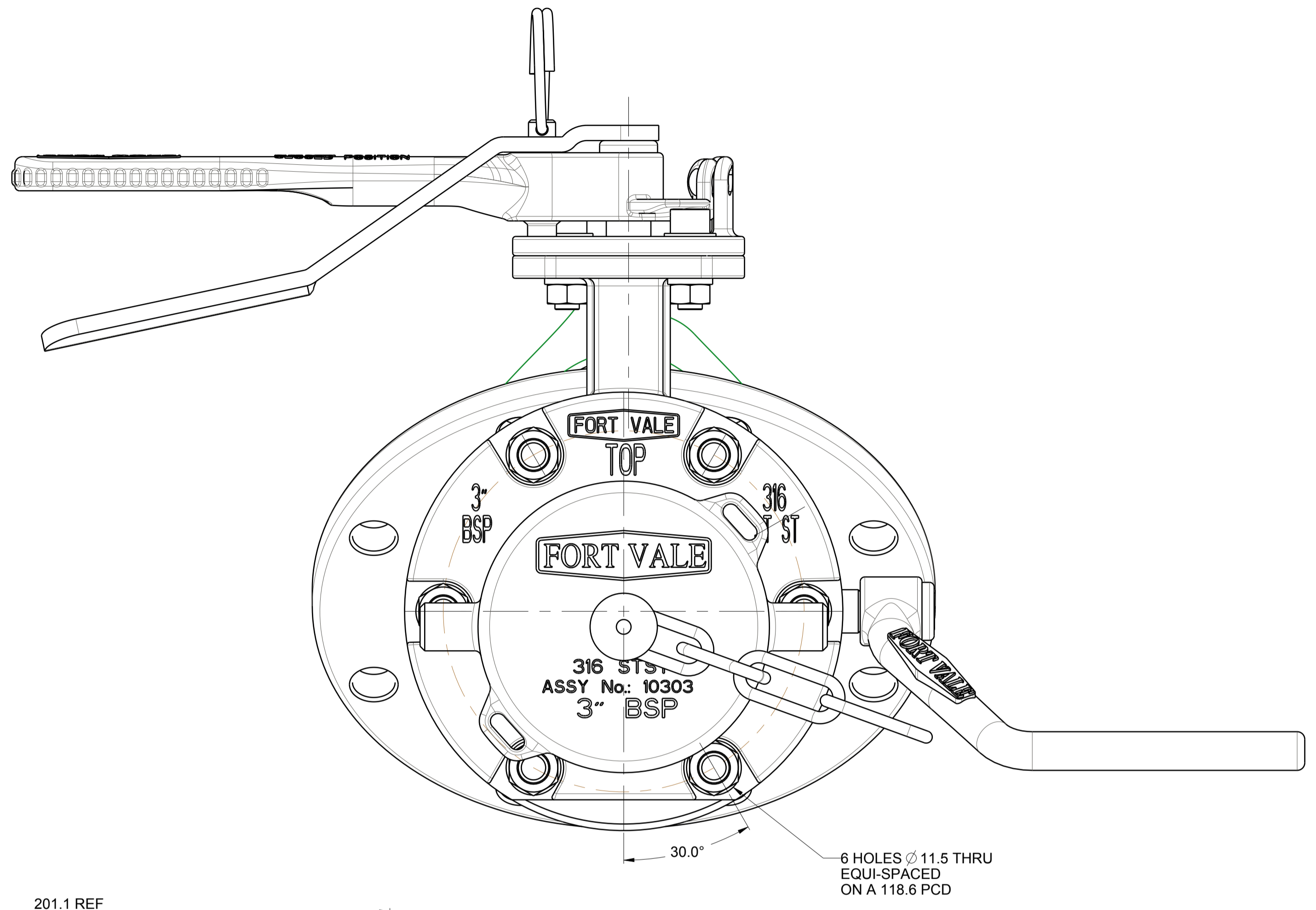
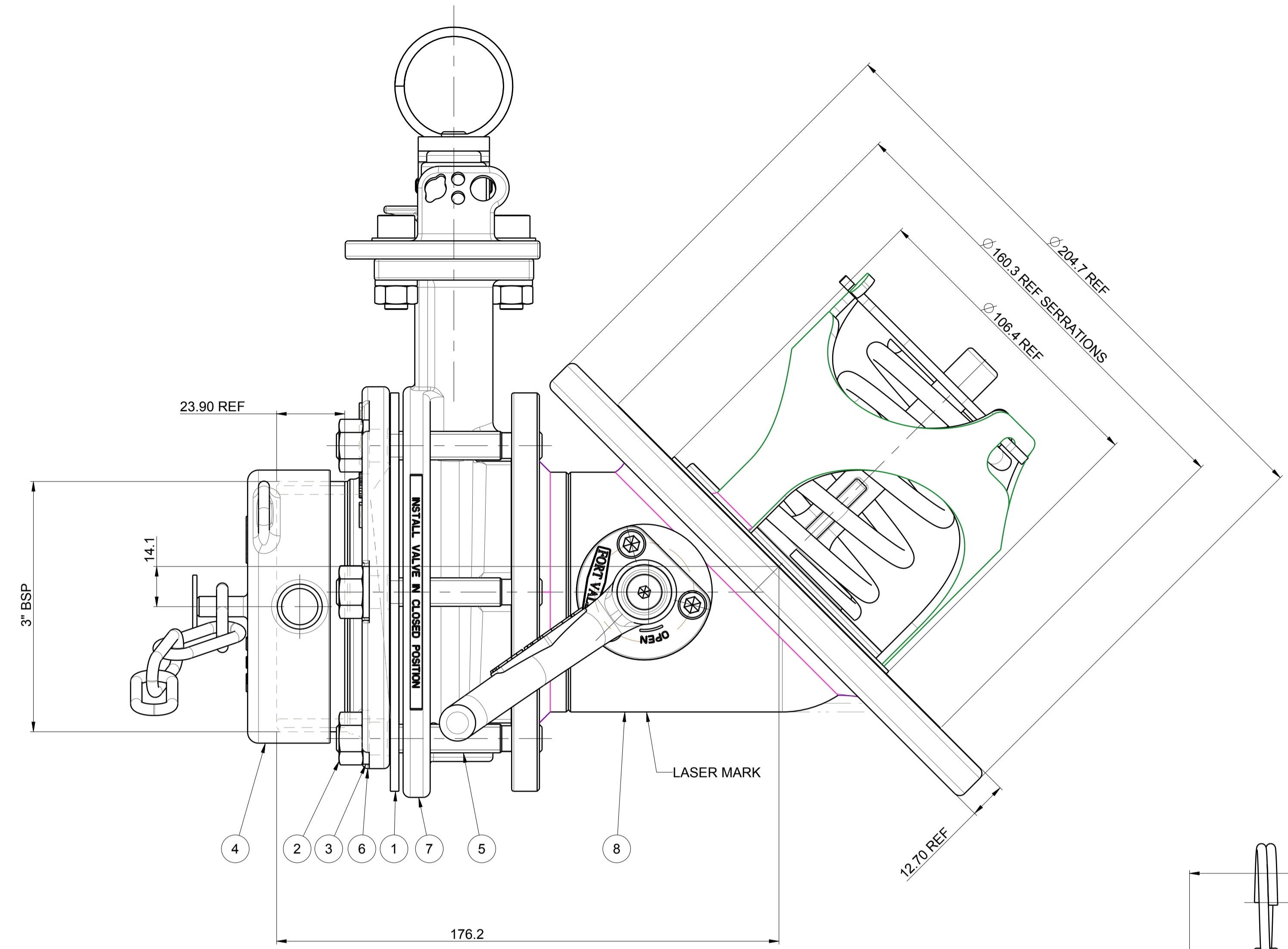


MOD	REVISION	SIG & DATE
05	DRW METRICATED. LASER MARK ADDED	IA 02/05/2012



DESIGN CODE : ASME VIII DIV 1
DESIGN PRESSURE (MAWP) : 4barg (58psig)
HYDRAULIC TEST PRESSURE : 6barg (87psig)
MAX DESIGN TEMPERATURE : 200°C (392°F)
MIN DESIGN TEMPERATURE : -20°C (-4°F)

LASER MARK DETAILS



3" COMPOSITE BUTTERFLY VALVE
 45° LH ASSEMBLY
 Part No: 826/3680B
 Material: 316 STST
 Seals: PTFE
 MAWP: 4 barg (58 psig)
 TEMP RANGE: -20°C TO 200°C
 Serial No: 123456789
 MADE IN UK
 WWW.FORTVALE.COM

Index	Part Number	Description	Material	Qty
8	826/9140	3" BORE 45 DEG FOOTVALVE	316 STST	1
7	368/5200B	3" BUTTERFLY VALVE	VARIOUS	1
6	368/5130	OUTLET FLANGE	316 STST	1
5	368/5101	M10 X 72MM LONG STUD	316 STST	6
4	10303PS	3" BSP BLANK CAP WITH CHAIN	316 STST	1
3	5113-002	M10 FLAT SECTION SP/WASHER ST	304 STST	6
2	5112-002	M10 FULL NUT	304 STST	6
1	5005-345	PTFE GASKET	P.T.F.E.	1

Assembly BOM

SALES@FORTVALE.COM WWW.FORTVALE.COM
 ENGLAND, USA, CHINA
 NETHERLANDS, SINGAPORE
 © FORT VALE ENGINEERING LTD 2012. DO NOT SCALE - IF IN DOUBT ASK

UNLESS OTHERWISE STATED	FIRST ANGLE PROJECTION	MATERIAL: 316 STST
X.X ±0.5	SURFACE FINISH 3.2um MAX	SCALE: NTS MASS: 11.56 kg
X.XX ±0.25	CORNER RADII 0.8	CHECKED DVN: 22636
X.XXX ±0.125	CORNER CHAMFER 1.0 X 45°	SHEET OF
ANGLES ±0.5°	REMOVE ALL BURRS AND SHARP EDGES	DATE: 19-OCT-98
DESCRIPTION		DRG NO.
3" COMPOSITE BUTTERFLY VALVE		826/3680B
45° LH ASSEMBLY		A1 UNITS mm