



JUNCTION BOXES



Class I, Div. 1 & 2, Groups B^①, C, D
Class I, Zones 1 & 2, Groups IIB+H₂, IIA
Class II, Div. 1 & 2, Groups E, F, G
Class III, Div. 1 & 2 ENCL TYPE 3, 4, 4X^②
NEMA 3, 4, 4X^②, 7 (B, C, D), 9 (E, F, G)
CENELEC/ATEX/IEC Ex Ex d IIB + H2 T5 or T6
Ex tD A21 IP66
Tamb ≤ + 60°C

ATEX / IEC Ex Certified

#UL886 - Outlet Boxes and Fittings for use in Hazardous (Classified) Locations. File #E10514

#UL698 & #UL1203 - Explosion Proof and Dust Ignition Proof Electrical Equipment. Files #E83969 & E12379

#C22.2 No. 30-M1986 -Explosion Proof Enclosure for use in Class I Hazardous Locations. FILE #LR11716

II 2 GD 0539

PTB 07 ATEX 1025U (Empty Housing)

PTB 07 ATEX 1024 (Enclosure with Controls)

IEC Ex 07.0022U

IEC Ex 07.0023



FEATURES-SPECIFICATIONS

QUANTUM

Applications

- Locations made hazardous due to the presence of flammable gases or vapors, combustible dust, or easily ignitable fibers and flyings, and areas which are subject to corrosion, weather and dampness
- Petroleum Refineries, Chemical and Petrochemical plants with indoor and outdoor processes
- Applications requiring junction, pull and/or splices boxes
- Enclosure to house control stations, meters, relays, starters, circuit breakers, terminal blocks and other equipment or devices

- **Global applications (ATEX/IEC Ex) Enclosures are available for global applications with "CEN" suffix. Assemblies that are modified to ATEX IEC Ex standards maintain their North American certifications.**

- Enclosures are available blank or with factory modifications, options and accessories. See catalog pages E40-E45 for additional details

Features

- Copper-Free Cast Aluminum Construction. High strength, lighter in weight, corrosion resistant
- Fewer Cover Bolts. Computer-aided design lessens the number of cover bolts by eliminating corner bolts. Reduces installation and maintenance time
- Gasketed Flange. Nitrile (BUNA-N) "O" ring gasket is located inside bolt circle to prevent water seeping into enclosure
- Ductile Mounting Lugs. Lugs are made of ductile aluminum alloy to adjust to irregular mounting surfaces without damaging enclosure. Enclosure size 8x12x6 and larger furnished with bi-directional mounting lugs which may be positioned either vertically or horizontally to facilitate mounting
- Hinges. All enclosure sizes 8x12x6 and larger are supplied as standard with hinges mounted on the left side. Smaller enclosures are drilled for field installation of two Killark HINGE-9 assemblies or can be installed at factory by adding SU2 to catalog number. For hinges to be located in other positions, specify when ordering

- Recessed Flange Notches. Flanges are notched to allow for easier cover opening with prying instrument without flange damage
- Enclosures are cast with wall thickness suitable for drilling and tapping of conduit openings in all sides and back of boxes. Conduit size and location information is found on dimensional chart in this section. Conduit openings can be factory or field installed
- Mounting pan bosses are pre-drilled at factory for field mounting of optional mounting pan

Material/Finish

- Enclosure: Copper-free aluminum (less than 4/10 of 1%)
- Hinges: Aluminum with stainless steel hardware
- Steel Cover Bolts
- Optional Mounting Pans: Sheet aluminum
- Optional Windows: Tempered soda lime glass
- Aluminum Lacquer Paint Finish Standard

^① Conduits must be sealed within 18" for Group B applications.

^② Type 4X and NEMA 4X with optional SU-1 modification.



JUNCTION BOXES



See page E33 for area classification and certification information

FEATURES-SPECIFICATIONS

MODIFICATIONS	
SUFFIX NUMBER	DESCRIPTION
KIT-251	100 amp ground lug
KIT-252	225 amp ground lug
SU3-ATEX [Ⓞ]	ATEX IECEx Drain & breather installed. Groups B & Ex d IIB+H2
SU3B-4X	Type 4X drain D & breather installed Group B, C, D Type 4X
SU2	Install hinges (8x10 and smaller enclosures)
SU9	Special paint finish
SU14	Fungus proofing of enclosures
SU93	Do not paint enclosures
SU1	Stainless steel external hardware for Type 4X
TOE PLATE KIT	Door guide plate to assist in aligning installing cover bolts

[Ⓞ] The installation of a SU3-ATEX will void the TYPE 4-4X and IP66 ratings of enclosure.

Hinges

Hinges are provided standard on 6x12x4 EXB boxes and on sizes 8x12x6 and larger. Smaller size EXB boxes are factory drilled for field installation of (2) HINGE-12L on left side.

For replacement hinges use HINGE-11L for enclosures size 8x12x6 through 16x24x10. HINGE-10L is for use with box size 18x24x8 and larger. (See page E41 for hinge information.)

Order Mounting pan as separate item and specify if factory or field installed.

† Maximum number of "G" series control operators permitted in cover, down + across = total. See Controls section when selecting "G" Series control operators.

Note: For Group B applications all conduit openings must be sealed within 18" of enclosures.

[Ⓞ] Not ATEX approved

[Ⓞ] cCSAus only

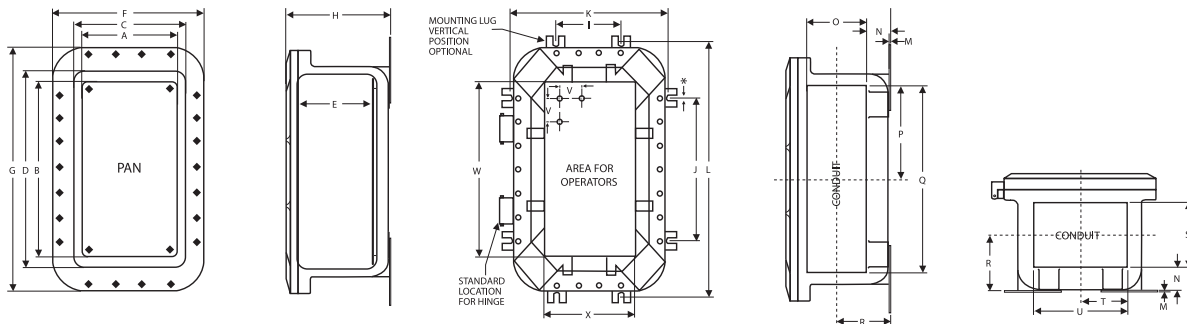
EXB JUNCTION BOXES AND ENCLOSURES					
CATALOG NUMBER	NOMINAL ENCLOSURE INSIDE DIMENSIONS W" L" D" (MM)	MAXIMUM CONDUIT SIZE	OPTIONAL MOUNTING PAN NUMBER	MAXIMUM NUMBER OF OPERATORS†	WEIGHT LBS (KGS)
EXB-664 N34	6x6x4 (152x152x102)	2"	7997-5	2 rows of 2 = 4	18 (8.17)
EXB-684 N34 [Ⓞ]	6x8x4 (152x203x102)	2"	7997-1	2 rows of 3 = 6	26.6 (12.08)
EXB-6124 N34 [Ⓞ]	6x12x4 (152x305x102)	2"	7997-6	4 rows of 2 = 8	70 (31.78)
EXB-886 N34	8x8x6 (203x203x152)	2"	7996-1	3 rows of 3 = 9	30 (13.62)
EXB-8104 N34	8x10x4 (203x254x102)	2"	7996-2	4 rows of 3 = 12	35 (15.89)
EXB-8106 N34	8x10x6 (203x254x152)	2"	7996-2	4 rows of 3 = 12	38 (17.25)
EXB-8126 N34	8x12x6 (203x305x152)	3"	17619	4 rows of 3 = 12	47 (21.34)
EXB-8128 N34	8x12x8 (203x305x203)	4"	17619	4 rows of 3 = 12	67 (30.42)
EXB-10106 N34	10x10x6 (254x254x152)	3"	17618	3 rows of 3 = 9	92 (41.77)
EXB-10108 N34	10x10x8 (254x254x203)	5"	17618	3 rows of 3 = 9	72 (32.69)
EXB-10146 N34	10x14x6 (254x356x152)	3"	17617	5 rows of 3 = 15	82 (37.23)
EXB-10148 N34	10x14x8 (254x356x203)	5"	17617	5 rows of 3 = 15	89 (40.41)
EXB-12126 N34	12x12x6 (305x305x152)	3"	7988-1	4 rows of 4 = 16	75 (34.05)
EXB-12128 N34	12x12x8 (305x305x203)	5"	7988-1	4 rows of 4 = 16	83 (37.68)
EXB-12186 N34	12x18x6 (305x457x152)	3"	15515	7 rows of 4 = 28	110 (49.94)
EXB-12188 N34	12x18x8 (305x457x203)	5"	15515	7 rows of 4 = 28	120 (54.48)
EXB-12246 N34	12x24x6 (305x610x152)	3"	7988-4	9 rows of 4 = 36	145 (65.83)
EXB-12248 N34	12x24x8 (305x610x203)	5"	7988-4	9 rows of 4 = 36	160 (72.64)
EXB-122412 N34	12x24x12 (305x610x305)	5"	7988-4	9 rows of 4 = 36	190 (86.26)
EXB-12368 N34	12x36x8 (305x914x203)	5"	17620	14 rows of 4 = 56	231 (104.87)
EXB-123610 N34	12x36x10 (305x914x254)	6"	17620	14 rows of 4 = 56	245 (111.23)
EXB-14146 N34	14x14x6 (356x356x152)	3"	17621	5 rows of 5 = 25	121 (54.93)
EXB-14148 N34	14x14x8 (356x356x203)	5"	17621	5 rows of 5 = 25	136 (61.74)
EXB-16166 N34	16x16x6 (406x406x152)	3"	7995-1	6 rows of 6 = 36	127 (57.66)
EXB-16168 N34	16x16x8 (406x406x203)	5"	7995-1	6 rows of 6 = 36	138 (62.65)
EXB-16248 N34	16x24x8 (406x610x203)	5"	17622	8 rows of 5 = 40	251 (113.95)
EXB-162410 N34	16x24x10 (406x610x254)	6"	17622	8 rows of 5 = 40	266 (120.76)
EXB-18186 N34	18x18x6 (457x457x152)	3"	17623	6 rows of 6 = 36	206 (93.52)
EXB-18188 N34	18x18x8 (457x457x203)	5"	17623	6 rows of 6 = 36	220 (99.88)
EXB-18248 N34	18x24x8 (457x610x203)	5"	15516	9 rows of 7 = 63	240 (108.96)
EXB-182410 N34	18x24x10 (457x610x254)	6"	15516	9 rows of 7 = 63	260 (118.04)
EXB-18308 N34 [Ⓞ] [Ⓞ]	18x30x8 (457x762x203)	5"	22061	11 rows of 7 = 77	320 (145.28)
EXB-18368 N34	18x36x8 (457x914x203)	5"	15517	13 rows of 7 = 91	380 (172.52)
EXB-183610 N34	18x36x10 (457x914x254)	6"	15517	13 rows of 7 = 91	405 (183.87)
EXB-203611 N34	20x36x11 (508x914x279)	6"	17596	13 rows of 7 = 91	540 (245.16)
EXB-24248 N34	24x24x8 (610x610x203)	5"	8000-1	9 rows of 9 = 81	330 (149.82)
EXB-242410 N34	24x24x10 (610x610x254)	6"	8000-1	9 rows of 9 = 81	350 (158.90)
EXB-24308 N34	24x30x8 (610x762x203)	5"	20567	9 rows of 7 = 63	430 (195.22)
EXB-24368 N34	24x36x8 (610x914x203)	5"	17624	11 rows of 7 = 77	531 (241.07)
EXB-243610 N34	24x36x10 (610x914x254)	6"	17624	11 rows of 7 = 77	506 (229.72)



JUNCTION BOXES

CATALOG NUMBER	EXB DIMENSIONS												
	INTERNAL DIMENSIONS (INCHES)				EXTERNAL DIMENSIONS (INCHES)			MOUNTING DIMENSIONS (INCHES)					
	PAN		AVAILABLE FOR DEVICES		F	G	H	I	J	K	L	M	
	A	B	C	D	E								
EXB-664 N34	5 (127.0)	5 (127.0)	5.73 (145.5)	5.73 (145.5)	4.31 (109.47)	10.32 (262.13)	10.32 (262.13)	6.09 (154.69)	N/A	4.00 (101.60)	7.88 (200.15)	N/A	0.19 (4.83)
EXB-684 N34	5 (127.0)	7 (177.8)	5.75 (146.1)	7.75 (196.9)	4.18 (106.17)	10.25 (260.35)	12.25 (311.15)	6.12 (155.45)	N/A	4.00 (101.60)	7.88 (200.15)	N/A	0.19 (4.83)
EXB-6124 N34	5 (127.0)	11 (279.4)	5.75 (146.1)	11.75 (298.5)	4.25 (107.95)	10.69 (271.53)	16.69 (423.93)	7.00 (177.80)	N/A	7.82 (198.63)	7.88 (200.15)	N/A	0.19 (4.830)
EXB-886 N34	7 (177.8)	7 (177.8)	7.59 (192.8)	7.59 (192.8)	6.06 (153.92)	12.32 (312.93)	12.32 (312.93)	8.09 (205.49)	N/A	6.00 (152.40)	9.88 (250.95)	N/A	0.19 (4.83)
EXB-8104 N34	7 (177.8)	9 (228.6)	7.73 (196.3)	9.73 (247.1)	4.06 (103.12)	12.32 (312.93)	14.32 (363.73)	6.32 (160.53)	N/A	8.00 (203.20)	9.88 (250.95)	N/A	0.19 (4.83)
EXB-8106 N34	7 (177.8)	9 (228.6)	7.59 (192.8)	9.59 (243.6)	6.06 (153.92)	12.32 (312.93)	14.32 (363.73)	8.32 (211.33)	N/A	8.00 (203.20)	9.88 (250.95)	N/A	0.19 (4.83)
EXB-8126 N34	7 (177.8)	11 (279.4)	8 (203.2)	12 (304.8)	6.38 (161.54)	13.25 (336.55)	17.25 (438.15)	8.70 (220.98)	3.82 (97.03)	7.82 (198.63)	10.38 (263.65)	14.38 (365.25)	0.19 (4.83)
EXB-8128 N34	7 (177.8)	11 (279.4)	8 (203.2)	12 (304.8)	8.38 (212.34)	13.25 (336.55)	17.25 (438.15)	10.70 (271.78)	3.82 (97.03)	7.82 (198.63)	10.38 (263.65)	14.38 (365.25)	0.19 (4.83)
EXB-10106 N34	9 (228.6)	9 (228.6)	10 (254.0)	10 (254.0)	6.20 (157.48)	15.25 (387.35)	15.25 (387.35)	8.90 (226.06)	4.94 (125.48)	4.94 (125.48)	12.94 (328.68)	12.94 (328.68)	0.25 (6.35)
EXB-10108 N34	9 (228.6)	9 (228.6)	10 (254.0)	10 (254.0)	8.20 (208.28)	15.25 (387.35)	15.25 (387.35)	10.90 (276.86)	4.94 (125.48)	4.94 (125.48)	12.94 (328.68)	12.94 (328.68)	0.25 (6.35)
EXB-10146 N34	9 (228.6)	13 (330.2)	10 (254.0)	14 (355.6)	6.20 (157.48)	15.25 (387.35)	19.25 (488.95)	8.90 (226.06)	4.94 (125.48)	8.94 (227.08)	12.94 (328.68)	16.94 (430.28)	0.25 (6.35)
EXB-10148 N34	9 (228.6)	13 (330.2)	10 (254.0)	14 (355.6)	8.20 (208.28)	15.25 (387.35)	19.25 (488.95)	10.90 (276.86)	4.94 (125.48)	8.94 (227.08)	12.94 (328.68)	16.94 (430.28)	0.25 (6.35)
EXB-12126 N34	10.5 (266.7)	10.5 (266.7)	11.5 (292.1)	11.5 (292.1)	6.00 (152.40)	16.38 (416.05)	16.38 (416.05)	8.69 (220.73)	6.94 (176.28)	6.94 (176.28)	14.94 (379.48)	14.94 (379.48)	0.25 (6.35)
EXB-12128 N34	10.5 (266.7)	10.5 (266.7)	11.37 (288.8)	11.37 (288.8)	8.00 (203.20)	16.38 (416.05)	16.38 (416.05)	10.69 (271.53)	6.94 (176.28)	6.94 (176.28)	14.94 (379.48)	14.94 (379.48)	0.25 (6.35)
EXB-12186 N34	10 (254.0)	16 (406.4)	11.5 (292.1)	17.5 (444.5)	6.00 (152.40)	16.38 (416.05)	22.38 (568.45)	9.06 (230.12)	6.94 (176.28)	12.88 (327.15)	14.94 (379.48)	20.88 (530.35)	0.25 (6.35)
EXB-12188 N34	10 (254.0)	16 (406.4)	11.37 (288.8)	17.37 (441.2)	8.00 (203.20)	16.38 (416.05)	22.38 (568.45)	11.06 (280.92)	6.94 (176.28)	12.88 (327.15)	14.94 (379.48)	20.88 (530.35)	0.25 (6.35)
EXB-12246 N34	10.25 (260.4)	22.25 (565.2)	11.5 (292.1)	23.5 (596.9)	6.00 (152.40)	16.38 (416.05)	28.38 (720.85)	9.32 (236.73)	6.94 (176.28)	18.88 (479.55)	14.94 (379.48)	26.88 (682.75)	0.25 (6.35)
EXB-12248 N34	10.25 (260.4)	22.25 (565.2)	11.37 (288.8)	23.37 (593.6)	8.00 (203.20)	16.38 (416.05)	28.38 (720.85)	11.32 (287.53)	6.94 (176.28)	18.88 (479.55)	14.94 (379.48)	26.88 (682.75)	0.25 (6.35)
EXB-122412 N34	10.25 (260.4)	22.25 (565.2)	11.37 (288.8)	23.37 (593.6)	12.00 (304.80)	16.38 (416.05)	28.38 (720.85)	15.32 (389.13)	6.94 (176.28)	18.88 (479.55)	14.94 (379.48)	26.88 (682.75)	0.25 (6.35)
EXB-12368 N34	11 (279.4)	35 (889.0)	12 (304.8)	36 (914.4)	8.12 (206.25)	17.25 (438.15)	41.25 (1047.75)	11.40 (289.56)	7.00 (177.80)	31.00 (787.40)	15.00 (381.00)	39.00 (990.60)	0.25 (6.35)
EXB-123610 N34	11 (279.4)	35 (889.0)	12 (304.8)	36 (914.4)	10.12 (257.05)	17.25 (438.15)	41.25 (1047.75)	13.40 (340.36)	7.00 (177.80)	31.00 (787.40)	15.00 (381.00)	39.00 (990.60)	0.25 (6.35)
EXB-14146 N34	13 (330.2)	13 (330.2)	14 (355.6)	14 (355.6)	6.20 (157.48)	19.25 (488.95)	19.25 (488.95)	9.40 (238.76)	9.00 (228.60)	9.00 (228.60)	17.00 (431.80)	17.00 (431.80)	0.25 (6.35)
EXB-14148 N34	13 (330.2)	13 (330.2)	14 (355.6)	14 (355.6)	8.20 (208.28)	19.25 (488.95)	19.25 (488.95)	11.40 (289.56)	9.00 (228.60)	9.00 (228.60)	17.00 (431.80)	17.00 (431.80)	0.25 (6.35)
EXB-16166 N34	14 (355.6)	14 (355.6)	15.5 (393.7)	15.5 (393.7)	6.00 (152.40)	20.38 (517.65)	20.38 (517.65)	9.19 (233.43)	10.94 (277.88)	10.94 (277.88)	18.94 (481.08)	18.94 (481.08)	0.25 (6.35)
EXB-16168 N34	14 (355.6)	14 (355.6)	15.37 (390.4)	15.37 (390.4)	8.00 (203.20)	20.38 (517.65)	20.38 (517.65)	11.19 (284.23)	10.94 (277.88)	10.94 (277.88)	18.94 (481.08)	18.94 (481.08)	0.25 (6.35)
EXB-16248 N34	15 (381.0)	23 (584.2)	16 (406.4)	24 (609.6)	8.12 (206.25)	21.25 (539.75)	29.25 (742.95)	12.00 (304.80)	11.38 (289.05)	19.38 (492.25)	19.38 (492.25)	27.38 (695.45)	0.25 (6.35)
EXB-162410 N34	15 (381.0)	23 (584.2)	16 (406.4)	24 (609.6)	10.12 (257.05)	21.25 (539.75)	29.25 (742.95)	14.00 (355.60)	11.38 (289.05)	19.38 (492.25)	19.38 (492.25)	27.38 (695.45)	0.25 (6.35)
EXB-18186 N34	17 (431.8)	17 (431.8)	18 (457.2)	18 (457.2)	6.12 (155.45)	23.25 (590.55)	23.25 (590.55)	10.00 (254.00)	13.38 (339.85)	13.38 (339.85)	21.38 (543.05)	21.38 (543.05)	0.25 (6.35)
EXB-18188 N34	17 (431.8)	17 (431.8)	18 (457.2)	18 (457.2)	8.12 (206.25)	23.25 (590.55)	23.25 (590.55)	12.00 (304.80)	13.38 (339.85)	13.38 (339.85)	21.38 (543.05)	21.38 (543.05)	0.25 (6.35)
EXB-18248 N34	16.38 (416.1)	22.13 (562.1)	17.37 (441.2)	23.37 (593.6)	8.00 (203.20)	22.38 (568.45)	28.38 (720.85)	11.75 (298.45)	13.00 (330.20)	19.00 (482.60)	21.00 (533.40)	27.00 (685.80)	0.25 (6.35)
EXB-182410 N34	16.38 (416.1)	22.13 (562.1)	17.23 (437.6)	23.23 (590.0)	10.00 (254.00)	22.38 (568.45)	28.38 (720.85)	13.75 (349.25)	13.00 (330.20)	19.00 (482.60)	21.25 (539.75)	27.00 (685.80)	0.25 (6.35)
EXB-18308 N34	16 (406.4)	29 (736.6)	17.87 (453.9)	30.8 (782.3)	8.00 (203.20)	22.37 (568.20)	35.37 (898.40)	12.37 (314.20)	13.25 (336.55)	26.5 (673.10)	21.00 (533.40)	34.50 (876.30)	0.25 (6.35)
EXB-18368 N34	16 (406.4)	34 (863.6)	17.37 (441.2)	35.37 (898.4)	8.00 (203.20)	22.38 (568.45)	40.38 (1025.65)	12.38 (314.45)	13.25 (336.55)	31.50 (800.10)	21.25 (539.75)	39.50 (1003.30)	0.25 (6.35)
EXB-183610 N34	16 (406.4)	34 (863.6)	17.23 (437.6)	35.23 (894.8)	10.00 (254.00)	22.38 (568.45)	40.38 (1025.65)	14.38 (365.25)	13.25 (336.55)	31.50 (800.10)	21.25 (539.75)	39.50 (1003.30)	0.25 (6.35)
EXB-203611 N34	18.75 (476.3)	34.75 (882.7)	20.14 (511.6)	36.14 (918.0)	11.13 (282.70)	26.44 (671.58)	42.44 (1077.98)	15.56 (395.22)	15.75 (400.05)	31.75 (806.45)	23.75 (603.25)	39.75 (1009.65)	0.25 (6.35)
EXB-24248 N34	22.25 (565.2)	22.25 (565.2)	23.37 (593.6)	23.37 (593.6)	8.06 (204.72)	28.38 (720.85)	28.38 (720.85)	12.19 (309.63)	19.50 (495.30)	19.50 (495.30)	27.50 (698.50)	27.50 (698.50)	0.25 (6.35)
EXB-242410 N34	22.25 (565.2)	22.25 (565.2)	23.23 (590.0)	23.23 (590.0)	10.06 (255.52)	28.38 (720.85)	28.38 (720.85)	14.19 (360.43)	19.50 (495.30)	19.50 (495.30)	27.50 (698.50)	27.50 (698.50)	0.25 (6.35)
EXB-24308 N34	23 (584.2)	29 (736.6)	24 (609.6)	30 (762.0)	8.12 (206.25)	29.25 (742.95)	35.25 (895.35)	12.40 (314.96)	19.56 (496.82)	25.56 (649.23)	27.56 (700.03)	33.56 (852.43)	0.25 (6.35)
EXB-24368 N34	23 (584.2)	35 (889.0)	24 (609.6)	36 (914.4)	8.12 (206.25)	29.25 (742.95)	41.25 (1047.75)	12.40 (314.96)	19.56 (496.82)	31.56 (801.63)	27.56 (700.03)	39.56 (1004.83)	0.25 (6.35)
EXB-243610 N34	23 (584.2)	35 (889.0)	24 (609.6)	36 (914.4)	10.12 (257.05)	29.25 (742.95)	41.25 (1047.75)	14.40 (365.76)	19.56 (496.82)	31.56 (801.63)	27.56 (700.03)	39.56 (1004.83)	0.25 (6.35)

Full dimensional details are available on .DFX or .DWG format. See Killark web site.



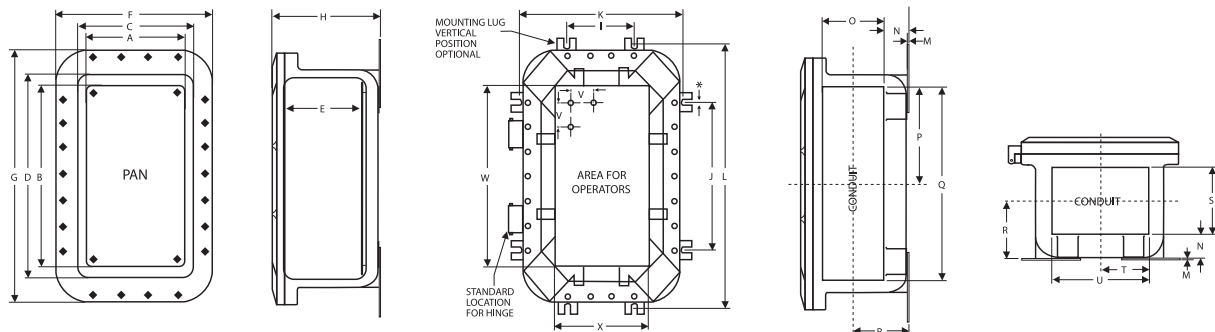
* Mounting lug opening 7/16" for boxes up to and including 8128 and 916" for boxes 10 x 10 and larger



JUNCTION BOXES

EXB CONDUIT & OPERATOR LAYOUT INFORMATION													
CATALOG NUMBER	CONDUIT AREA									OPERATOR AREA AND SPECS			
	N	O	P	Q	R	S	T	U	V	W	X		
EXB-664 N34	1.18 (30.0)	2.81 (71.4)	2.44 (62.0)	4.88 (124.0)	2.75 (69.85)	2.81 (71.37)	2.44 (61.98)	4.88 (123.95)	2.5 (63.50)	5 (127.00)	5 (127.00)	USE "LONG" STYLE G SERIES OPERATORS	
EXB-684 N34	1.18 (30.0)	2.81 (71.4)	3.44 (87.4)	6.88 (174.8)	2.75 (69.85)	2.81 (71.37)	2.44 (61.98)	4.88 (123.95)	2.5 (63.50)	7 (177.80)	5 (127.00)		
EXB-6124 N34	1.18 (30.0)	2.81 (71.4)	5.00 (127.0)	10.00 (254.0)	2.75 (69.85)	2.81 (71.37)	2.44 (61.98)	4.88 (123.95)	2.5 (63.50)	11 (279.40)	5 (127.00)		
EXB-886 N34	1.18 (30.0)	4.81 (122.2)	3.44 (87.4)	6.88 (174.8)	3.75 (95.25)	4.81 (122.17)	3.44 (87.38)	6.88 (174.75)	2.5 (63.50)	7 (177.80)	7 (177.80)		
EXB-8104 N34	1.18 (30.0)	2.81 (71.4)	4.44 (112.8)	8.88 (225.6)	2.75 (69.85)	2.81 (71.37)	3.44 (87.38)	6.88 (174.75)	2.5 (63.50)	9 (228.60)	7 (177.80)		
EXB-8106 N34	1.18 (30.0)	4.18 (106.2)	4.44 (112.8)	8.88 (225.6)	3.45 (87.63)	4.81 (122.17)	3.44 (87.38)	6.88 (174.75)	2.5 (63.50)	9 (228.60)	7 (177.80)		
EXB-8126 N34	1.78 (45.2)	3.75 (95.3)	5 (127.0)	10 (254.0)	3.66 (92.96)	3.75 (95.25)	3 (76.20)	6 (152.40)	2.5 (63.50)	11 (279.40)	7 (177.80)		
EXB-8128 N34	1.78 (45.2)	5.75 (146.1)	5 (127.0)	10 (254.0)	4.66 (118.36)	5.75 (146.05)	3 (76.20)	6 (152.40)	2.5 (63.50)	11 (279.40)	7 (177.80)		
EXB-10106 N34	1.91 (48.5)	3.75 (95.3)	4 (101.6)	8 (203.2)	3.79 (96.27)	3.75 (95.25)	4 (101.60)	8 (203.20)	2.5 (63.50)	9 (228.60)	9 (228.60)		
EXB-10108 N34	1.91 (48.5)	5.75 (146.1)	4 (101.6)	8 (203.2)	4.79 (121.67)	5.75 (146.05)	4 (101.60)	8 (203.20)	2.5 (63.50)	9 (228.60)	9 (228.60)		
EXB-10146 N34	1.91 (48.5)	3.75 (95.3)	6 (152.4)	12 (304.8)	3.79 (96.27)	3.75 (95.25)	4 (101.60)	8 (203.20)	2.5 (63.50)	13 (330.20)	9 (228.60)		
EXB-10148 N34	1.91 (48.5)	5.75 (146.1)	6 (152.4)	12 (304.8)	4.79 (121.67)	5.75 (146.05)	4 (101.60)	8 (203.20)	2.5 (63.50)	13 (330.20)	9 (228.60)		
EXB-12126 N34	1.88 (47.8)	3.81 (96.8)	4.94 (125.5)	9.88 (251.0)	4.00 (101.60)	3.81 (96.77)	4.94 (125.48)	9.88 (250.95)	2.5 (63.50)	10 (254.00)	10 (254.00)		
EXB-12128 N34	1.88 (47.8)	5.81 (147.6)	4.94 (125.5)	9.88 (251.0)	5.00 (127.00)	5.81 (147.57)	4.94 (125.48)	9.88 (250.95)	2.5 (63.50)	10 (254.00)	10 (254.00)		
EXB-12186 N34	2.06 (52.3)	3.13 (79.5)	7.94 (201.7)	15.88 (403.4)	3.88 (98.55)	3.75 (95.25)	4.94 (125.48)	9.88 (250.95)	2.5 (63.50)	16 (406.40)	10 (254.00)		
EXB-12188 N34	2.06 (52.3)	5.13 (130.3)	7.94 (201.7)	15.88 (403.4)	4.88 (123.95)	5.75 (146.05)	4.94 (125.48)	9.88 (250.95)	2.5 (63.50)	16 (406.40)	10 (254.00)		
EXB-12246 N34	2.13 (54.1)	3.13 (79.5)	10.94 (277.9)	21.88 (555.8)	3.94 (100.08)	3.81 (96.77)	4.94 (125.48)	9.88 (250.95)	2.5 (63.50)	22.25 (565.15)	10.25 (260.35)		
EXB-12248 N34	2.13 (54.1)	5.13 (130.3)	10.94 (277.9)	21.88 (555.8)	4.94 (125.48)	5.81 (147.57)	4.94 (125.48)	9.88 (250.95)	2.5 (63.50)	22.25 (565.15)	10.25 (260.35)		
EXB-122412 N34	2.13 (54.1)	9.13 (231.9)	10.94 (277.9)	21.88 (555.8)	6.94 (176.28)	9.81 (249.17)	4.94 (125.48)	9.88 (250.95)	2.5 (63.50)	22.25 (565.15)	10.25 (260.35)		
EXB-12368 N34	2.09 (53.1)	5.75 (146.1)	17 (431.8)	34 (863.6)	4.97 (126.24)	5.75 (146.05)	5 (127.00)	10 (254.00)	2.5 (63.50)	35 (889.00)	11 (279.40)		
EXB-123610 N34	2.09 (53.1)	7.75 (196.9)	17 (431.8)	34 (863.6)	5.97 (151.64)	7.75 (196.85)	5 (127.00)	10 (254.00)	2.5 (63.50)	35 (889.00)	11 (279.40)		
EXB-14146 N34	2.09 (53.1)	3.75 (95.3)	6 (152.4)	12 (304.8)	3.97 (100.84)	3.75 (95.25)	6 (152.40)	12 (304.80)	2.5 (63.50)	13 (330.20)	13 (330.20)		
EXB-14148 N34	2.09 (53.1)	5.75 (146.1)	6 (152.4)	12 (304.8)	4.97 (126.24)	5.75 (146.05)	6 (152.40)	12 (304.80)	2.5 (63.50)	13 (330.20)	13 (330.20)		
EXB-16166 N34	2.06 (53.1)	3.75 (95.3)	6.94 (176.3)	13.88 (352.6)	4.18 (106.17)	3.75 (95.25)	6.94 (176.28)	13.88 (352.55)	2.5 (63.50)	14 (355.60)	14 (355.60)		
EXB-16168 N34	2.06 (53.1)	5.75 (146.1)	6.94 (176.3)	13.88 (352.6)	5.18 (131.57)	5.75 (146.05)	6.94 (176.28)	13.88 (352.55)	2.5 (63.50)	14 (355.60)	14 (355.60)		
EXB-16248 N34	2.34 (59.4)	5.75 (146.1)	11 (279.4)	22 (558.8)	5.22 (132.59)	5.75 (146.05)	7 (177.80)	14 (355.60)	2.5 (63.50)	22 (558.80)	14 (355.60)		
EXB-162410 N34	2.34 (59.4)	7.75 (196.9)	11 (279.4)	22 (558.8)	6.22 (157.99)	7.75 (196.85)	7 (177.80)	14 (355.60)	2.5 (63.50)	22 (558.80)	14 (355.60)		
EXB-18186 N34	2.34 (59.4)	3.75 (95.3)	8 (203.2)	16 (406.4)	4.22 (107.19)	3.75 (95.25)	8 (203.20)	16 (406.40)	2.5 (63.50)	16 (406.40)	16 (406.40)		
EXB-18188 N34	2.34 (59.4)	5.75 (146.1)	8 (203.2)	16 (406.4)	5.22 (132.59)	5.75 (146.05)	8 (203.20)	16 (406.40)	2.5 (63.50)	16 (406.40)	16 (406.40)		
EXB-18248 N34	2.32 (58.9)	4.88 (124.0)	10.94 (277.9)	21.88 (555.8)	5.00 (127.00)	5.56 (141.22)	7.94 (201.68)	15.88 (403.35)	2.5 (63.50)	22 (558.80)	16 (406.40)		
EXB-182410 N34	2.32 (58.9)	6.88 (174.8)	10.94 (277.9)	21.88 (555.8)	6.00 (152.40)	8.56 (217.42)	7.94 (201.68)	15.88 (403.35)	2.5 (63.50)	22 (558.80)	16 (406.40)		
EXB-18308 N34	2.50 (63.5)	4.88 (124.0)	14.44 (366.8)	28.88 (733.6)	5.18 (131.57)	6.06 (153.92)	7.94 (201.68)	15.88 (403.35)	2.5 (63.50)	29 (736.60)	16 (406.40)		
EXB-18368 N34	2.50 (63.5)	4.88 (124.0)	16.94 (430.3)	33.88 (860.6)	5.18 (131.57)	6.06 (153.92)	7.94 (201.68)	15.88 (403.35)	2.5 (63.50)	34 (863.60)	16 (406.40)		
EXB-183610 N34	2.50 (63.5)	6.88 (174.8)	16.94 (430.3)	33.88 (860.6)	6.18 (156.97)	8.06 (204.72)	7.94 (201.68)	15.88 (403.35)	2.5 (63.50)	34 (863.60)	16 (406.40)		
EXB-203611 N34	2.47 (62.7)	8.44 (214.4)	16.72 (424.7)	33.97 (862.8)	6.88 (174.75)	8.47 (215.14)	8.72 (221.49)	17.47 (443.74)	2.5 (63.50)	34.88 (885.95)	18.88 (479.55)		
EXB-24248 N34	2.88 (73.2)	5.50 (139.7)	10.88 (276.4)	21.88 (555.8)	5.88 (149.35)	5.50 (139.70)	10.94 (277.88)	21.88 (555.75)	2.5 (63.50)	22 (558.80)	22 (558.80)		
EXB-242410 N34	2.88 (73.2)	7.50 (190.5)	10.88 (276.4)	21.88 (555.8)	6.88 (174.75)	7.50 (190.50)	10.94 (277.88)	21.88 (555.75)	2.5 (63.50)	22 (558.80)	22 (558.80)		
EXB-24308 N34	2.47 (62.7)	5.75 (146.1)	14 (355.6)	28 (711.2)	5.35 (135.89)	5.75 (146.05)	11 (279.40)	22 (558.80)	3.0 (76.20)	28 (711.20)	22 (558.80)		
EXB-24368 N34	2.47 (62.7)	5.75 (146.1)	17 (431.8)	34 (863.6)	5.35 (135.89)	5.75 (146.05)	11 (279.40)	22 (558.80)	3.0 (76.20)	34 (863.60)	22 (558.80)		
EXB-243610 N34	2.47 (62.7)	7.75 (196.9)	17 (431.8)	34 (863.6)	6.35 (161.29)	7.75 (196.85)	11 (279.40)	22 (558.80)	3.0 (76.20)	34 (863.60)	22 (558.80)		

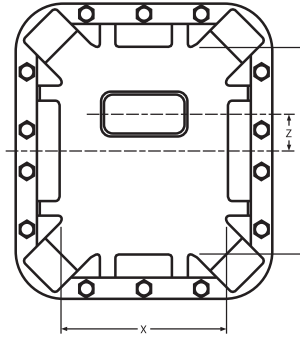
Full dimensional details are available on .DFX or .DWG format. See KILLARK web-site.



* Mounting lug opening 7/16" for boxes up to and including 8128 and 9/16" for boxes 10 x 10 and larger



GLASS LENS COVER



FEATURES-SPECIFICATIONS

GLXR LAYOUT GUIDE

CATALOG NUMBER	USEABLE COVER AREA		Z = MAXIMUM CENTER LINE OF COVER TO CENTERLINE OF GLASS LENS							
	X	Y	GLXR13	GLXR24	GLXR27	GLXR34	GLXR36	GLXR47	GLXR59	GLXR99
EXB-664 N34	5 (127.0)	5 (127.0)	N	N	N	N	N	N	N	N
EXB-684 N34	5 (127.0)	7 (177.8)	1.25 (31.8)	N	N	N	N	N	N	N
EXB-6124 N34	5 (127.0)	11 (279.4)	3.25 (82.6)	R	N	N	N	N	N	N
EXB-886 N34	7 (177.8)	7 (177.8)	1.25 (31.8)	0.75 (19.1)	N	N	N	N	N	N
EXB-8104 N34	7 (177.8)	9 (228.6)	2.25 (57.2)	1.75 (44.5)	N	1 (25.4)	N	N	N	N
EXB-8106 N34	7 (177.8)	9 (228.6)	2.25 (57.2)	1.75 (44.5)	N	1 (25.4)	N	N	N	N
EXB-8126 N34	7 (177.8)	11 (279.4)	3.25 (82.6)	2.75 (69.9)	R*	2 (50.8)	R*	N	N	N
EXB-8128 N34	7 (177.8)	11 (279.4)	3.25 (82.6)	2.75 (69.9)	R*	2 (50.8)	R*	N	N	N
EXB-10106 N34	9 (228.6)	9 (228.6)	2.25 (57.2)	1.75 (44.5)	N	1 (25.4)	N	N	N	N
EXB-10108 N34	9 (228.6)	9 (228.6)	2.25 (57.2)	1.75 (44.5)	N	1 (25.4)	N	N	N	N
EXB-10146 N34	9 (228.6)	13 (330.2)	4.25 (108.0)	3.75 (95.3)	R	3 (76.2)	R	R	R	N
EXB-10148 N34	9 (228.6)	13 (330.2)	4.25 (108.0)	3.75 (95.3)	R	3 (76.2)	R	R	R	N
EXB-12126 N34	10 (254.0)	10 (254.0)	2.75 (69.9)	2.25 (57.2)	2.25 (57.2)	1.5 (38.1)	1.75 (44.5)	1.25 (31.8)	N	N
EXB-12128 N34	10 (254.0)	10 (254.0)	2.75 (69.9)	2.25 (57.2)	2.25 (57.2)	1.5 (38.1)	1.75 (44.5)	1.25 (31.8)	N	N
EXB-12186 N34	10 (254.0)	16 (406.4)	5.75 (146.1)	5.25 (133.4)	5.25 (133.4)	4.5 (114.3)	4.75 (120.7)	4.25 (108.0)	R*	N
EXB-12188 N34	10 (254.0)	16 (406.4)	5.75 (146.1)	5.25 (133.4)	5.25 (133.4)	4.5 (114.3)	4.75 (120.7)	4.25 (108.0)	R*	N
EXB-12246 N34	10.25 (260.4)	22.25 (565.2)	8.88 (225.6)	8.38 (212.9)	8.38 (212.9)	7.63 (193.8)	7.88 (200.2)	7.38 (187.5)	R	N
EXB-12248 N34	10.25 (260.4)	22.25 (565.2)	8.88 (225.6)	8.38 (212.9)	8.38 (212.9)	7.63 (193.8)	7.88 (200.2)	7.38 (187.5)	R	N
EXB-122412 N34	10.25 (260.4)	22.25 (565.2)	8.88 (225.6)	8.38 (212.9)	8.38 (212.9)	7.63 (193.8)	7.88 (200.2)	7.38 (187.5)	R	N
EXB-12368 N34	11 (279.4)	35 (889.0)	15.25 (387.4)	14.75 (374.7)	14.75 (374.7)	14 (355.6)	14.25 (362.0)	13.75 (349.3)	R*	N
EXB-123610 N34	11 (279.4)	35 (889.0)	15.25 (387.4)	14.75 (374.7)	14.75 (374.7)	14 (355.6)	14.25 (362.0)	13.75 (349.3)	R*	N
EXB-14146 N34	13 (330.2)	13 (330.2)	4.25 (108.0)	3.75 (95.3)	3.75 (95.3)	3 (76.2)	3.25 (82.6)	2.75 (69.9)	2.25 (57.2)	*
EXB-14148 N34	13 (330.2)	13 (330.2)	4.25 (108.0)	3.75 (95.3)	3.75 (95.3)	3 (76.2)	3.25 (82.6)	2.75 (69.9)	2.25 (57.2)	*
EXB-16166 N34	14 (355.6)	14 (355.6)	4.75 (120.7)	4.25 (108.0)	4.25 (108.0)	3.5 (88.9)	3.75 (95.3)	3.25 (82.6)	2.75 (69.9)	0.75 (19.1)
EXB-16168 N34	14 (355.6)	14 (355.6)	4.75 (120.7)	4.25 (108.0)	4.25 (108.0)	3.5 (88.9)	3.75 (95.3)	3.25 (82.6)	2.75 (69.9)	0.75 (19.1)
EXB-16248 N34	14 (355.6)	22 (558.8)	8.75 (222.3)	8.25 (209.6)	8.25 (209.6)	7.5 (190.5)	7.75 (196.9)	7.25 (184.2)	6.75 (171.5)	4.75 (120.7)
EXB-162410 N34	14 (355.6)	22 (558.8)	8.75 (222.3)	8.25 (209.6)	8.25 (209.6)	7.5 (190.5)	7.75 (196.9)	7.25 (184.2)	6.75 (171.5)	4.75 (120.7)
EXB-18186 N34	16 (406.4)	16 (406.4)	5.75 (146.1)	5.25 (133.4)	5.25 (133.4)	4.5 (114.3)	4.75 (120.7)	4.25 (108.0)	3.75 (95.3)	1.75 (44.5)
EXB-18188 N34	16 (406.4)	16 (406.4)	5.75 (146.1)	5.25 (133.4)	5.25 (133.4)	4.5 (114.3)	4.75 (120.7)	4.25 (108.0)	3.75 (95.3)	1.75 (44.5)
EXB-18248 N34	16 (406.4)	22 (558.8)	8.75 (222.3)	8.25 (209.6)	8.25 (209.6)	7.5 (190.5)	7.75 (196.9)	7.25 (184.2)	6.75 (171.5)	4.75 (120.7)
EXB-182410 N34	16 (406.4)	22 (558.8)	8.75 (222.3)	8.25 (209.6)	8.25 (209.6)	7.5 (190.5)	7.75 (196.9)	7.25 (184.2)	6.75 (171.5)	4.75 (120.7)
EXB-18308 N34	16 (406.4)	29 (736.6)	12.25 (311.2)	11.75 (298.5)	11.75 (298.5)	10 (254.0)	11.25 (285.8)	9.75 (247.7)	9.25 (235.0)	8.25 (209.6)
EXB-18368 N34	16 (406.4)	34 (863.6)	14.75 (374.7)	14.25 (362.0)	14.25 (362.0)	12.25 (311.2)	13.75 (349.3)	12.25 (311.2)	11.75 (298.5)	10.75 (273.1)
EXB-183610 N34	16 (406.4)	34 (863.6)	14.75 (374.7)	14.25 (362.0)	14.25 (362.0)	12.25 (311.2)	13.75 (349.3)	12.25 (311.2)	11.75 (298.5)	10.75 (273.1)
EXB-203611 N34	18.88 (479.6)	34.88 (886.0)	15.18 (385.6)	14.68 (372.9)	14.68 (372.9)	13.93 (353.8)	14.18 (360.2)	13.68 (347.5)	13.18 (334.8)	11.18 (284.0)
EXB-24248 N34	22 (558.8)	22 (558.8)	8.75 (222.3)	8.25 (209.6)	8.25 (209.6)	7.5 (190.5)	7.25 (184.2)	7.25 (184.2)	6.75 (171.5)	4.75 (120.7)
EXB-242410 N34	22 (558.8)	22 (558.8)	8.75 (222.3)	8.25 (209.6)	8.25 (209.6)	7.5 (190.5)	7.25 (184.2)	7.25 (184.2)	6.75 (171.5)	4.75 (120.7)
EXB-24308 N34	22 (558.8)	28 (711.2)	11.75 (298.5)	11.25 (285.8)	11.25 (285.8)	9.5 (241.3)	10.75 (273.1)	9.25 (235.0)	9.75 (247.7)	7.75 (196.9)
EXB-24368 N34	22 (558.8)	34 (863.6)	14.75 (374.7)	14.25 (362.0)	14.25 (362.0)	12.5 (317.5)	13.75 (349.3)	13.25 (336.6)	12.75 (323.9)	10.75 (273.1)
EXB-243610 N34	22 (558.8)	34 (863.6)	14.75 (374.7)	14.25 (362.0)	14.25 (362.0)	12.5 (317.5)	13.75 (349.3)	13.25 (336.6)	12.75 (323.9)	10.75 (273.1)

Symbols: N = Enclosure will not accommodate this lens size
 R = Rotate lens 90°, consult factory for layout assistance

* = Voids UL/CSA/CENELEC certifications
 * = Indicates center line