

THERMOBILE INDUSTRIES

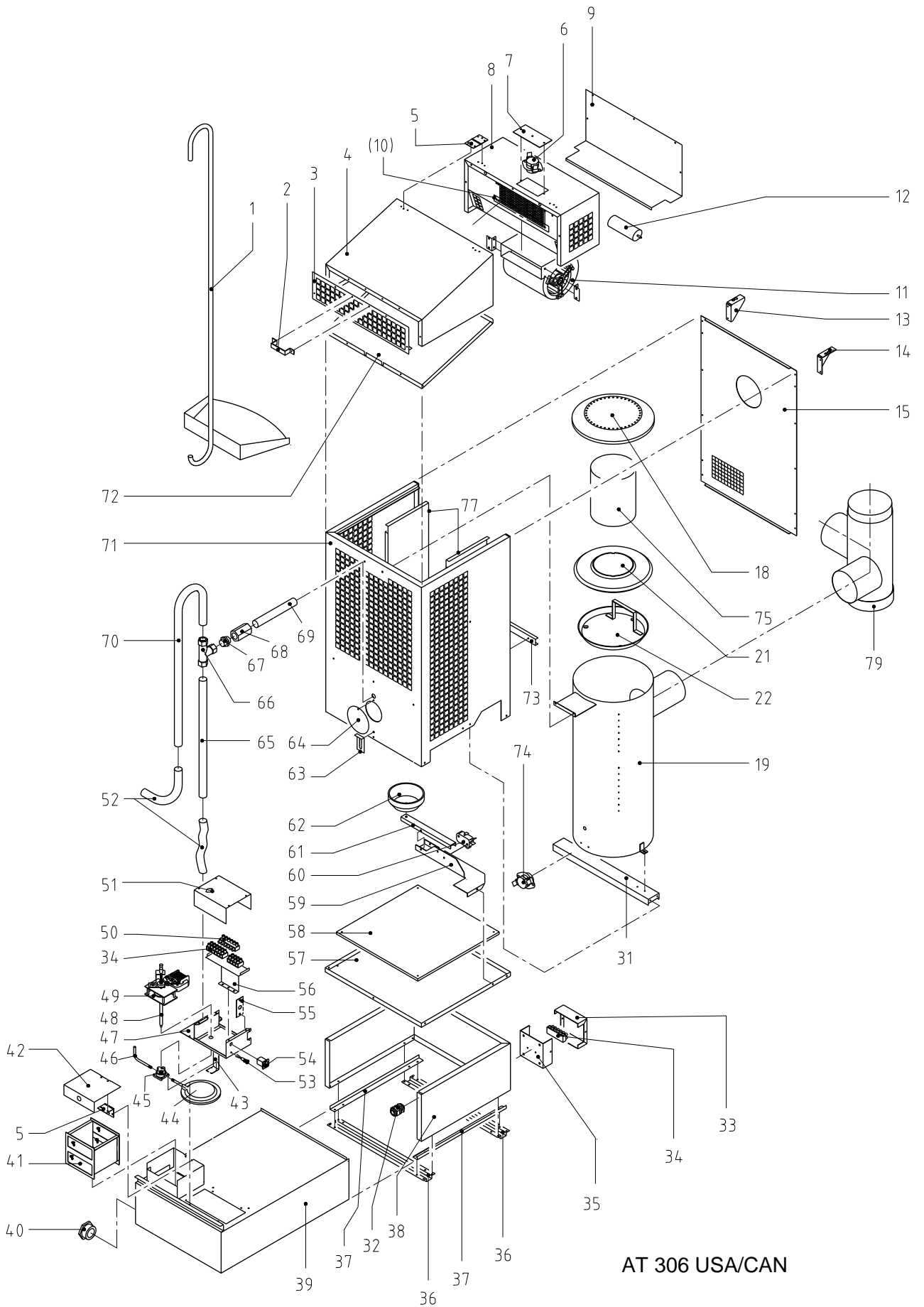


Spare parts AT 306/307
USA/CAN

Thermobile Industries BV +31(0)76 587 34 50
Fax +31 (0)76 587 27 89 info@thermobile.nl www.thermobile.com

THERMOBILE INDUSTRIES

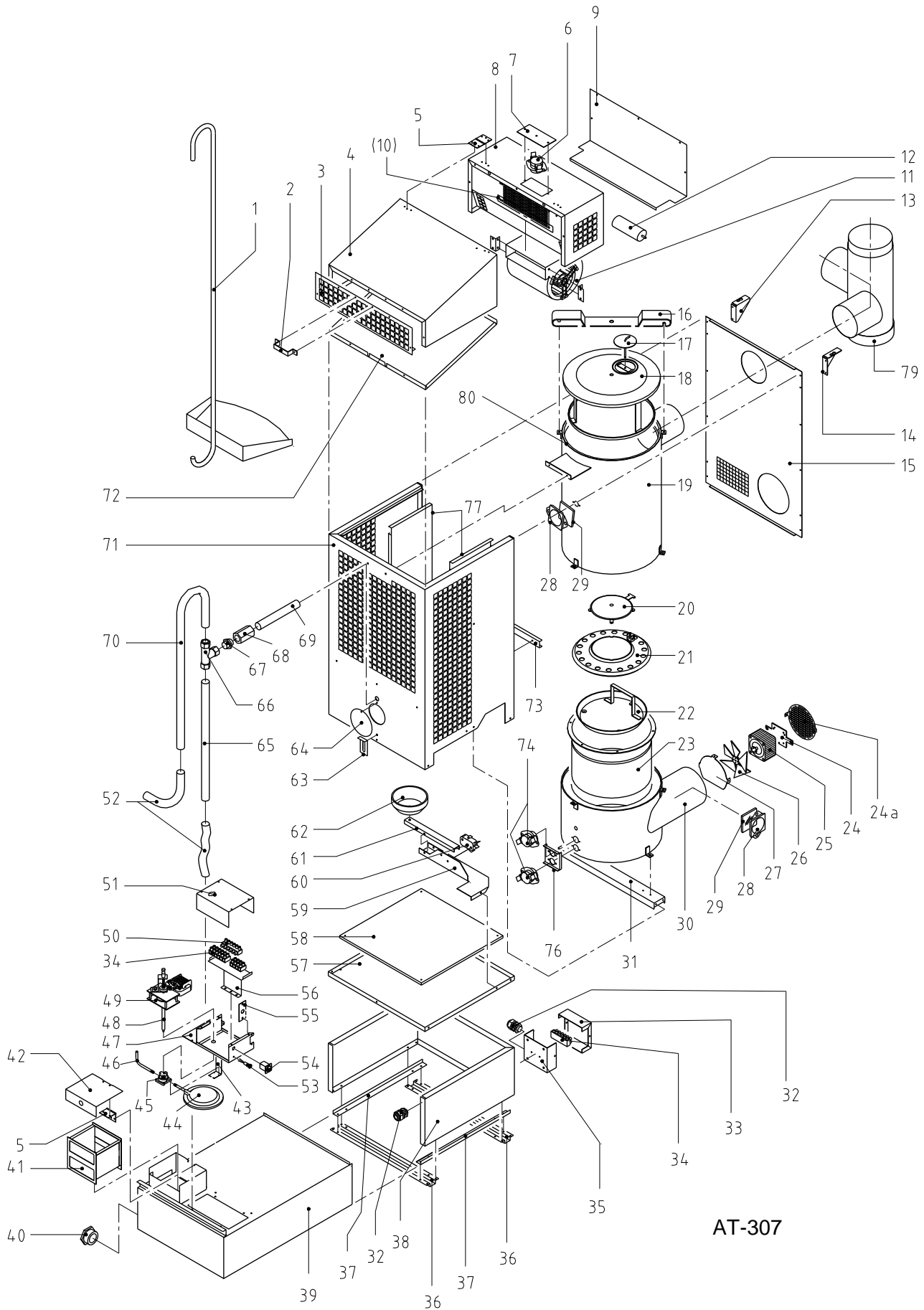
AT-306



AT 306 USA/CAN

THERMOBILE INDUSTRIES

AT-307



AT-307

THERMOBILE INDUSTRIES

Pos.	AT 306	AT 307	English
1	41.900.606	41.900.606	SHOVEL
2	46.100.308	46.100.308	LEVER
3	41.904.081_8957/02	41.904.081_8957/02	GRILLE
4	41.904.080_6365	41.904.080_6365	HEAT DISTRIBUTOR
5	41.900.937	41.900.937	HINGE
6	41.000.206	41.000.206	LIMIT THERMOSTAT
7	41.904.096_8957/04	41.904.096_8957/04	COVER PLATE
8	41.904.099_8957	41.904.099_8957	FAN BOX
9	41.904.103_8957	41.904.103_8957	BACK PLATE
11	41.906.089	41.906.089	FAN MOTOR
12	41.728.099	41.728.099	CAPACITOR 30 µF 450V
13	41.904.088_8957	41.904.088_8957	SUPPORT LEFT
14	41.904.089_8957	41.904.089_8957	SUPPORT RIGHT
15	41.905.003/06	41.906.045/06	BACK PLATE
16		41.900.736_8957	SEALING COVER
17		41.910.268/01	EXPLOSION COVER
18	41.900.512	41.900.730	COVER COMBUSTION CHAMBER
19	41.904.074/04	41.906.034/03	COMBUSTION CHAMBER
20		41.900.975	HEAT SHIELD
21a	41.900.597		UPPER RING
21	41.900.519	41.900.974/01	BURNER RING
22	41.900.521	41.900.521	COMBUSTION DISH
23		41.906.126/02	VAPORIZING SECTION
24		41.906.005_8957/01	MOTOR BRACKET
24a		41.921.020_8957/01	PROTECTION GRILLE
25		41.906.210	MOTOR
26		41.900.804	COMBUSTION FAN
27		41.906.043	RADIATION SHIELD
28		41.900.773	GLASSHOLDER
29		41.900.776	INSPECTION WINDOW
30		41.906.127_8957/01	CIRCULATION BOX
31	41.904.045	41.904.045	COMBUSTIONCHAMBER SUPPORT
32	40.503.006	40.503.006	CABLE INLET GLAND
32a	40.202.098	40.202.098	NUT
33	41.904.217	41.904.217	UPPER SECTION
34	40.506.806	40.506.806	CROWN STRIP (FEM)
35	41.904.216	41.904.216	BASE
36	41.904.018	41.904.018	U PROFILE
37	41.906.019	41.906.019	CORNER PIECE
38	41.906.211_6365/01	41.906.211_6365/01	CONSOLE
39	41.906.006_8957/03	41.906.006_8957/03	FUEL TANK

THERMOBILE INDUSTRIES

Pos.	AT 306	AT 307	English
40	41.900.936	41.900.936	DRAIN TAP
40a	41.900.955	41.900.955	KEY
41	41.904.090	41.904.090	FUEL TANK FILTER
42	41.904.028_8957	41.904.028_8957	COVER
43	41.904.030	41.904.030	PUMP SUPPORT
44	41.900.609	41.900.609	FUEL FILTER
45	41.900.591	41.900.591	FUEL PUMP
46	41.900.605	41.900.605	PIPE
47	41.904.220_8957/01	41.904.220_8957/01	CONTROL PANEL
48	41.904.052	41.904.052	DRIVE SHAFT
48a	40.502.000	40.502.000	SPLIT
49	41.900.657	41.900.657	PUMP MOTOR
50	40.506.807	40.506.807	CROWN STRIP(MALE)
51	41.904.219_6365	41.904.219_6365	COVER
52	41.904.064	41.904.064	FUEL SUPPLY HOSE
53	41.900.654	41.900.654	PILOT LIGHT
54	40.507.025	40.507.025	SWITCH PLATE
55	41.906.030_8957	41.906.030_8957	PLATE
56	41.904.223	41.904.223	CROWN STRIP BRACKET
57	41.906.020_8957	41.906.020_8957	FUEL COLLECTOR
58	41.906.021	41.906.021	HEAT DEFLECTOR
59	41.906.071	41.906.071	BRACKET
60	41.910.004	41.910.004	SWITCH
61	41.906.061	41.906.061	BRACKET
62	41.910.185	41.910.185	OVERFLOW CUP
63	41.904.032_8957	41.904.032_8957	LOCKING
64	41.900.570_8957/01	41.900.570_8957/01	COVER PLATE
65	41.904.053	41.904.053	DOSING PIPE
66	41.900.676	41.900.676	3 WAY T-CONNECTOR
67	40.406.007	40.406.007	HOSE COUPLING
68	41.904.055	41.904.055	SOCKET COUPLING BOX
69	41.906.010	41.906.010	DRIP FEED PIPE
70	41.904.054	41.904.054	RETURNN PIPE
71	41.906.016_8957/10	41.906.016_8957/10	JACKET
72	41.904.082/01	41.904.082/01	COOLING PLATE
73	41.904.061	41.904.061	BRACKET
74	40.000.167	40.000.167	THERMOSTAT
75	41.900.513/02		AFTER-BURNING CYLINDER
76	40.000.166/03	41.906.131	THERMOSTAT BRACKET
77	41.905.018/01	41.905.018/01	COOLING PLATE
78	40.503.013	40.503.013	CABLE INLET GLAND
79	41.904.240	41.904.240	T-PIECE WITH DRAFT REGULATOR
80		41.900.805	SEALING CORD
81	41.905.002_8957		TOP PLATE

THERMOBILE INDUSTRIES

Pos.	AT 306	AT 307	Francais
1	41.900.606	41.900.606	PELLE
2	46.100.308	46.100.308	LEVIER
3	41.904.081_8957/02	41.904.081_8957/02	GRILLE
4	41.904.080_6365	41.904.080_6365	THERMODIFFUSEUR
5	41.900.937	41.900.937	CHARNIÈRE
6	41.000.206	41.000.206	MAXIMAL THERMOSTAT
7	41.904.096_8957/04	41.904.096_8957/04	TÔLE A RECOUVER
8	41.904.099_8957	41.904.099_8957	LOGEMENT DE VENTILATEUR
9	41.904.103_8957	41.904.103_8957	PAROI ARRIERE
11	41.906.089	41.906.089	RADIAL VENTILATEUR
12	41.728.099	41.728.099	CONDENSATEUR 30 µF 450V
13	41.904.088_8957	41.904.088_8957	SUPPORT A GAUCHE
14	41.904.089_8957	41.904.089_8957	SUPPORT A DROITE
15	41.905.003/06	41.906.045/06	SUPPORT DE CHAMBRE DE COMBUSTION
16		41.900.736_8957	FERMETURE DE COUVERCLE
17		41.910.268/01	COUVERCLE D EXPLOSION
18	41.900.512	41.900.730	COUVERCLE CHAMBRE DE COMBUST.
19	41.904.074/04	41.906.034/03	CHAMBRE DE COMBUSTION
20		41.900.975	PLAQUE DE CHALEUR
21	41.900.597		ANNEAU SUPERIEUR
21a	41.900.519	41.900.974/01	ANNEAU DE BRULEUR
22	41.900.521	41.900.521	COUPELLE DE COMBUSTION
23		41.906.126	FOYER A EVAPORATION
24		41.906.005_8957/01	MOTEUR COLLIER
24a		41.921.020_8957/01	GRILLE
25		41.906.210	MOTEUR
26		41.900.804	VENTILATEUR
27		41.906.043	PLAQUE DE RADIATION
28		41.900.773	FIXATEUR DU VERRE
29		41.900.776	FENETRE D INSPECTION
30		41.906.127_8957/01	BOITE A CIRCULATION
31	41.904.045	41.904.045	SUP. CHAMBRE DE COMBUSTION
32	40.503.006	40.503.006	GUIDE POUR CABLE
32a	40.202.098	40.202.098	ECROU
33	41.904.217	41.904.217	PARTIE SUPERIEURE
34	40.506.806	40.506.806	PRISE (FEM)
35	41.904.216	41.904.216	BASE
36	41.904.018	41.904.018	U PROFIL
37	41.906.019	41.906.019	PIECE D ANGLE
38	41.906.211_6365/01	41.906.211_6365/01	CONSOLE
39	41.906.006_8957/03	41.906.006_8957/03	RESERVOIR DE FIOUL
40	41.900.936	41.900.936	VANNE DE VIDANGE
40a	41.900.955	41.900.955	CLAY
41	41.904.090	41.904.090	FILTER DE FIOUL

THERMOBILE INDUSTRIES

Pos.	AT 306	AT 307	Francais
42	41.904.028_8957	41.904.028_8957	SOUPAPE
43	41.904.030	41.904.030	ANNEAU POUR POMPE
44	41.900.609	41.900.609	FILTRE DE FIOUL
45	41.900.591	41.900.591	POMPE A FIOUL
46	41.900.605	41.900.605	TUYAU
47	41.904.220_8957/01	41.904.220_8957/01	PANNEAU DE COMMANDE
48	41.904.052	41.904.052	ARBRE D ACTIONNEMENT
48a	40.502.000	40.502.000	GOUPILLE
49	41.900.657	41.900.657	MOTEUR DE POMPE
50	40.506.807	40.506.807	PRISE(MAL)
51	41.904.219_6365	41.904.219_6365	COUVERCLE
52	41.904.064	41.904.064	TUYAU D ARRIVEE DE FIOUL
53	41.900.654	41.900.654	LAMPE TEMOIN
54	40.507.025	40.507.025	INTERRUPTEUR
55	41.906.030_8957	41.906.030_8957	PLAQUE DE TRAVERSEE
56	41.904.223	41.904.223	BANDE A COURRONNE
57	41.906.020_8957	41.906.020_8957	BAC DE RECUPERATION
58	41.906.021	41.906.021	LAME DE REFROIDISSEMENT
59	41.906.071	41.906.071	COLLIER
60	41.910.004	41.910.004	INTERRUPTEUR
61	41.906.061	41.906.061	COLLIER
62	41.910.185	41.910.185	GOBELET DE TROP PLEIN
63	41.904.032_8957	41.904.032_8957	BLOCKAGE
64	41.900.570_8957/01	41.900.570_8957/01	TOLE A RECOUVRIR
65	41.904.053	41.904.053	PIPE DE FIOUL
66	41.900.676	41.900.676	ACCOUPEMENT 3 SORTIES
67	40.406.007	40.406.007	ACCOUPEMENT A BOYAUX
68	41.904.055	41.904.055	MACHON D`ACOUPEMENT
69	41.906.010	41.906.010	TUYAU
70	41.904.054	41.904.054	TUYAU DE RETOUR
71	41.906.016_8957/10	41.906.016_8957/10	CARROSSERIE
72	41.904.082/01	41.904.082/01	AILLETTE
73	41.904.061	41.904.061	COLLIER
74	40.000.167	40.000.167	THERMOSTAT
75	41.900.513/02	41.900.513	CYLINDRE DE COMBUSTION
76	40.000.166/03	41.906.131	COLLIER THERMOSTAT
77	41.905.018/01	41.905.018	AILLETTE
78	40.503.013	40.503.013	GUIDE POUR CABLE
79	41.900.680	41.900.680	T-PIECE
80		41.900.805	CORDON ETANCHEITE
81	41.905.002_8957		AILLETTE

THERMOBILE INDUSTRIES

