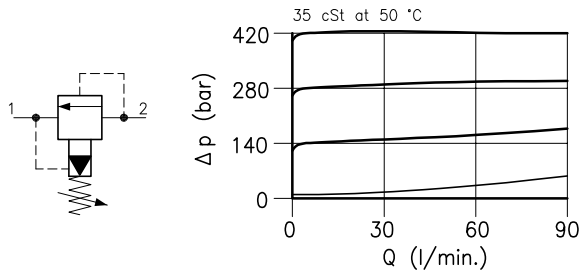
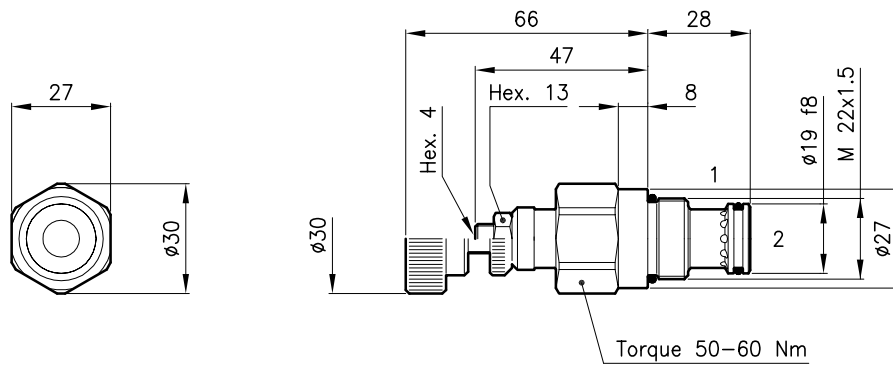


**Technical features**



Cavity (For dimensions see catalogue 17.000)	S 30/2
Max. flow (l/min.)	90
Max. inlet pressure (bar)	420
Max. pressure on line 1 (bar)	210
Fluid viscosity range (cSt)	2.8 - 380
Fluid temperature range (°C)	-20 +80
Max. leakage (cm <sup>3</sup> /min.)	25
Mass (kg)	0.180
Cracking pressure 95% of setting value	
Reseat pressure 85% of setting value	
Cracking pressure defined with 1 l/min.	
Standard setting obtained with 10 l/min.	
Hydraulic fluid; mineral oil HM and HV ISO 6074	
Recommended filtration; 19/15 ISO 4466 (25 μ absolutes)	
Standard seals in Polyurethane and Buna N	

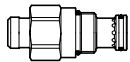
**Dimensions**



**Ordering informations**

**LPI 30/D-N**

**LPI 30** = Valve type

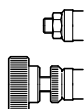


Standard springs

Type	Setting range	Factory set
<b>D</b>	= 14 - 210 bar	140 bar
<b>Q</b>	= 105 - 420 bar	315 bar

Adjustment type

- N** = Standard adjustment
- V** = Handknob adjustment



Codes:

LPI 30/D-N	31 011 101
LPI 30/Q-N	31 011 102
LPI 30/D-V	31 011 117
LPI 30/Q-V	31 011 118
External seals kit	90 620 103

LPI 30 valves can be assembled on standard bodies 30-LO series; for dimensions see catalogue 16.010