

# bobine e connettori 22 mm

22 mm coils and connectors



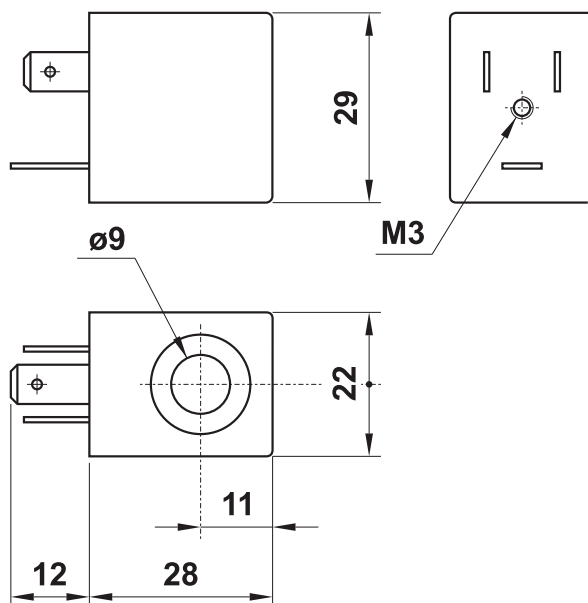
22 mm



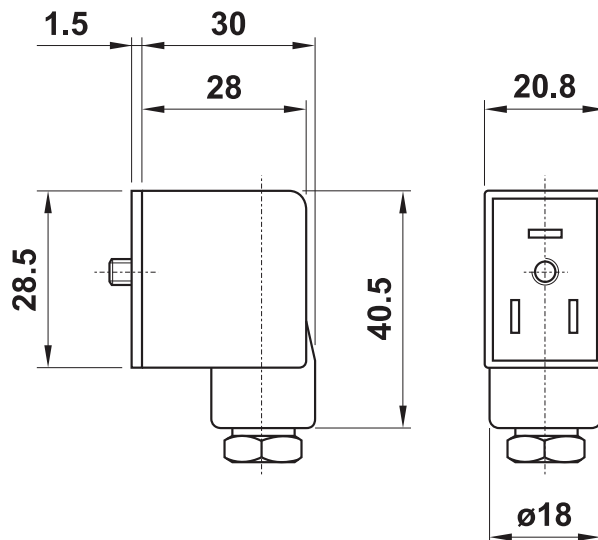
temperatura max di esercizio	+50°C	max working temperature
inserimento	ED 100%	duty cycle
protezione con connettore correttamente montato	IP 65	protection with connector correctly mounted
tolleranza di tensione	±10%	tension tolerance

- a richiesta basso assorbimento 1.5W  
low consumption (1.5W) on request

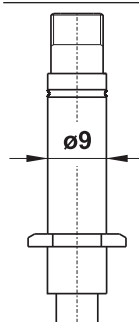
codice code	tensione tension	consumo - power	
		a regime rated	di spunto inrush
00.167.0	12V DC	3W	
00.028.0	24V DC	3W	
00.029.0	24V 50/60Hz	5VA	7.5VA
00.030.0	110V 50/60Hz	5VA	7.5VA
00.031.0	220V 50/60Hz	5VA	7.5VA



codice code	colore colour	cavo cable	tipo type
00.197.0	nero black	PG09	normale standard
00.344.0	trasparente transparent	PG09	con LED 24V with LED 24V
00.345.0	trasparente transparent	PG09	con LED 24V e VDR with LED 24V and VDR
00.346.0	trasparente transparent	PG09	con LED 115V with LED 115V
00.347.0	trasparente transparent	PG09	con LED 115V e VDR with LED 115V and VDR
00.394.0	trasparente transparent	PG09	con LED 230V with LED 230V
00.395.0	trasparente transparent	PG09	con LED 230V e VDR with LED 230V and VDR



## PEZZI DI RICAMBIO - spare parts



canotto per elettropilota  
armature for solenoid pilot

NC : 00.088.0  
NA (NO) : 00.306.0



ghiera in alluminio e rondella  
aluminium nut and elastic ring

00.125.2