

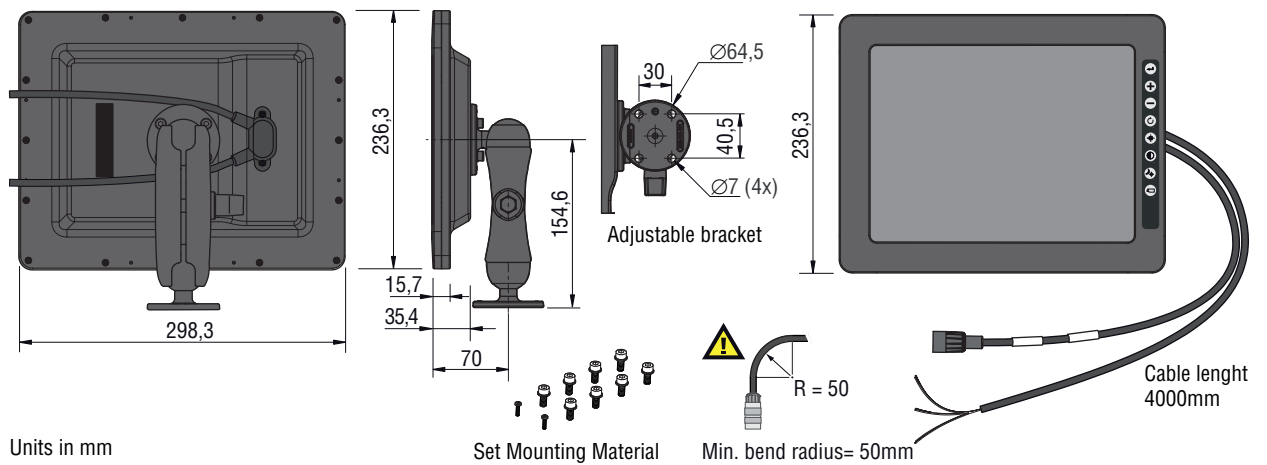
Vision is
our mission®

Set Monitor 12" RLED R4
Article no. 0411000
2017 • DS0962002 EN A 01

Product Data



Dimensions



TECHNICAL DATA

Set Monitor 12" RLED R4

Set Article number	Description 0411000
Monitor	Article No. 0207900 Monitor 12» RLED
Cable	Article No. 0304800 Cable Monitor 4 ow m4
Bracket	Article No. 2015600 Adjustable Bracket 190mm
Mounting material	Article No. 0910310 Set Mounting Material Adjustable Bracket
General	
Weight	2,81 kg, including cable and bracket.
Type	Automotive 12,1inch TFT-LCD module with a white LED backlight.
Resolution	XGA 1024 x R.G.B. x 768 pixels.
Viewing	80° horizontal and 70° vertical (@ CR≥10).
LED live time	30.000 Hrs.
Typical performance	Center luminance of white: 500cd/m2, Contrast ratio 700:1, Response time 5ms (Tr).
Software menu	Full On-Screen-Display (OSD) functionality in 12 languages: English, Dutch, German, French, Italian, Polish, Portuguese, Spanish, Swedish, Finnish, Danish and Norwegian.
ABC mode	Improved Auto Brightness Control (ABC) including one-touch day/night setting and adjustable minimum and maximum levels for automatic control.
Operating temperature	-40°C...+85°C.
Electrical	
Input voltage range	12...30V.
Power consumption	12W@24V.
Protection:	>30V overvoltage protection, <10V undervoltage protection, protected against load dumps, spikes and surges, reverse polarity on all wiring.
Power-output:	12V, for powering cameras and other peripherals. Output current 2A max.
Video input	1Vtt, 75Ω, Pal 50 Hz, 4,43MHz color sub carr. NTSC 60 Hz, 3,58MHz color sub carr.
Mechanical	
Surface	Hard coating (3H), with AG LR (Low Reflection) polarizer.
Housing	Color Black, material: aluminium & high impact automotive synthetic thermoplastic polymer.
Protection	IP67 according IEC60529. dust-tight and protected against the effects of temporary immersion in water up to 1 m under water for 30 minutes.
Temperature/humidity test	According IEC60068-2-1/2/3/14/30/38.
Certification	
Quality & environment	Units are manufactured by Orlaco in the Netherlands; ISO 9001: 2000, ISO14001: 2004.

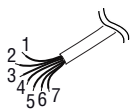
Each product is delivered with a User manual, Installation/System manual.

Installation See System Manual SM0973230.

Electrical connection

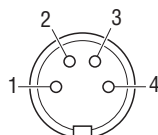
Connections to the monitor: (Secure the power input with a 5A fuse)

1 = Red	= Power input: 12...30V
2 = White	= Power input: 0V
3 = Blue	= Cam No. 1 activated at 12...30V
4 = Brown	= Cam No. 2 activated at 12...30V
5 = White/Yellow	= Cam No. 3 activated at 12...30V
6 = Grey	= Aux 1 activated at 12V...30V
7 = Yellow	= Aux 2 activated at 12V...30V
Shielding	= To GND



Front side molded 4p female connector:

1 = Coax core	= Video input
2 = Coax shielding	= Video 0V
3 = Red	= Power output: 12...30V
4 = Black	= Power output: 0V
Shielding	= To housing



All data subject to change without notice. All dimensions are for commercial purpose only.
The camera/display systems from Orlaco comply with the latest CE, ADR, EMC and mirror-directive regulations, where applicable.
All products are manufactured in accordance with the ISO 9001 quality management system, ISO/TS 16949 quality automotive, ISO 14001 environmental management systems and all Ex products with the IECEx scheme and ATEX directives, where applicable.

