

# STAINLESS STEEL DIRECT ACTING SOLENOID VALVE 2/2 SPU220 NF

## MAIN CHARACTERISTICS

The SPU 220 is a direct acting 2/2 solenoid valve in stainless steel. It's intended for the shut-off of the networks of aggressive fluids not in charge of. The standard construction is with stainless steel and diaphragm is FPM. Normally closed operating. This valve is operating with no minimum differential pressure. Assembly on horizontal piping, coil on the top.



## AVAILABLE MODELS

SPU220 : G 1/2" to G 3/4"

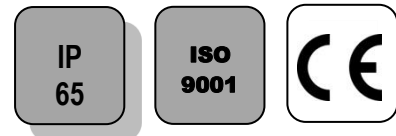
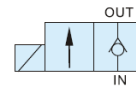
Diaphragm : FPM.

Voltages: See on page 3.

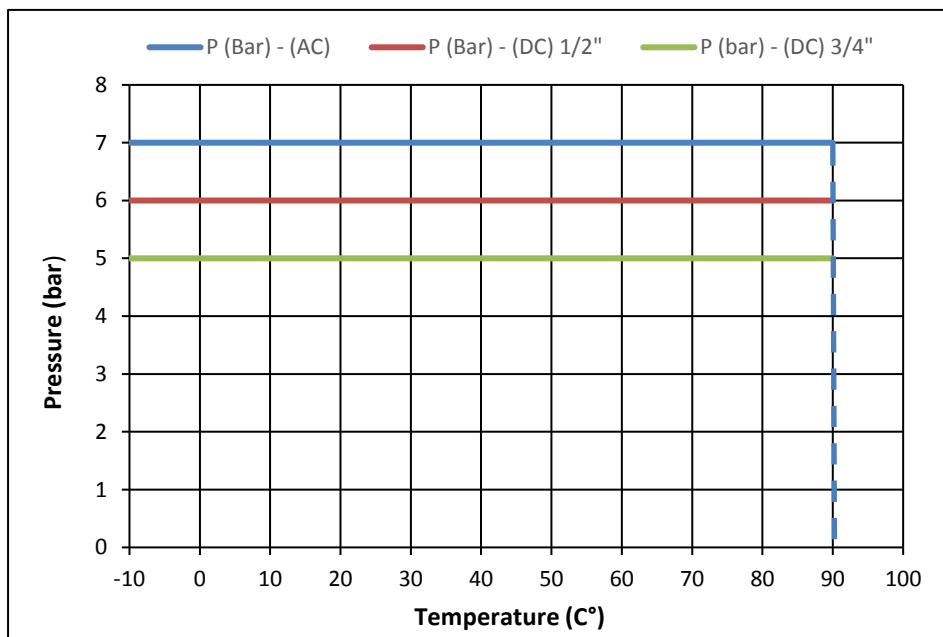
BSP Screwed end connections.

## LIMITS OF USE

<b>Electric protection</b>	IP 65	
<b>Max allowed fluid pressure : PS</b>	1/2"	3/4"
<b>Current AC Coil :</b>	7 (bar)	7 (bar)
<b>Current DC Coil :</b>	6 (bar)	5 (bar)
<b>Max allowed fluid temperature : TS</b>	-10°C / +90°C	
<b>Room temperature* :</b>	-20°C / +60°C	



\* In direct current, over 40°C, the maximum differential Pressure can be reduced.



Modifications reserved



SECTORIEL S.A.  
45 rue du Ruisseau  
38290 SAINT QUENTIN-FALLAVIER – FRANCE  
Tél : +33 4 74 94 90 70 – Fax : +33 4 74 94 13 95  
[www.sectoriel.fr](http://www.sectoriel.fr) / Email : [sectoriel@sectoriel.fr](mailto:sectoriel@sectoriel.fr)

Pages	1/4
Ref.	FT8100 ENG
Rev.	01
Date	02/2017

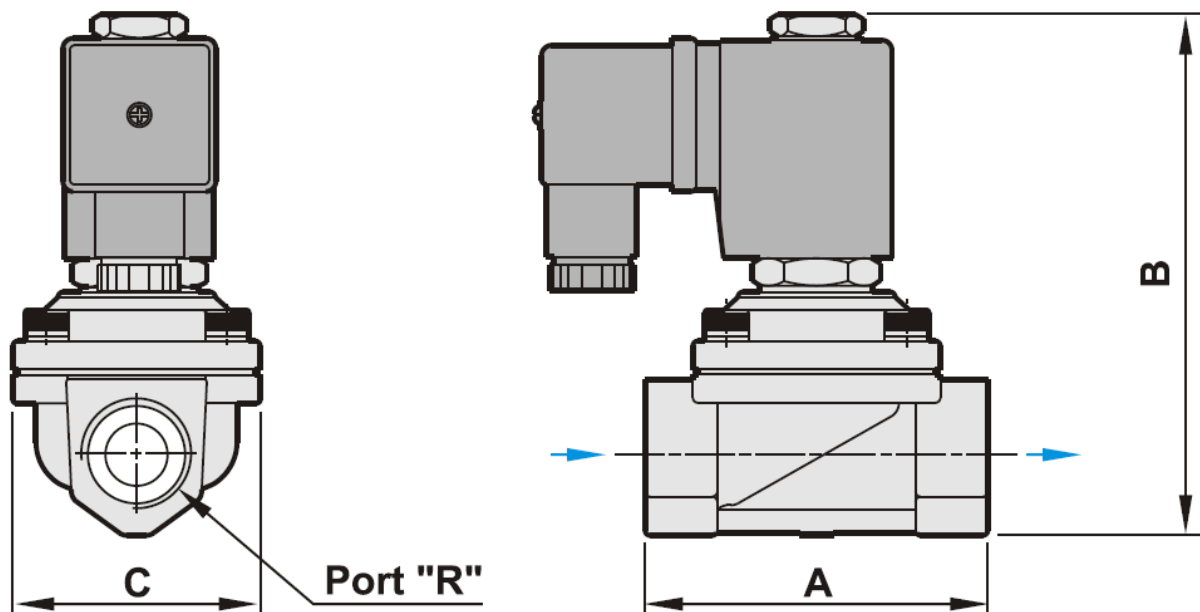
# STAINLESS STEEL DIRECT ACTING SOLENOID VALVE 2/2 SPU220 NF

## REGULATIONS AND STANDARD OF CONSTRUCTION

Item	Standard	Item	Standard
Pressure Equipment Directive 97/23	1/2" to 3/4": A3 § 3 excluded	Stainless steel materials	EN 1503-1
Low voltage directive CE 73/23	catégory I	BSP Thread	ISO 228
Connector	DIN 43650	Sizing	EN 12516-1

## DIMENSIONS (mm) AND WEIGHT (kg)


DN	A	B	C	Weight (Kg)
G 1/2"	66,5	101	48	0,66
G 3/4"	71	89	48	0,84



## HYDRAULICS CHARACTERISTICS

DN	Port (R) (mm)	Kv (m <sup>3</sup> /h)	Max Diff. AC. Pressure (bar)	Max Diff. DC. Pressure (bar)	Operating time (s)
G 1/2"	13	3,2	7	6	20-60 ms
G 3/4"	20	6,9	7	5	

Modifications reserved

	SECTORIEL S.A. 45 rue du Ruisseau 38290 SAINT QUENTIN-FALLAVIER – FRANCE Tél : +33 4 74 94 90 70 – Fax : +33 4 74 94 13 95 <a href="http://www.sectoriel.fr">www.sectoriel.fr</a> / Email : <a href="mailto:sectoriel@sectoriel.fr">sectoriel@sectoriel.fr</a>	Pages	2/4
		Ref.	FT8100 ENG
		Rev.	01
		Date	02/2017

# STAINLESS STEEL DIRECT ACTING SOLENOID VALVE 2/2 SPU220 NF

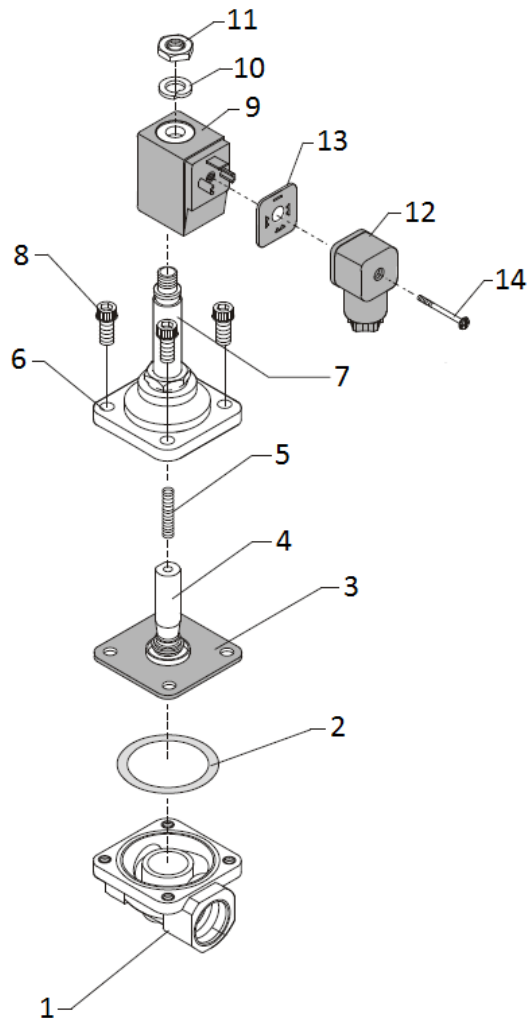
## ELECTRIC CHARACTERISTICS

Coil classified F. Duty 100%. Connecting by connector T30.

Coil	Current	Available voltages (V)				Frequency		Power consumption
		24	48	110	230	50 Hz	60 Hz	
	AC Coil	24	48	110	230	50 Hz	60 Hz	18,1 VA
	DC Coil	12	24					15 W

## CONSTRUCTION

N°	Item	Material
1	Body	Stainless steel 1.4408
2	Gasket	PTFE
3	Diaphragm	FPM
4	Plunger	Stainless steel 1.4301
5	Spring	Stainless steel
6	Cover	Stainless steel 1.4408
7	Tube guide	Stainless steel 1.4301
8	Screw	Stainless steel 1.4301
9	Coil	PBT +30 % GF
10	Washer	Zincated steel
11	Nut	Zincated steel
12	Connector	Plastic
13	Gasket	NBR
14	Screw	Stainless steel 1.4301



Modifications reserved



SECTORIEL S.A.  
 45 rue du Ruisseau  
 38290 SAINT QUENTIN-FALLAVIER – FRANCE  
 Tél : +33 4 74 94 90 70 – Fax : +33 4 74 94 13 95  
[www.sectoriel.fr](http://www.sectoriel.fr) / Email : sectoriel@sectoriel.fr

Pages	3/4
Ref.	FT8100 ENG
Rev.	01
Date	02/2017

# STAINLESS STEEL DIRECT ACTING SOLENOID VALVE 2/2 SPU220 NF

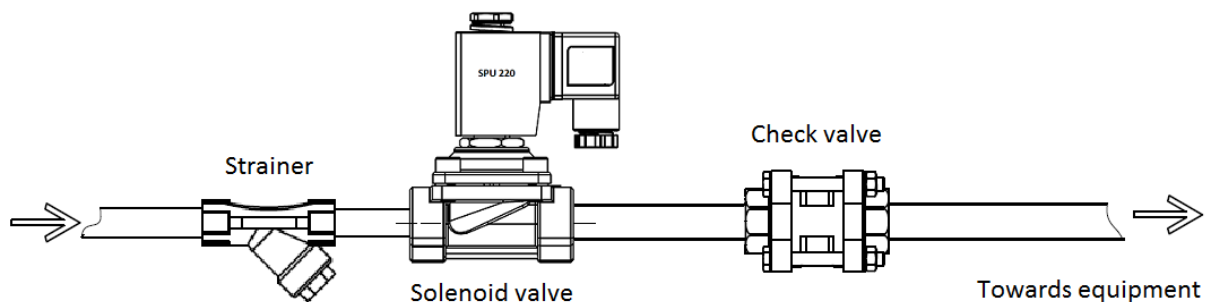
## MOUNTING

Installation in every position except horizontal pipe with coil towards the bottom.  
Respect the sense of flow indicated by the arrow marked on the body.  
For an use on liquids, the installation of a strainer for upstream protection is recommended.

### Check-valve :

A solenoid valve cannot be used as a check-valve. A de-energized normally closed solenoid valve can be crossed by a downstream counterflow. If a both side tightness is required, please add a check-valve downstream of the solenoid valve.

### Example



### Scaling :

A solenoid valve used on hard water and kept energized during long period can face scaling problem that can block the operation. For this kind of application, please consult.



Conform also to the assembly instructions supplied with the solenoid valve.

## SPARE PARTS

Coil (item 9)							Connector
Voltage	230V 50/60Hz	24V 50/60Hz	48V 50/60Hz	110V 50/60Hz	12V cc	24V cc	T30
Code	980550	980551	980553	980554	980556	980552	980696
Diaphragm (item 3)							
DN	1/2"			3/4"			
FPM	980580			980581			

## OPTION

Diaphragm : EPDM  
NPT thread according to ANSI B1.20  
ATEX type (SPU 220X)

Modifications reserved

	SECTORIEL S.A. 45 rue du Ruisseau 38290 SAINT QUENTIN-FALLAVIER – FRANCE Tél : +33 4 74 94 90 70 – Fax : +33 4 74 94 13 95 <a href="http://www.sectoriel.fr">www.sectoriel.fr</a> / Email : <a href="mailto:sectoriel@sectoriel.fr">sectoriel@sectoriel.fr</a>	Pages	4/4
	Ref.	FT8100 ENG	
	Rev.	01	
	Date	02/2017	