

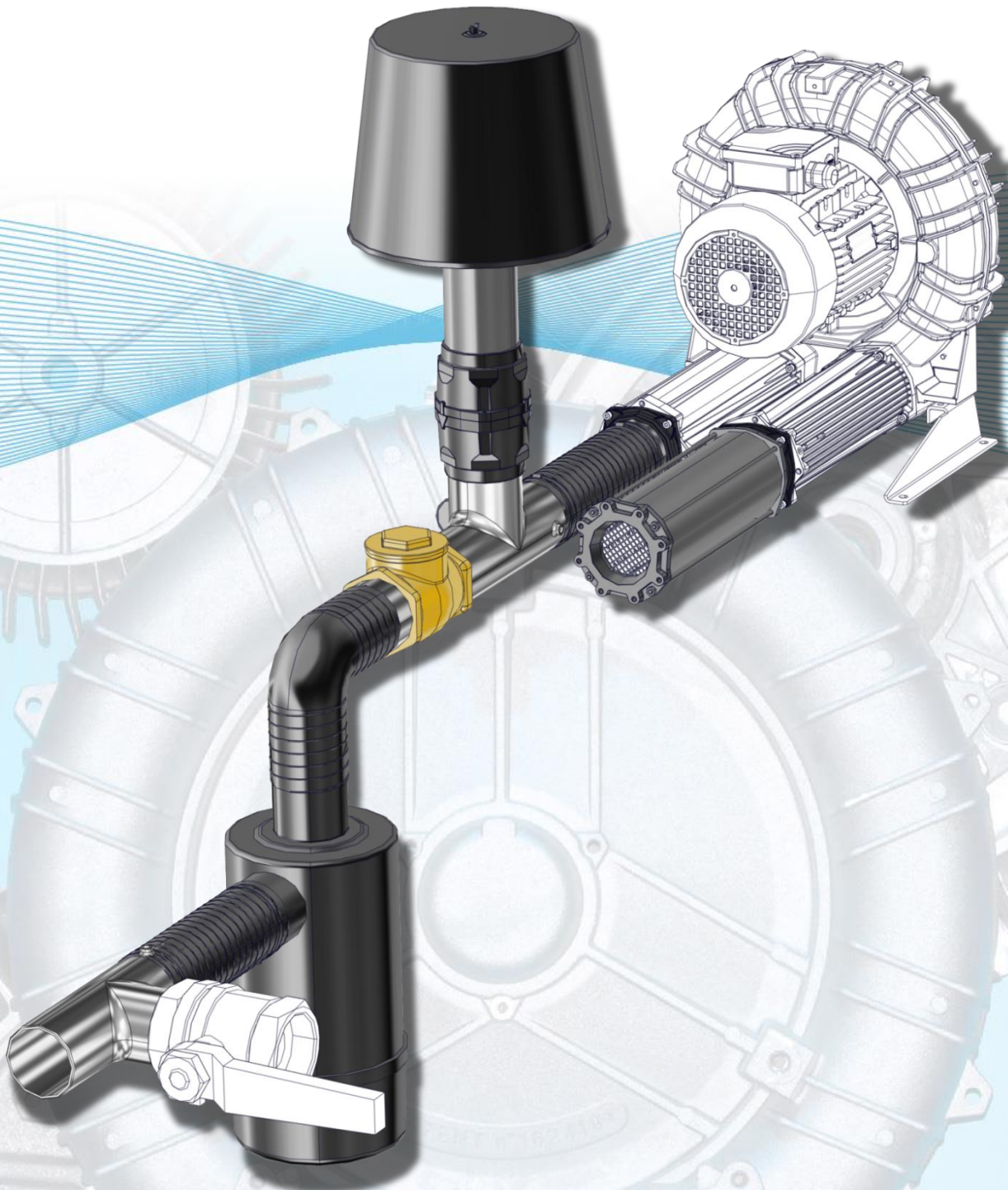
effepizeta



BLOWER SOLUTIONS

ACCESSORIES FOR BLOWERS

DSA_EU_EN_16_09



ACCESSORIES FOR SIDE CHANNEL BLOWERS - EXHAUSTERS - Technical data

COMPANY WITH
QUALITY SYSTEM
CERTIFIED BY DNV GL
= ISO 9001 =

Model	DESCRIPTION	NOTES
CA	MANIFOLD CA for FA /FL filters	Use only in suction, for installing directly on the silencer housing oriented horizontally.
CF	CARTRIDGE CF	Spare for filter FL.
CK	MANIFOLD FOR K series blowers	For installing the silencer housing vertically on the cover. In this case the blind flange will be installed on the body.
CL	CARTRIDGE CL	Spare for filter FC.
CV	CARTRIDGE CV	Spare for filter FV.
FA	SUCTION FILTER FOR INTERIORS	Direct fitting to the blower is possible via SECTION TR on the threaded flange or via MANIFOLD CA for filters.
FC	IN LINE CARTRIDGE CYCLONE FILTER	Sleeves with GAS external thread.
FL	SUCTION CARTRIDGE FILTER	Direct fitting to the blower is possible via SECTION TR on the threaded flange or via MANIFOLD CA for filters.
FM	FLEXIBLE SLEEVE	It makes connection of the blower to the plant flexible and use with HOSE SLEEVE MP and PK is foreseen.
FS	BRACKET	Filter FC accessory for rigid fixing.
FV	IN LINE CARTRIDGE FILTER	Sleeves with GAS internal thread.
IH	SOUNDPROOF CABIN	On models IH1, IH3, IH4 and IH5 fixing of the blower and connection via internal kit included is foreseen. Fixing of cabins to the floor is not foreseen. The remaining models have an open bottom and are arranged for fixing to the floor.
IP	INTAKE PROTECTION	Also suitable for protecting the inlet of RELIEF VALVE VRL.
MC	PRESSURE GAUGE	For reading the pressure at the discharge. It is installed directly on VALVE HOLDER PV and via adapter (G1/4" - G1/8") on the silencer housing.
MP	HOSE SLEEVE	It replaces THREADED FLANGE TF for use of flexible sleeve FM.
MV	VACUUM GAUGE	For reading the inlet pressure. It is installed directly on VALVE HOLDER PV and via adapter (G1/4" - G1/8") on the silencer housing.
PK	HOSE SLEEVE	For using FLEXIBLE SLEEVE FM without the silencer housing.
PV	VALVE HOLDER PV	For using RELIEF VALVE VRL and for fitting to the blower via THREADED FLANGE TF (GAS) or via FLEXIBLE SLEEVE FM.
RV	VACUUM BREAKER VALVE	For installing on a derivation of the plant to limit the pressure at the blower inlet.
SI	IN LINE SUPPLEMENTARY SILENCER	For installing directly on THREADED FLANGE TF (GAS) with atmospheric pressure.
SS	FINAL SUPPLEMENTARY SILENCER	For installing directly on THREADED FLANGE TF at the discharge with atmospheric pressure.
TF	THREADED FLANGE	Supplied as standard on all blowers.
TR	SECTION	FILTER FA and FL accessory (spare for FILTER FL).
VC	NON-RETURN VALVE	Supplied separately and for installing on the plant duct.
VM	BALL VALVE	Supplied separately and for installing on the plant duct.
VLA	RELIEF VALVE	For installing on a derivation of the plant to limit the pressure at the blower discharge.
VK	FLANGE VK	For installing RELIEF VALVE VRL replacing the blind flange on the main components of the blower.
VRL	RELIEF VALVE	For fitting directly to the blower via VALVE HOLDER PV or via FLANGE VK.

For more information and details, see the data sheet of the individual accessories in this document.

GENERAL TABLE OF ACCESSORIES for BLOWERS type MS / MD

	MS						MD						
	06R	K03	K04	K05 K06	K07 K75 K08	K09 K10 K11 K12	10DL	15DH	R20 R30	R40	K07R K08R	K09 K10	K11 K12
∅	1"	1" 1/4	1" 1/2	2"	3"	4"	1/2"	3/4"	1" 1/4		2"	4"	
DN	25	32	40	50	80	100	15	20	32		50	100	
CA	N.A.	4K ⁽¹⁾	5K ⁽²⁾	6V	8	9	N.A.	N.A.	4V	4K ⁽¹⁾	6V	9	
CF	4	4	5	6	8	9	1	4	4		6	9	
CK	N.A.	4	5	6	8	9	N.A.	N.A.	N.A.		N.A.	N.A.	
CL	-	-	5	6	8	9	-	-	-		6	9	
CV	-	-	5	6	6	9	-	-	-		6	9	
FA	-	4	5	6	8	9	-	-	4		6	9	
FC	-	-	5	6	8	9	-	-	-		6	9	
FL	3	4	5	6	8	9	1	2	4		6	9	
FM	3	4	5	6	8	9	1	2	4		6	9	
FS	-	-	5	6	8	9	-	-	-		6	9	
FV	-	4	5	6	8	9	-	-	4		6	9	
IH	-	1 ⁽¹⁾	3 ⁽²⁾	5	7	10	-	-	4 ⁽¹⁾		7R	10	
IP	-	4 6 ⁽⁴⁾	5 6 ⁽⁴⁾	6	6 ⁽⁴⁾ 8 9	6 ⁽⁴⁾ 8 ⁽⁵⁾ 9	-	-	4 6 ⁽⁴⁾		6	6 ⁽⁴⁾ 8 ⁽⁵⁾ 9	
MC	040	040	040	040	040	040	040	040	040		050	050	
MP	3	4V	5V	6	8	9	1	2	4V		6	9	
MV	020	020	020	020	020	020	020	020	020		020	020	
PK	N.A.	-	5	6	8	9	N.A.	N.A.	N.A.		6A	9	
PV	-	56 ⁽³⁾⁽⁷⁾	56	66	86 ⁽⁴⁾ 88	96 ⁽⁴⁾ 98 ⁽⁵⁾ 99	-	-	56 ⁽³⁾		66	96 ⁽⁴⁾	96 ⁽⁴⁾ 98 ⁽⁵⁾
RV	3 ⁽⁸⁾	-	-	-	-	-	3 ⁽⁸⁾	3 ⁽⁸⁾	-		-	-	
SI	-	4	5	6	8	9	-	-	4		6	9	
SS	-	4	5	6	8	9	-	-	4		6	9	
TF	-	4V	5V	6	8	9	-	-	4V 5V ⁽³⁾		6	9	
TR	-	4	5	6	8	9	-	-	4		6	9	
VC	3	4	5	6	8	9	1	2	4 5 ⁽⁴⁾		6	9	
VLA	3 ⁽⁸⁾	-	-	-	-	-	3 ⁽⁸⁾	3 ⁽⁸⁾	-		-	-	
VK	N.A.	N.A.	5	6	6A ⁽⁴⁾ 8	9	N.A.	N.A.	N.A.		6A ⁽⁶⁾	9 ⁽⁶⁾	
VRL	-	6	6	6	6 8 8	6 8 9	-	-	6		6 6HP	6 6HP	6 6HP 8

- (1) Manifold CA4V is also suitable if installation in soundproof cabin IH is foreseen.
- (2) Manifold CA5V is also suitable if installation in soundproof cabin IH is foreseen.
- (3) The use of valve VRL6 is required
- (4) Necessary if valve VRL6 is used
- (5) Necessary if valve VRL8 is used
- (6) Applicable only at the inlet for blowers K-MD
- (7) It's necessary to use the reduction 25RID-FM54
- (8) Accessory to be installed on the system

GENERAL TABLE OF ACCESSORIES for BLOWERS type TS/TD

	TS				TD				
	K05-66	K05 K06	K07 K08	K09 K10 K11 K12	K04	K05 K06	K07 K08	K09 K10	K11 K12
\varnothing	2"	3"	4"	5"	1" 1/2	2"	3"	4"	
DN	50	80	100	125	40	50	80	100	
CA	6V	8	9	10	N.A.	N.A.	N.A.	N.A.	
CF	6	8	9	9	5	6	8	9	
CK	6	8	9	10	N.A.	N.A.	N.A.	N.A.	
CL	6	8	9	-	5	6	8	9	
CV	6	6	9	10	5	6	6	9	
FA	6	8	9	10	5	6	8	9	
FC	6	8	9	-	5	6	8	9	
FL	6	8	9	10	5	6	8	9	
FM	6	8	9	10	5	6	8	9	
FS	6	8	9	-	5	6	8	9	
FV	6	8	9	10	5	6	8	9	
IH	-	-	9	13	-	-	8	11	12
IP	6	6 ⁽⁴⁾ 8 ⁽⁵⁾	6 ⁽⁴⁾ 8 ⁽⁵⁾ 9	9	5 6 ⁽⁴⁾	6	6 ⁽⁴⁾ 8	6 ⁽⁴⁾ 8 ⁽⁵⁾ 9	
MC	040	040	040	040	040	040	040	050	
MP	6	8	9	10	5V	6	8	9	
MV	020	020	020	020	020	020	020	020	
PK	6	8 ⁽⁹⁾	9 ⁽⁹⁾	9	5	6	8	9	
PV	66	86 ⁽⁴⁾ 88	96 ⁽⁴⁾ 98 ⁽⁵⁾ 99	109	56	66	86 ⁽⁴⁾ 88	96 ⁽⁴⁾ 98 ⁽⁵⁾	96 ⁽⁴⁾ 98 ⁽⁵⁾ 99
RV	-	-	-	-	-	-	-	-	
SI	6	8	9	-	5	6	8	9	
SS	6	8	9	-	5	6	8	9	
TF	6	8	9	10	5V	6	8	9	
TR	6	8	9	10	5	6	8	9	
VC	6	8	9	10	5	6	8	9	
VLA	-	-	-	-	-	-	-	-	
VK	6	6 8 ⁽⁹⁾	6A ⁽⁴⁾ 8 ⁽⁵⁾ 9 ⁽⁹⁾	9	N.A.	N.A.	N.A.	N.A.	
VRL	6	6 8	6 8 9	9	6	6	6 6HP 8	6 6HP 8	6 8 9

- (4) Necessary if valve VRL6 is used
- (5) Necessary if valve VRL8 is used
- (9) It's also necessary to use the TS manifold

SUCTION FILTER FOR INTERIORS - FA

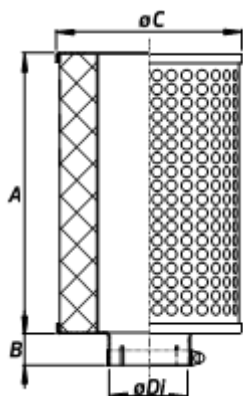
Standard version: filter element in paper.

- Filter complete with connector clamp.

Available on request:

- Section in PVC, Model "TR4 +TR10"
- Other filter elements with different degrees of filtration (see table below)
- Manifold with wide-radius curve "CA" type for use of filter vertically (applicable for MOR/GOR blowers)

DIMENSIONS * (FA)

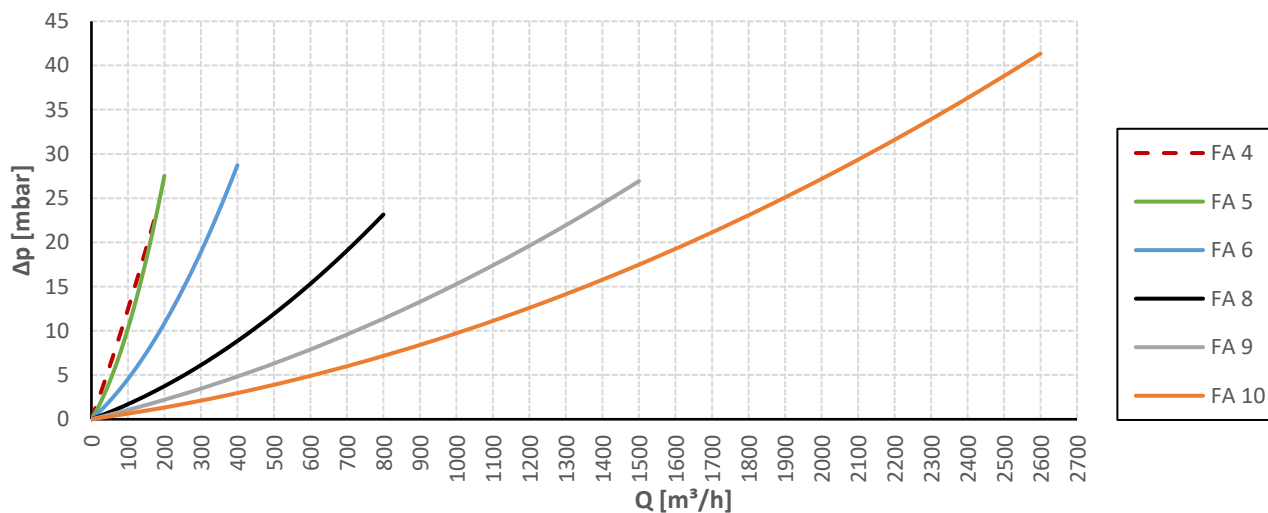


FILTER	Model	DN	A	B	øC	øDi	FLOW RATE Δp 20 mbar [m³/h]	Weight [kg]
	FA 4	32	126	23	126	43	150	0,63
	FA 5	40	217	23	152	48.5	160	1,04
	FA 6	50	217	23	152	61.5	310	1,00
	FA 8	80	150	34	200	89.5	720	1,38
	FA 9	100	160	38	257	115.5	1200	2,27
	FA 10	125	160	38	257	141	1600	2,20

(*) - Standard version filter dimensions and characteristic data

Filter Element Material	Degree of Filtration - Nominal [μm]
Paper	25
Polyester	10

FA



Flow rates detected with paper filter

IN LINE CARTRIDGE FILTER - FV

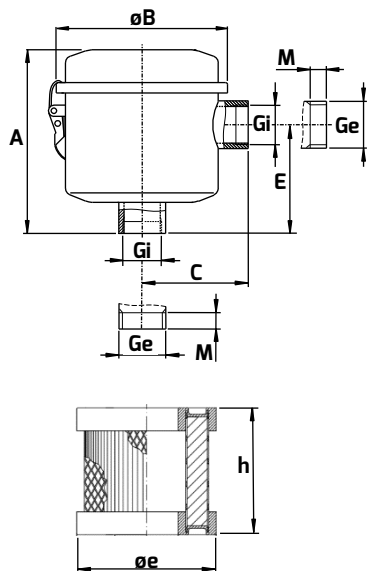
Standard version: filter element in paper.

- Container in painted steel with GAS threaded sleeves.

Available on request:

- other filter elements with different degrees of filtration (see table below)

DIMENSIONS * (FV)

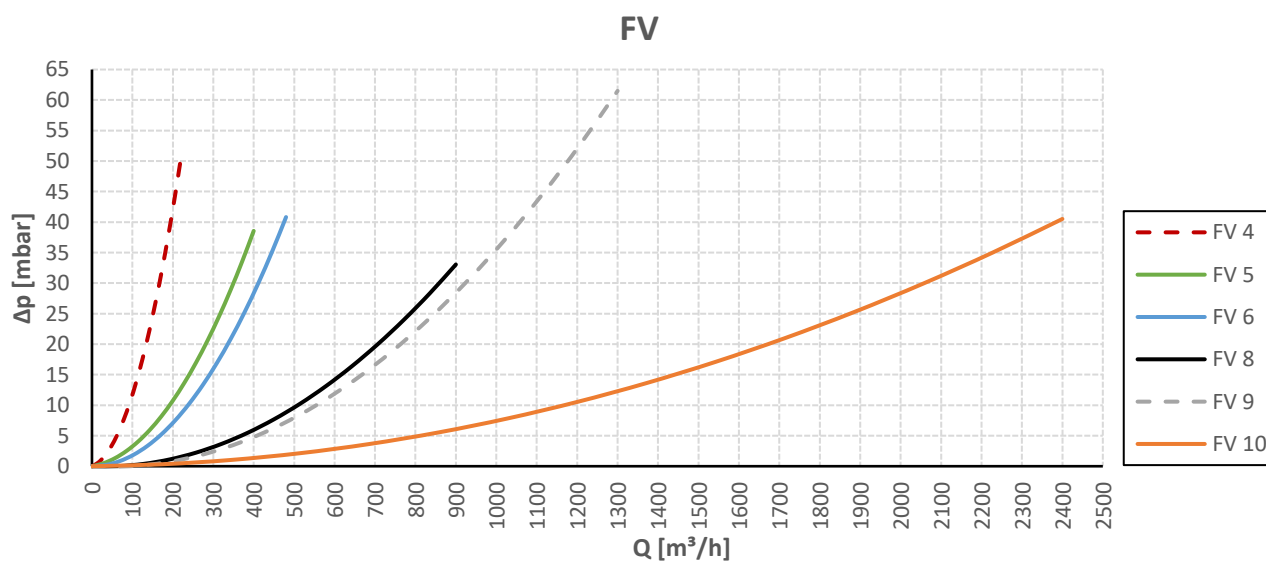


FILTER	Model	DN	A	øB	C	E	Gi	Ge	M	FLOW RATE Δp 20 mbar [m³/h]	Weight [kg]
	FV4	32	98	133	76	52	G 1" 1/4	-	-	-	130
FV 5	40	196	176	100	112	G 1" 1/2	-	-	-	280	2,10
FV 6	50	255	200	115	131	G 2"	-	-	-	330	4,65
FV 8	80	270	200	125	142	G 3"	-	-	-	700	3,44
FV 9	100	336	310	166	202	G 4"	-	-	-	750	7,15
FV 10	125	690	470	265	495	-	G 5"	40	-	1670	54,00

CARTRIDGE	Model	FILTER	øe	h	Weight * [kg]
	CV4	FV 4		98	70,5
CV 5	FV 5		125	155	0,53
CV 6	FV 6 / FV 8		150	215	0,87
CV 9	FV 9		234	276	0,50
CV10	FV 10		250	240	1,60

(*) - Standard version filter/cartridge dimensions and characteristic data

Filter Element Material	Degree of Filtration - Nominal [μm]
Paper	25
Polyester	10
Stainless steel	60



Flow rates detected with paper filter.

SUCTION CARTRIDGE FILTER - FL

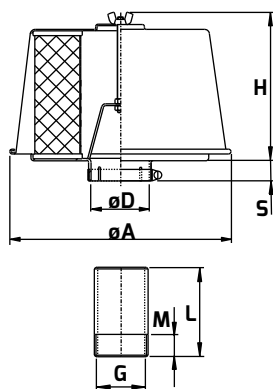
Standard version: filter element in paper.

- Complete with painted steel cover to protect the filter element from atmospheric agents.
- Clamp and section in PVC for mounting, supplied.

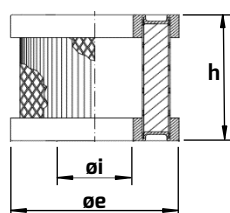
Available on request:

- other filter elements with different degrees of filtration (see table below)
- Manifold with wide-radius curve "CA" type for use of filter vertically (applicable for MOR/GOR blowers)

DIMENSIONS * (FL)



FILTER	Model	DN	øA	øD	H	S	G	L	M	FLOW RATE Δp 20 mbar (m³/h)	Weight (kg)
	FL 1	15	82	21.5	71	21	G 1/2"	100	15	19	0,20
FL 2	20	150	27	107	22	G 3/4"	130	15	50	0,60	
FL 3	25	150	34	107	16	G 1"	140	15	75	0,62	
FL 4	32	150	43	107	17	G 1" 1/4	200	15	120	0,61	
FL 5	40	203	48.5	153	14	G 1" 1/2	200	15	140	1,32	
FL 6	50	220	61.5	159	17	G 2"	200	15	250	1,56	
FL 8	80	290	89.5	184	35	G 3"	200	20	680	2,60	
FL 9	100	410	115.5	335	35	G 4"	200	20	1330	6.75	
FL 10	125	410	141	335	35	G 5"	200	30	1620	6.70	

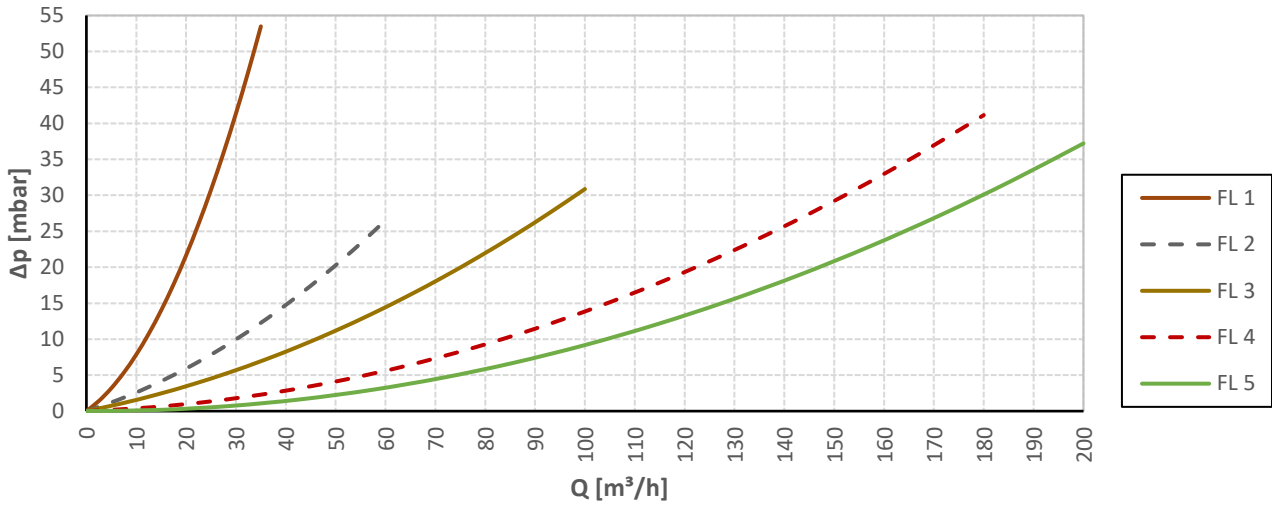


CARTRIDGE	Model	FILTER	øe	øi	h	Weight *
	CF 1	FL 1	55	25	54	0,05
FL 2						
CF 4	FL 3	108	55	82	0,20	
	FL 4					
CF 5	FL 5	147	80	135	0,43	
CF 6	FL 6	176	80	135	0,60	
CF 8	FL 8	225	100	155	1,00	
CF 9	FL 9	300	215	303	1,90	
	FL 10					

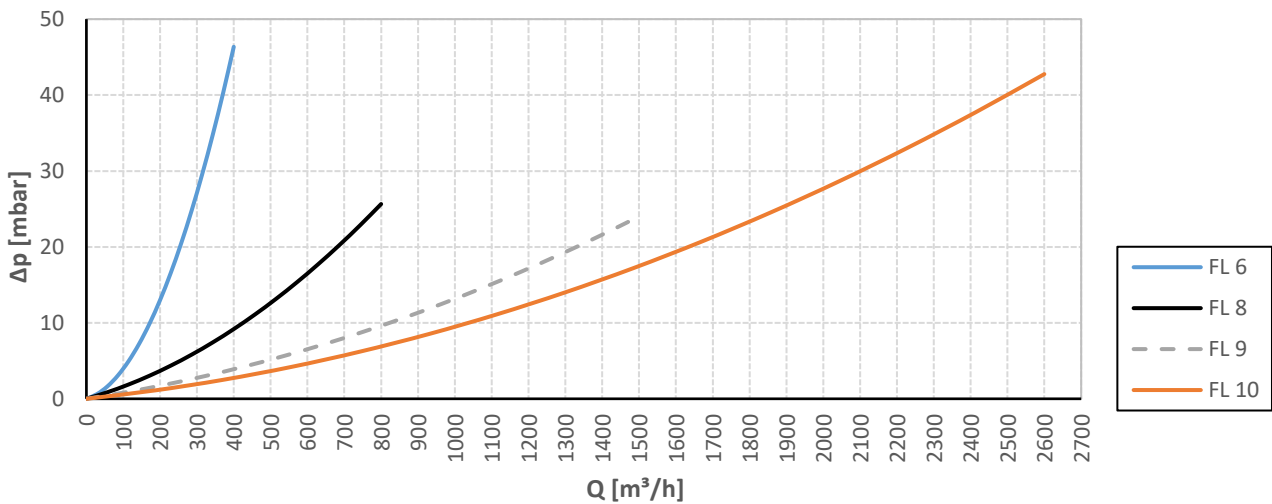
(*) – Standard version filter/cartridge dimensions and characteristic data

Filter Element Material	Degree of Filtration - Nominal [μm]
Paper	25
Polyester	10
Stainless steel	60

FL1 - FL2 - FL3 - FL4 - FL5



FL6 - FL8 - FL9 - FL10



Flow rates detected with paper filter

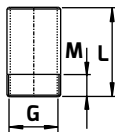
SECTION (for "FA / FL" FILTERS) - TR

Section in PVC

Operating temperature: -20/+40 °C (-5 ÷ +105 °F).

- Available as a replacement for Model "FL" filters
- Available as on request for Model "FA" filters

DIMENSIONS (TR)



SECTION	Model	DN	G	L	M	Weight [kg]
	TR 1	15	G 1/2"	100	15	0.02
	TR 2	20	G 3/4"	130	15	0.04
	TR 3	25	G 1"	140	15	0.06
	TR 4	32	G 1" 1/4	200	15	0.14
	TR 5	40	G 1" 1/2	200	15	0.16
	TR 6	50	G 2"	200	15	0.22
	TR 8	80	G 3"	200	20	0.39
	TR 9	100	G 4"	200	20	0.50
	TR 10	125	G 5"	200	30	1.23

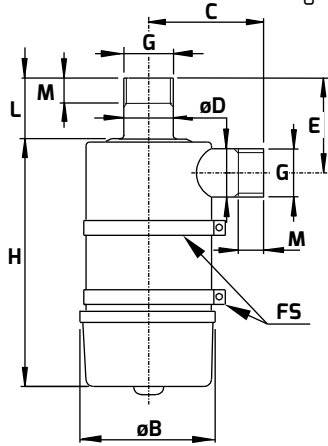
IN LINE CARTRIDGE CYCLONE FILTER - FC

Standard version: filter element in paper.

- Container in painted steel with GAS threaded sleeves
- The shape of the filter and a finned insert in plastic material ensure a high cyclonic effect, preserving the filter element.

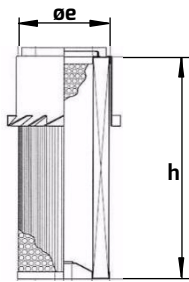
Available on request:

- other filter elements with different degrees of filtration (see table below)
- "FS" brackets for rigid fixing.



DIMENSIONS * (FC)

FILTER	Model	DN	øB	C	øD	E	G	H	L	M	FLOW RATE Δp 20 mbar [m³/h]	Weight [kg]
	FC 5	40	146	130	48	126	G 1" 1/2	315	83	22	170	2.37
FC 6	50	178	156	60	140	G 2"	341	90	22	240	3.39	
FC 8	80	220	157	88	174	G 3"	453	102	22	440	5.24	
FC 9	100	276	225	114	204	G 4"	493	123	22	730	9.14	

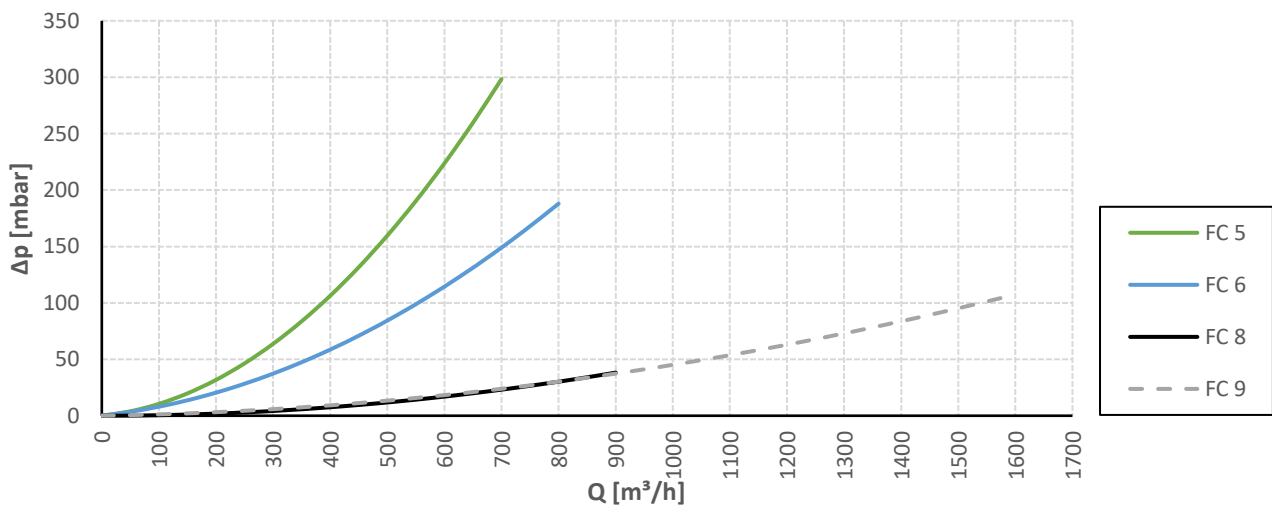


CARTRIDGE	Model	FILTER	øe	h	Weight * [kg]
	CL 5	FC 5	104	264	0.51
CL 6	FC 6	134	290	0.93	
CL 8	FC 8	155	395	1.50	
CL 9	FC 9	202	421	2.11	

(*) - Standard version filter/cartridge dimensions and characteristic data

Filter Element Material	Degree of Filtration - Nominal [μm]
Paper	25
Polyester	10

FC

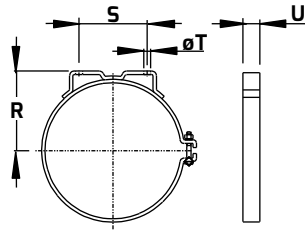


Flow rates detected with paper filter

RACKET (for filter "FC") - FS

Galvanised metal bracket for rigid fixing

- Available on request



DIMENSIONS (FS)

BRACKET	Model	FILTER	R	S	øT	U
	FS 5	FC 5	70	84	9	22
FS 6	FC 6	103	93	9	22	
FS 8	FC 8	122	112	9	25	
FS 9	FC 9	147	126	11.5	32	

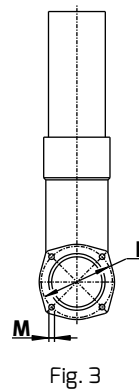
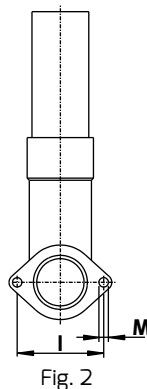
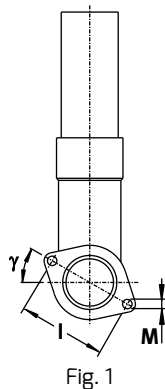
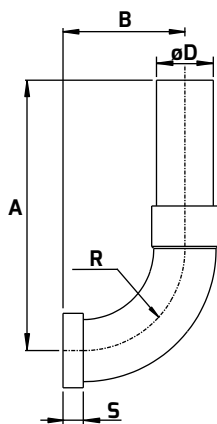
MANIFOLD - CA (for "FA /FL" filters)

90° manifold in PVC with wide-radius curve, flanged end for fixing to the blower and smooth terminal for filter.

Operating temperature: -20/+40 °C (-5 ÷ +105 °F).

DIMENSIONS (CA)

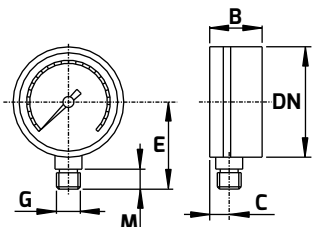
Model	DN	A	B	øD	I	M	R	S	γ	Fig.	Weight [kg]
CA 4	32	220	90	42	75	7	80	15	30°	1	0.22
CA 4V	32	220	90	42	64	7	80	15	-	2	0.22
CA 4K	32	260	160	42	64	7	80	15	-	2	0.32
CA 5	40	260	110	48	85	7	100	15	45°	1	0.43
CA 5V	40	260	110	48	75	7	100	15	-	2	0.43
CA 5K	40	300	180	48	75	7	100	15	-	2	0.55
CA 6	50	320	135	60	85	7	126	15	45°	1	0.73
CA 6V	50	320	135	60	85	7	126	15	-	2	0.73
CA 8	80	380	185	88.5	120	7	180	15	-	3	1.60
CA 9	100	400	235	113.9	150	9	220	20	-	3	3.14
CA 10	125	450	300	140	210	18	280	20	-	3	5.88



PRESSURE GAUGE/VACUUM GAUGE – MC / MV

Pressure gauge built according to UNI EN 837.1 - BLACK painted metal case - IP55 - Cylindrical radial connection (ISO 228) - Dial in aluminium, white background

Operating values: Operating temperature -10°C to + 60°C
Overpressure: 25% (according to EN837.1)



DIMENSIONS (MC/MV)

Model	Δp mbar	ACCURACY	DN	B	C	E	G	M	Weight (g)
MC 040	0 ÷ 600	1.6%	63	27	10	54	G 1/4"	13	99
MC 050	0 ÷ 1000	1.6%	63	27	10	54	G 1/4"	13	99
MV 020	-600 ÷ 0	1.6%	63	27	10	54	G 1/4"	13	99

FLEXIBLE SLEEVE

Features:

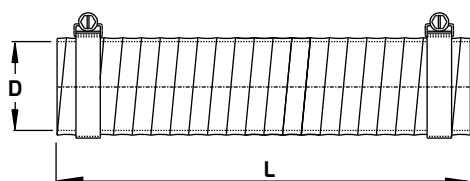
- Extremely flexible - Smooth internally - Resists twisting - Good chemical resistance - Steel spring solidly embedded in the fabrics

Structure:

- Tube wall: neoprene-coated double fibreglass fabric - Spiral: steel wire spring - Reinforcement: double hollow in fibreglass

Supplied with pair of clamps.

Operating temperature (continuous): -35 ÷ +135 °C (-31 ÷ +275 °F).



DIMENSIONS (FM)

Model	DN	D	L
FM 1	15	22	200
FM 2	20	30	200
FM 3	25	32	200
FM 4	32	45	200
FM 4C	32	45	110
FM 5	40	51	250
FM 5C	40	51	130
FM 6	50	64	250
FM 6C	50	64	135
FM 8	80	90	330
FM 9	100	114	330
FM 10	125	140	330

CHARACTERISTIC DATA (FM)

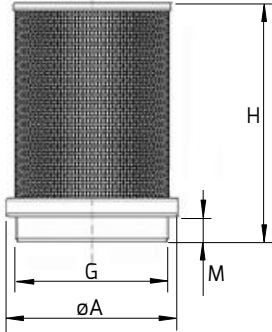
Model	min. radius of curvature (mm)	max. pressure (bar)	max. negative pressure (mbar)	Weight (g)
FM 1	15	2.8	650	60
FM 2	15	2.8	650	65
FM 3	16	2.6	650	90
FM 4	21	2.6	560	135
FM 4C	21	2.6	560	85
FM 5	24	2.6	520	180
FM 5C	24	2.6	520	100
FM 6	31	2.4	480	200
FM 6C	31	2.4	480	120
FM 8	44	2.0	400	250
FM 9	57	1.6	290	370
FM 10	70	1.3	190	400

INTAKE PROTECTION - IP

Filter for VRL.

Stainless steel mesh and polymer threaded sleeve.

Available with NPT thread only for sizes DN80 and DN100.



DIMENSIONS (IP)

Model	DN	øA	G	H	M	Degree of filtration	Weight [g]
IP4	32	50	G 1" 1/4	75	10	1200 µm	38
IP5	40	56	G 1" 1/2	83	11	1200 µm	47
IP6	50	69	G 2"	98	13	1200 µm	70
IP8	80	102	G 3"	138	15	2000 µm	194
IP8 N	80	102	3" NPT	138	15	2000 µm	194
IP9	100	129	G 4"	153	16	2000 µm	300
IP9 N	100	129	4" NPT	153	16	2000 µm	300

HOSE SLEEVE - MP

Flange with hose collar in aluminium alloy or steel.

Its use replaces the threaded flange on the silencer housing. (the only exception is the sleeve as in fig.4).

Sleeves MP 1, MP 2, MP 9 are installed on the respective threaded flange.

DIMENSIONS (MP)

Model	DN	øD	G	H	I	L	M	R	S	Fig.	Weight [kg]
MP 1	15	21	G 1/2"	100	-	85	-	-	-	4	0.10
MP 2	20	27	G 3/4"	100	-	85	-	-	-	4	0.12
MP 3	25	32	-	35	54.5	25	-	6.5	-	1	0.06
MP 4	32	42	-	35	75	25	-	6.5	-	1	0.07
MP 4V	32	42	-	35	64	25	-	6.5	-	1	0.07
MP 5	40	48	-	35	85	25	-	6.5	-	1	0.10
MP 5V	40	48	-	35	75	25	-	6.5	-	1	0.10
MP 6	50	60	-	35	85	25	-	6.5	-	1	0.12
MP 8	80	88	-	45	120	32	-	6.5	-	2	0.24
MP 9	100	114	G 4"	100	-	80	-	-	-	4	0.88
MP 10	125	140	-	62	210	52	-	17	-	2	2.40
MP 10 G	125	-	G 5"	62	210	-	35	17	10	3	2.40
MP 10 N	125	-	5" NPT	62	210	-	35	17	10	3	2.40

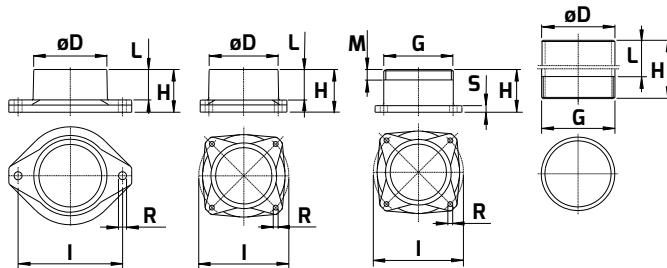


Fig.1

Fig.2

Fig.3

Fig.4

HOSE FLANGE FOR BLOWER K - PK

Flange in aluminium alloy with hose collar, also available painted RAL 7016.

Supplied with mounting kit (gasket and screws plus wrench).

Allows the connection of K series blowers to the system, without the use of the silencer housing as specified below:

- blower K-MS/TS/TD applicable in delivery and in suction;
- blower K-MD applicable only on the cover in suction

DIMENSIONS (PK)

Model	DN	øD	H	I	L	R	S	Fig.	Weight (g)
PK 5	40	48	30	92	20	6.5	10	1	90
PK 6	50	60	50	110	35	8.5	10	1	270
PK 6A	50	60	60	130	35	9	11	2	335
PK 8	80	88	43	130	24	9	11	2	300
PK 9	100	113	46	150	27	9	11	2	385

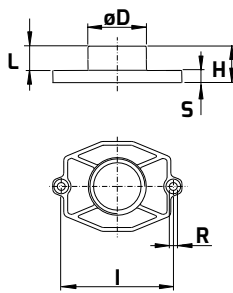


Fig. 1

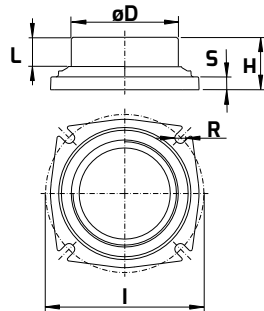
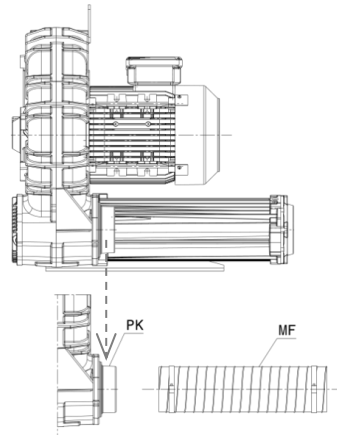


Fig. 2



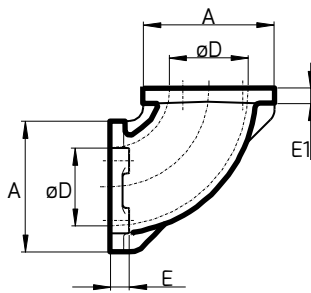
MANIFOLD - CK

90° manifold in aluminium alloy applicable on "K" series blowers, also available painted RAL 7016.

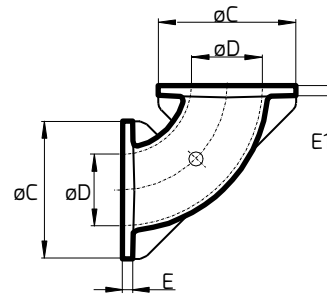
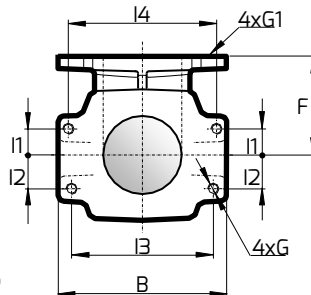
Supplied with mounting kit (gasket and screws plus wrench).

DIMENSIONS (CK)

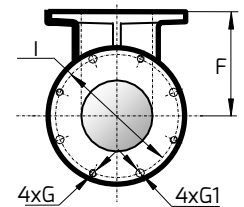
Model	DN	A	B	øC	øD	E	E1	F	4xG	4xG1	I	I1	I2	I3	I4	Weight (kg)
CK 4	32	69	84.6	-	38	11.5	7.0	56	M6	7	-	14.5	14.5	70.2	70.2	0.36
CK 5	40	80	100	-	43	11.5	7.0	56	M6	7	-	17.6	17.6	85	85	0.50
CK 6	50	92	118	-	55	13.0	8.5	69	M8	9	-	18.3	23.8	99.4	104	0.70
CK 8	80	-	-	145	75	10.5	10.5	110	M8	9	130	-	-	-	-	1.37
CK 9	100	-	-	165	90	10.5	10.5	132	M8	9	150	-	-	-	-	1.77
CK 10	125	-	-	220	128	10.5	10.5	192	M8	9	190	-	-	-	-	3.82



CK 4/CK 5/CK 6



CK 8/CK 9/CK 10



VALVE HOLDER for valves VRL - PV

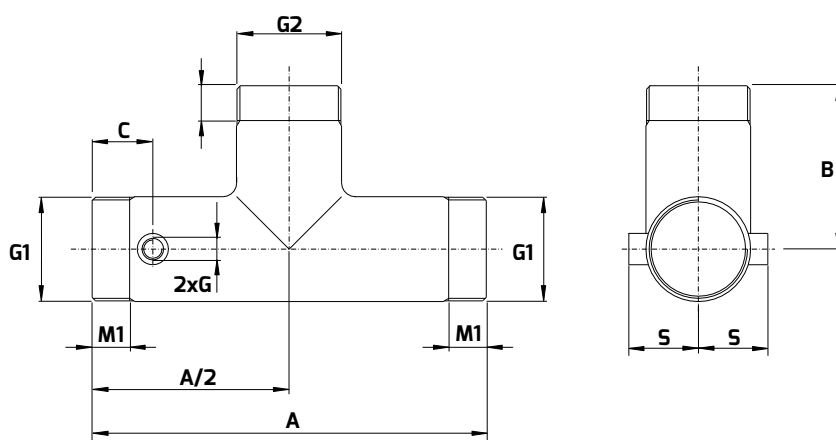
In AISI 304 stainless steel, end with GAS thread and complete with G1/4" hole for connecting pressure gauge MC or vacuum gauge MV. Installs directly onto the threaded flange of the blower (inlet and outlet).

Suitable for use of flexible sleeve MF.

Model PV 56 provides for 2 sleeves, in zinc plated cast iron, with Gas tapered male thread (Gc 1" 1/2) on both ends.

DIMENSIONS (PV)

Model	DN	A	B	C	2xG	G1	G2	M1	M2	S	Weight [kg]
PV 56	40	325	95	83	G 1/4"	G 1" 1/2	G 2"	15	21.5	40	1.73
PV 66	50	227	95	35	G 1/4"	G 2"	G 2"	21.5	21.5	40	0.85
PV 86	80	310	135	55	G 1/4"	G 3"	G 2"	28.0	21.5	54	1.85
PV 88	80	310	130	55	G 1/4"	G 3"	G 3"	28.0	28.0	54	1.99
PV 96	100	370	150	65	G 1/4"	G 4"	G 2"	31.5	21.5	67	2.64
PV 98	100	370	173	65	G 1/4"	G 4"	G 3"	31.5	28.0	67	3.00
PV 99	100	370	147	65	G 1/4"	G 4"	G 4"	31.5	31.5	67	2.80
PV 109	125	370	175	65	G 1/4"	G 5"	G 4"	31.5	31.5	80	4.20

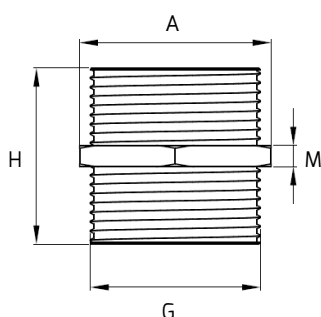


NIPPLO - NP

Galvanised barrel/pipe nipple fitting for direct connection of the FV filters to the blower.

Available with G (gas) thread only for the sizes specified in the table.

INGOMBRI (NP)



Mod	DN	A	G	H	M	Weight [kg]
NP4	32	48	G 1" 1/4	58	12,5	0,27
NP5	40	54	G 1" 1/2	60	11	0,28
NP6	50	70	G 2"	70	13,5	0,52
NP8	80	100	G 3"	84	14,5	1,13
NP9	100	130	G 4"	97	13,5	1,86

FLANGE for valves VRL - VK

In aluminium alloy with threaded end, GAS and NPT, also available painted RAL 7016.

Supplied with mounting kit (gasket and screws plus wrench).

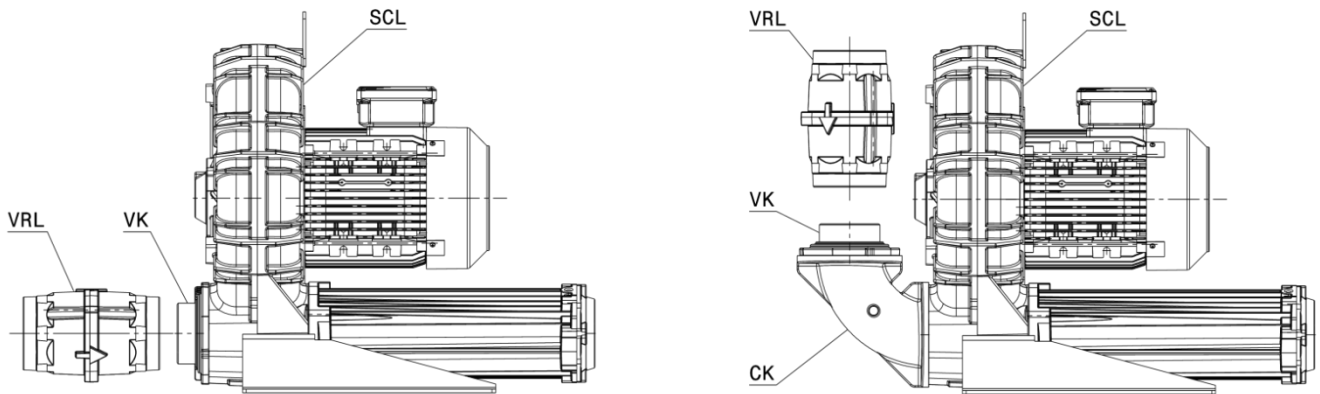
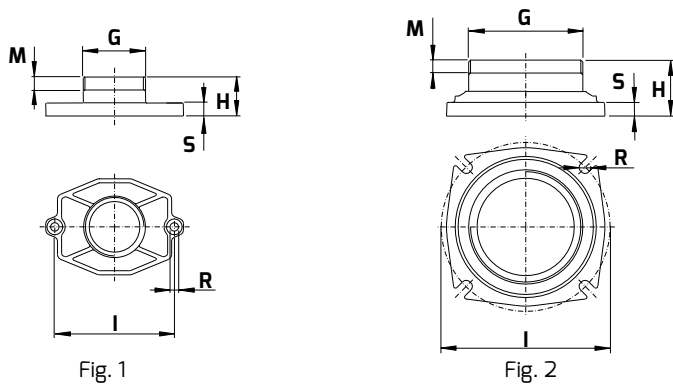
Allows the connection of valves VRL directly on the cover of K series blowers as specified below:

- blower K-MS/TS applicable in delivery and in suction;
- blower K-MD applicable only in suction;
- blower K-TD not applicable.

Model VK 5G (native G 1" 1/2) including reduction in order to install valve VRL 6 G 2"

DIMENSIONS (VK)

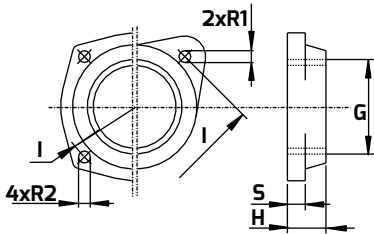
Model	DN	G	H	I	M	R	S	Fig.	Weight (g)
VK 5G	40	G 2"	47	92	17	6.5	10	1	310
VK 6G	50	G 2"	50	110	17	8.5	10	1	265
VK 6AG	50	G 2"	60	130	12	9	11	2	345
VK 8G	80	G 3"	43	130	10	9	11	2	290
VK 9G	100	G 4"	46	150	12	9	11	2	360
VK 5N	40	1" 1/2 NPT	30	92	15	6.5	10	1	85
VK 6N	50	2" NPT	50	110	24	8.5	10	1	265
VK 6AN	50	2" NPT	60	130	19	9	11	2	345
VK 8N	80	3" NPT	44	130	20	9	11	2	280
VK 9N	100	4" NPT	46	150	23	9	11	2	345



THREADED FLANGE - TF

In aluminium alloy and available with female thread, GAS and NPT, also available painted RAL 7016.
Supplied standard with blower.

DIMENSIONS (TF)

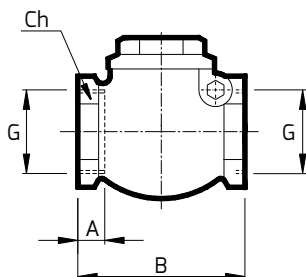


Model	DN	G	H	I	2xR1	4xR2	S	Weight [g]
TF 3 G	25	G 1"	18	54.5	6.5	-	10	47
TF 4 G	32	G1" 1/4	18	75	6.5	-	10	95
TF 4V G	32	G1" 1/4	18	64	6.5	-	10	50
TF 5 G	40	G1" 1/2	18	85	6.5	-	10	130
TF 5V G	40	G1" 1/2	18	75	6.5	-	10	80
TF 6 G	50	G 2"	18	85	6.5	-	10	100
TF 8 G	80	G 3"	25	120	-	6.5	13	200
TF 9 G	100	G 4"	25	150	-	9	13	285
TF 10 G	125	G 5"	35	210	-	17	13	770
TF 3 N	25	1" NPT	18	54.5	6.5	-	10	47
TF 4 N	32	1" 1/4 NPT	18	75	6.5	-	10	95
TF 4V N	32	1" 1/4 NPT	18	64	6.5	-	10	50
TF 5 N	40	1" 1/2 NPT	18	85	6.5	-	10	130
TF 5V N	40	1" 1/2 NPT	18	75	6.5	-	10	80
TF 6 N	50	2" NPT	18	85	6.5	-	10	100
TF 8 N	80	3" NPT	25	120	-	6.5	13	200
TF 9 N	100	4" NPT	25	150	-	9	13	285
TF 10 N	125	5" NPT	35	210	-	17	13	770

NON-RETURN VALVE - VC

Valve body and metal parts in brass alloy
Shutter gasket: NBR only for Model VC 10
GAS female threaded connections
Min./Max. nominal operating pressure : 0.05 bar / 10 bar (6 bar for sizes G 3" and G 4")
Operating temperature: 0°C - +90°C

DIMENSIONS (VC)



Model	DN	A	B	G	Ch Hex	Weight [kg]
VC 1	15	8	47	G 1/2"	25	0.16
VC 2	20	8	53	G 3/4"	32	0.33
VC 3	25	10	63	G 1"	38	0.38
VC 4	32	10	74	G 1" 1/4	47	0.46
VC 5	40	10	87	G 1" 1/2	55	0.74
VC 6	50	11	97	G 2"	67	1.02
VC 8	80	16	135	G 3"	95	2.44
VC 9	100	20	164	G 4"	124	3.90
VC 10	125	22	206	G 5"	150	6.97

BALL VALVE - VM

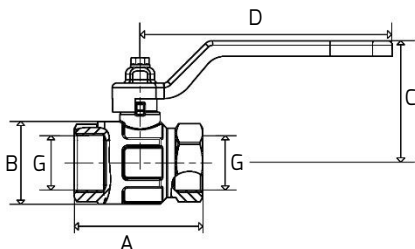
Ball valve with lever handle in steel and body in nickel-plated brass.

To be used in branch to the main pipe, to reduce the flow rate or the vacuum/pressure supplied to the user.

Do not use to directly throttle the flow generated by the blower.

If applied on the suction side, install a suitable filter to prevent the entry of foreign particles.

DIMENSIONS (VM)



Mod	DN	A	B	C	D	G	Peso [kg]
VM 3	25	70	45.5	59	113	G 1"	0.42
VM 4	32	80.5	57	75	138	G 1" 1/4	0.68
VM 5	40	94.5	70	81	138	G 1" 1/2	1.03
VM 6	50	112.5	84	96	157.8	G 2"	1.63

VACUUM/PRESSURE RELIEF VALVE - VRL

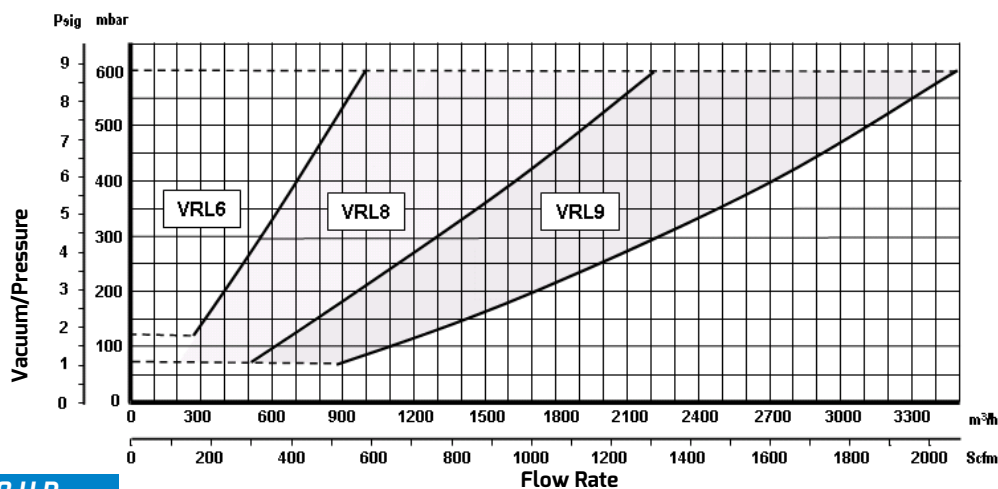
Designed for limitation in the range of low / negative pressures with minimum hysteresis (difference between cut-in value and adjusted value).

Featuring compact construction in aluminium alloy, easy to install and calibrate, they are suitable for a wide range of flows and offer the possibility of in-line mounting when conveying the secondary flow is required.

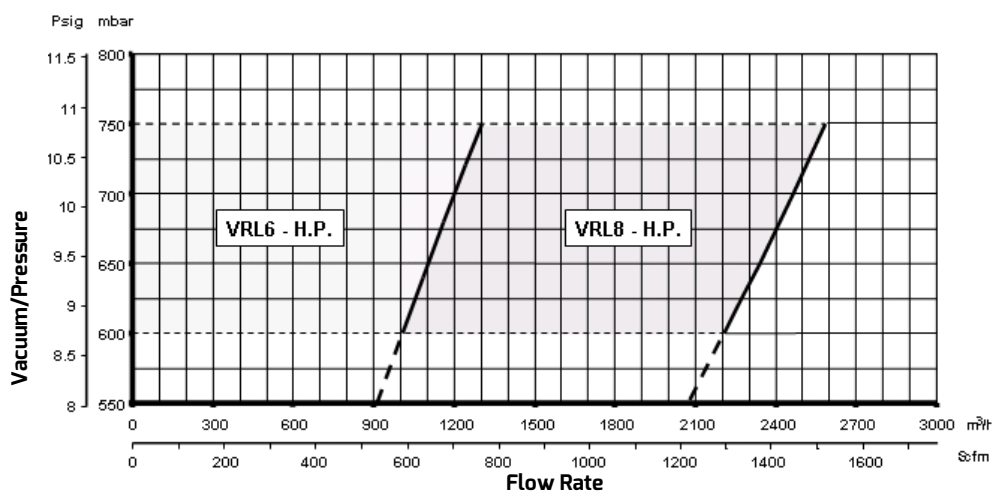
The valve kit provides for an additional spring with greater preload.

For correct use, consult the use and maintenance manual.

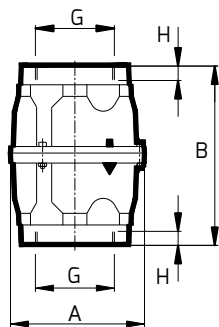
VRL6/VRL8/VRL9



VRL6/VRL8 H.P.

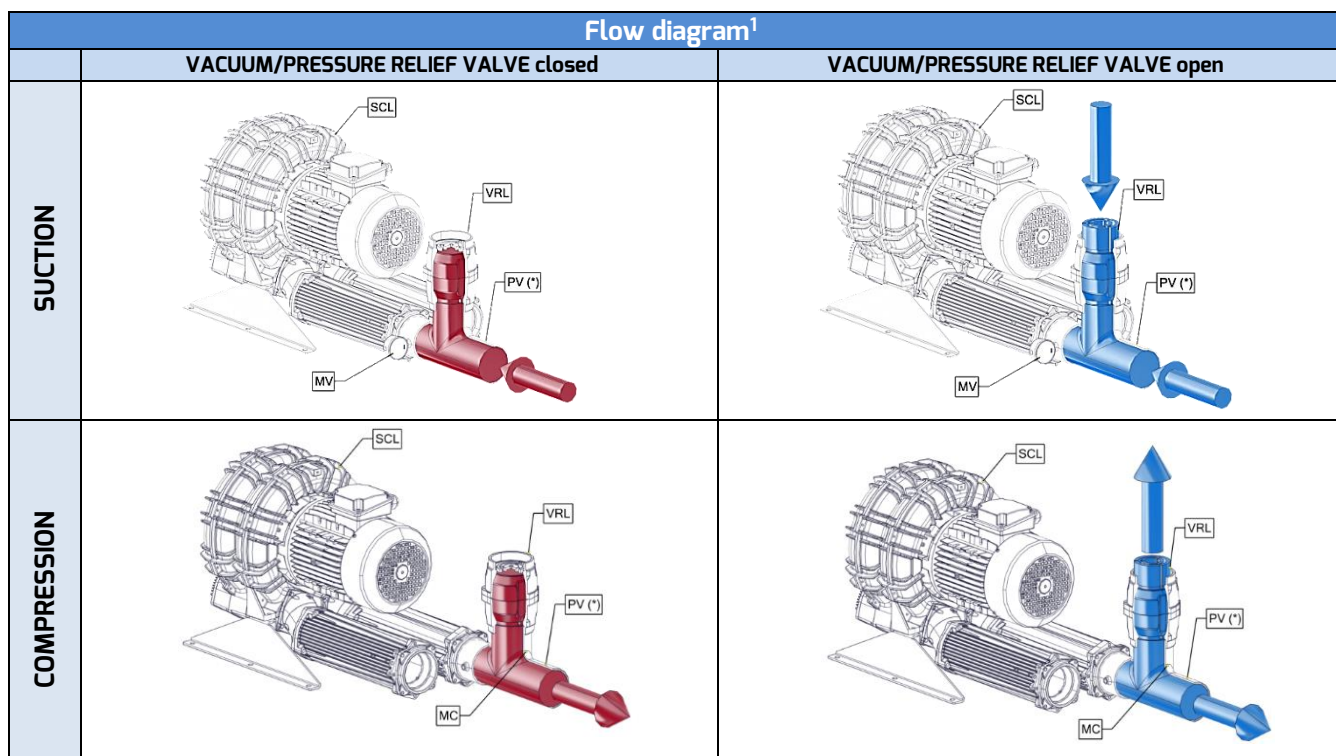


DIMENSIONS (VRL)



VALVE	Model	DN	A	B	G	H	Weight (kg)
	VRL 6 G	50	102	175	G 2"	12	0.89
	VRL 6HP G	50	102	175	G 2"	12	0.89
	VRL 8 G	80	135	190	G 3"	15	2.02
	VRL 8HP G	80	135	190	G 3"	15	2.02
	VRL 9 G	100	160	206	G 4"	18	2.81
	VRL 6 N	50	102	175	2" NPT	12	0.89
	VRL 6HP N	50	102	175	2" NPT	12	0.89
	VRL 8 N	80	135	190	3" NPT	15	2.02
	VRL 8HP N	80	135	190	3" NPT	15	2.02
	VRL 9 N	100	160	206	4" NPT	18	2.81

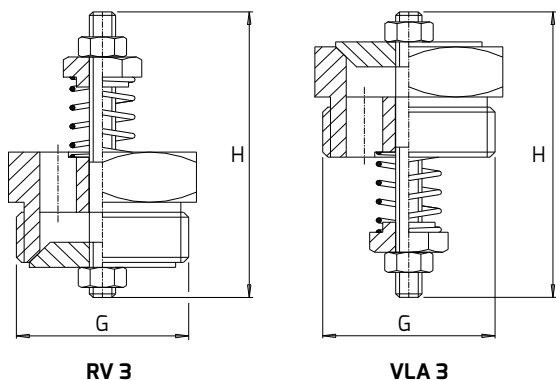
Flow diagram¹



VACUUM/PRESSURE RELIEF VALVE - RV / VLA

Valve body and plate in aluminium alloy. Available with GAS thread only.

DIMENSIONS (VLA/RV)



Model	DN	G	H	Weight (g)
RV 3	25	G 1"	57	70
VLA 3	25	G 1"	57	70

¹ Attention : For the correct reading of the value given on the pressure gauge/vacuum gauge, position the instrument between the silencer housing and the VRL
(*) See the relevant data sheet

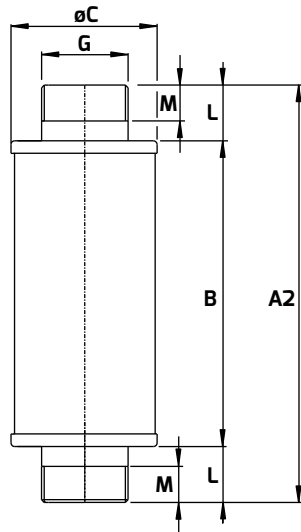
IN LINE SILENCER – SI

Suitable for fitting on the inlet pipe as well the outlet pipe under the following conditions:

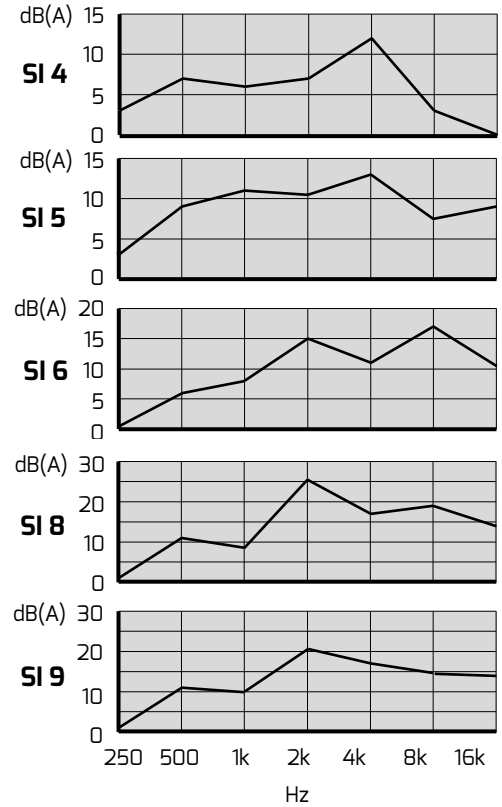
- Inlet installation allowed if the machine works as a blower (suction pressure equal to atmospheric pressure)
- Outlet installation allowed if the machine works as an exhauster (discharge pressure equal to atmospheric pressure)

In steel sheet (except SI9 and SS9 entirely in aluminium alloy) with polyurethane sound-absorbing element, they reduce the noise of the conveyed flow by absorption.

In line silencer SI for in line mounting with GAS/NPT threaded sleeve at both ends.



Average indicative attenuation values



DIMENSIONS (SI)

Model	DN	A2	B	øC	G	L	M	Weight (kg)
SI 4	32	240	140	70	G 1" 1/4	50	15	0,57
SI 5	40	230	170	80	G 1" 1/2	30	20	0,55
SI 6	50	260	200	90	G 2"	30	20	0,63
SI 8	80	570	400	152	G 3"	85	20	2,95
SI 9	100	485	430	169	G 4"	27	20	3,90
SI 9 N	100	485	430	169	4" NPT	27	20	3,90

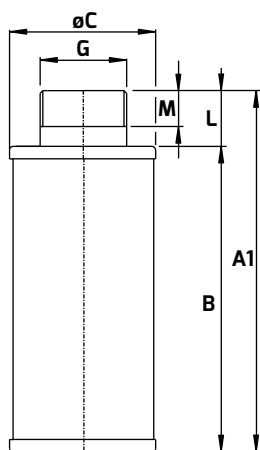
FINAL SILENCER - SS

Suitable for fitting on the inlet pipe as well the outlet pipe under the following conditions:

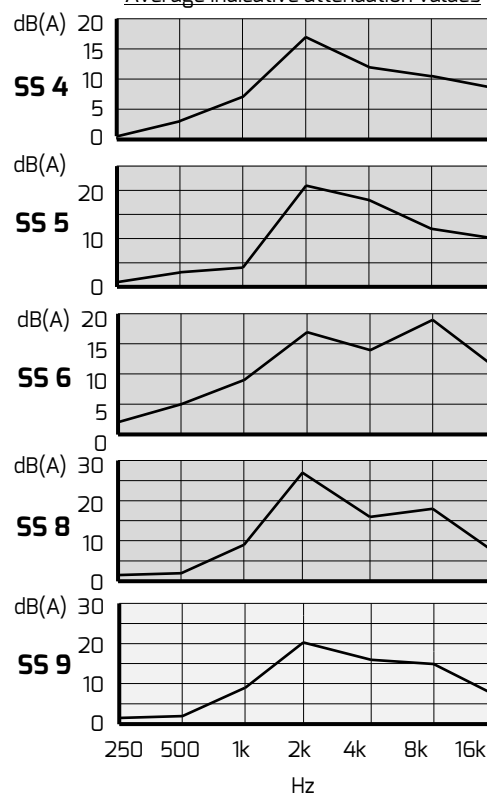
- Inlet installation allowed if the machine works as a blower (suction pressure equal to atmospheric pressure)
- Outlet installation allowed if the machine works as an exhauster (discharge pressure equal to atmospheric pressure)

In steel sheet (except SS9 and SS9 entirely in aluminium alloy) with polyurethane sound-absorbing element, they reduce the noise of the conveyed flow by absorption.

Final silencer SS for mounting at head of duct with GAS/NPT threaded sleeve to one end and opening to the atmosphere at other end.



Average indicative attenuation values



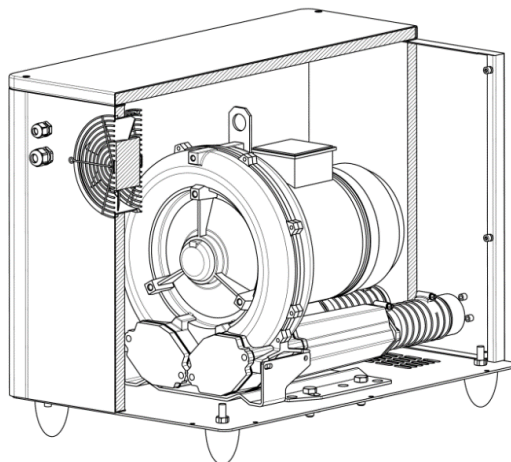
DIMENSIONS (SS)

Model	DN	A1	B	øC	G	L	M	Weight [kg]
SS 4	32	190	140	70	G 1" 1/4	50	15	0,38
SS 5	40	200	170	80	G 1" 1/2	30	20	0,44
SS 6	50	230	200	90	G 2"	30	20	0,50
SS 8	80	485	400	152	G 3"	85	20	2,04
SS 9	100	465	430	169	G 4"	27	20	4,10
SS 9 N	100	465	430	169	4" NPT	27	20	4,10

SOUNDPROOF CABIN - IH1 - IH3 - IH4 - IH5

CHARACTERISTICS:

- Noise reduction 10 dB(A) max.
- Structure in RAL 9001 painted sheet steel, lined with sound-absorbing material.
- Arranged with electric axial fan for removing heat generated by the motor and blower.
- Bottom of cabin with air inlet grille for ventilation.
- Cabin on 4 rubber antivibration mounts.
- Cabin supplied with kit for connection of blower.
- Possibility of installing the accessories provided for the blower directly on the cabin.
- Not suitable for outdoor installation without adequate protection.



PERFORMANCE OF BLOWERS (MOR Wide Range version) INSTALLED IN SOUNDPROOF CABIN

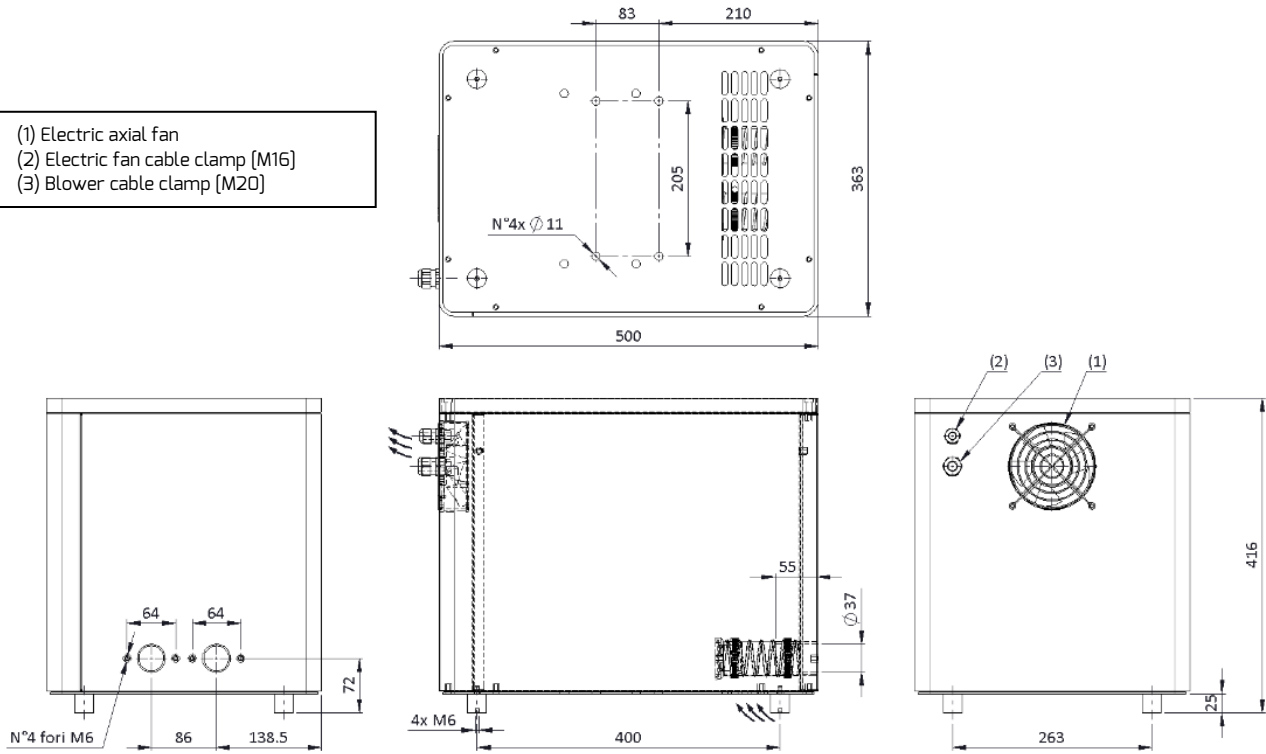
Blower	Cabin	Installed power [kW]	Differential pressure [mbar]	Blower	Cabin	Installed power [kW]	Differential pressure [mbar]		
K03-MS	IH1	0.37	-75/+85	R20-MD	IH4	0.75	-275/+300		
		0.42	-75/+75			0.90	-275/+250		
		0.55	-100/+125			1.1	-275/+375		
		0.65	-150/+175			1.3	-325/+425		
		0.75	-125/+125			1.1	-275/+300		
K04-MS	IH3	0.90	-100/+100	R30-MD	IH4	1.3	-300/+275		
		1.1	-175/+175			1.5	-325/+400		
		1.3	-150/+150			1.7	-350/+400		
		1.5	-150/+225			R40-MD	IH4	2.2	-325/+400
		1.7	-225/+225					2.6	-350/+375
K05-MS	IH5	1.1	-105/+105	3.0	-325/+475				
		1.3	-75/+75	3.5	-350/+475				
		1.5	-150/+150	K06-MS	IH5	2.2	-135/+135		
		1.7	-135/+135			2.6	-100/+100		
		2.2	-215/+225			3.0	-215/+215		
2.6	-235/+235	3.5	-200/+200						
3.0	-215/+275	4.0	-245/+275						
3.5	-235/+325	4.8	-250/+300						

FAN CHARACTERISTICS (SINGLE-PHASE)

	IH1 - IH3		IH4 - IH5	
Frequency [Hz]	50	60	50	60
Power [W ±10%]	18	15	46	44
Power supply [V]	220-240		230±10%	
Nom. absorption [A ±10%]	0.13	0.09	0.30	0.28
Protection	IP 44		IP 54	
Phases	1			
Poles	2			
Operating temperature	-20°C to +70°C			

DIMENSIONS (IH1)

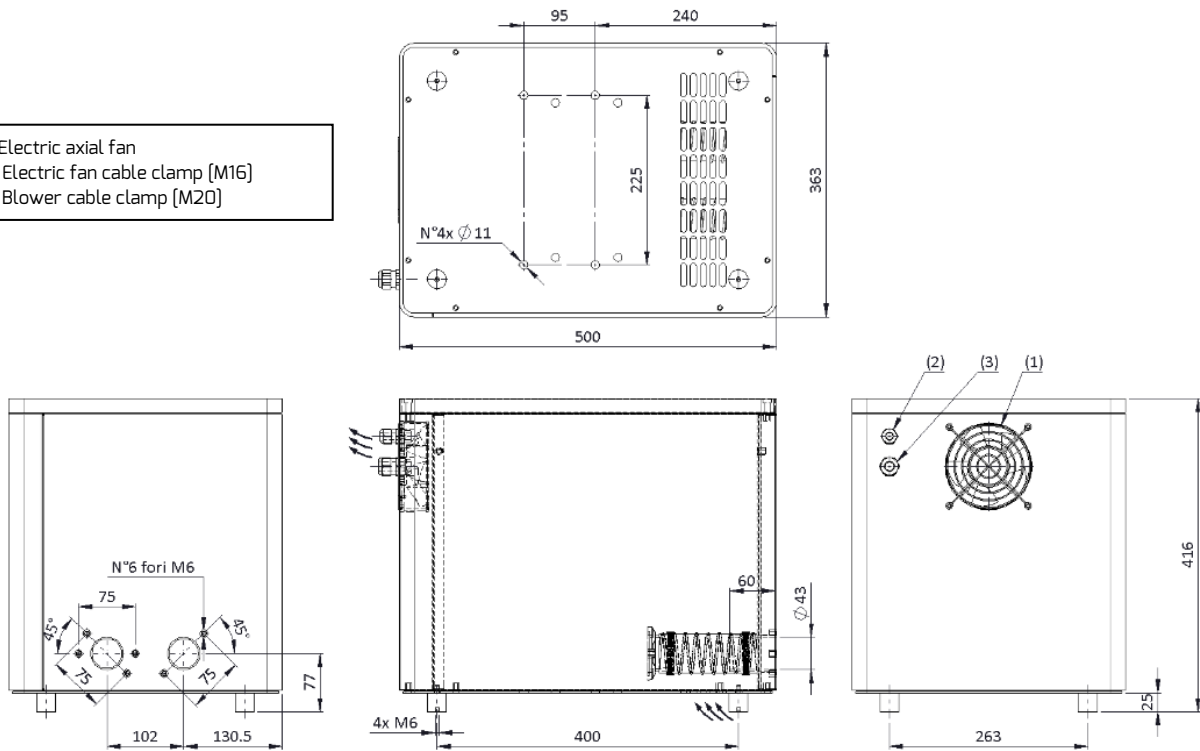
- (1) Electric axial fan
- (2) Electric fan cable clamp [M16]
- (3) Blower cable clamp [M20]



Model	Weight [kg]
IH1	17.0

DIMENSIONS (IH3)

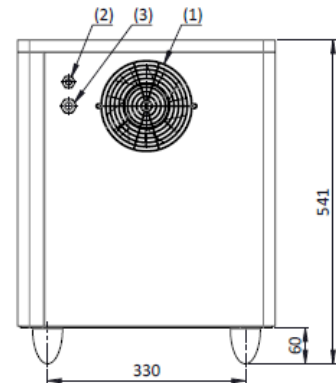
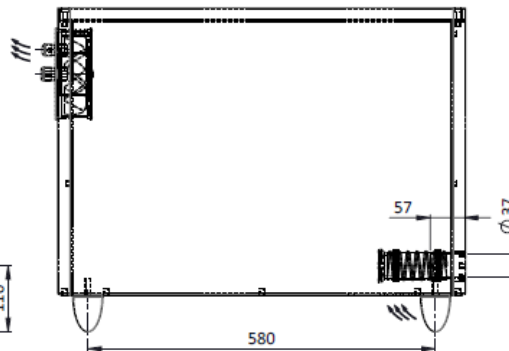
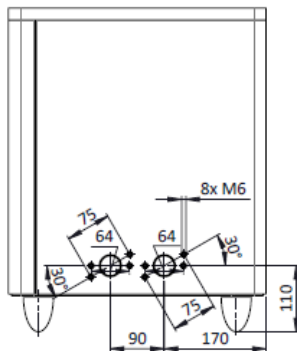
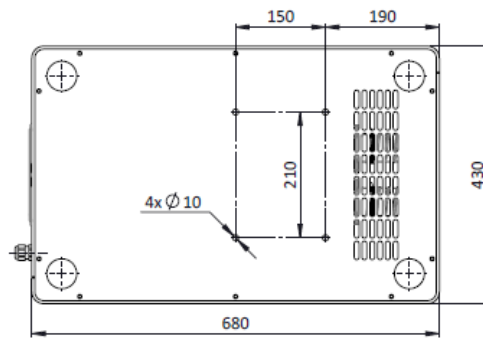
- (1) Electric axial fan
- (2) Electric fan cable clamp [M16]
- (3) Blower cable clamp [M20]



Model	Weight [kg]
IH3	17.2

DIMENSIONS (IH4)

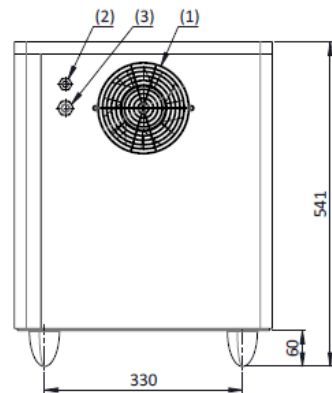
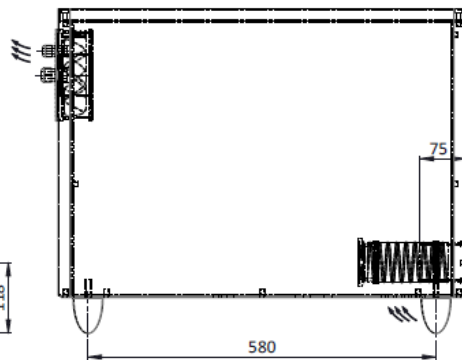
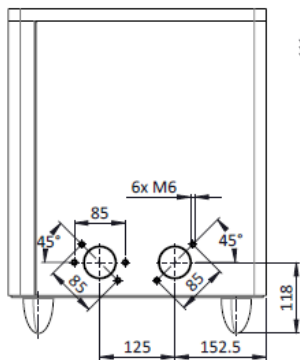
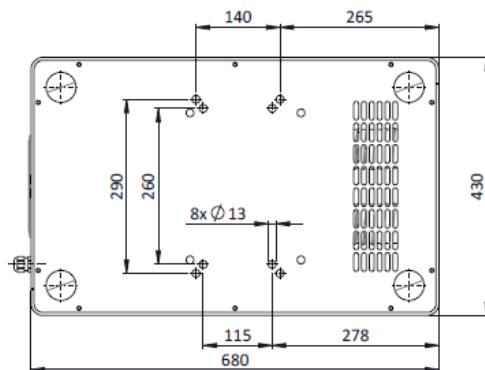
- (1) Electric axial fan
- (2) Electric fan cable clamp [M16]
- (3) Blower cable clamp [M20]



Model	Weight [kg]
IH4	27.7

DIMENSIONS (IH5)

- (1) Electric axial fan
- (2) Electric fan cable clamp [M16]
- (3) Blower cable clamp [M20]



Model	Weight [Kg]
IH5	28.0

SOUNDPROOF CABINS – IH7R - IH7 - IH8 - IH9 - IH10 - IH11 - IH12 - IH13

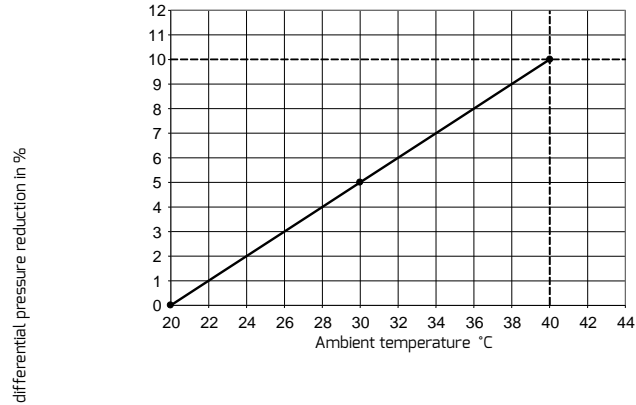
CHARACTERISTICS:

- Noise reduction 10 dB(A) max.

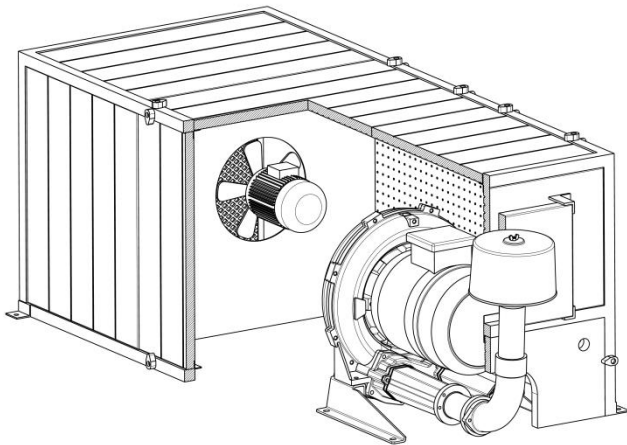
- Structure in aluminium blocks.
- Removable panels with block-panel system.
- Arranged with electric axial fan for removal of heat generated by the motor and blower.
- Not suitable for outdoor installation without adequate protection.

PERFORMANCE OF BLOWERS (MOR IE2 Wide Range version) INSTALLED IN SOUNDPROOF CABIN

- Reduce the max. pressure differential specified on the blower data sheet by 10% for room temperature values $\leq 20^{\circ}\text{C}$
- For room temperature values $> 20^{\circ}\text{C}$, further downgrade as indicated in the following graph

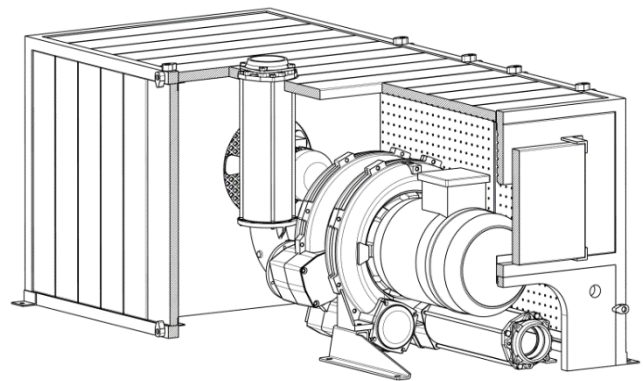


IH7R-IH7-IH9-IH10-IH13

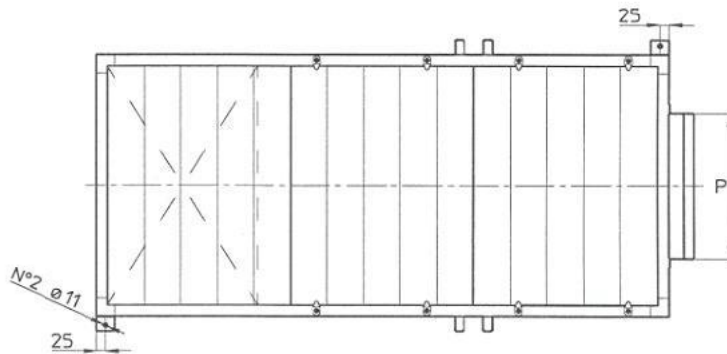
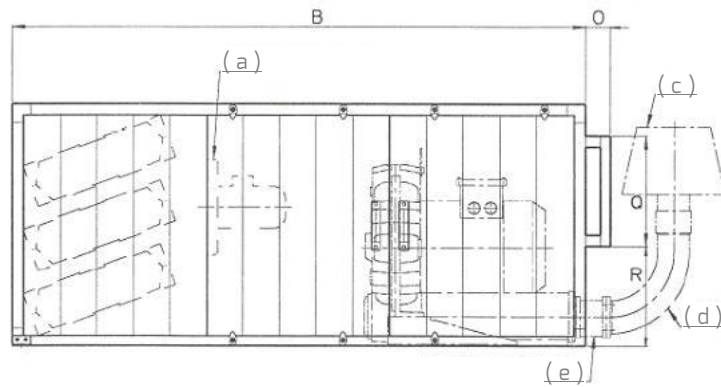
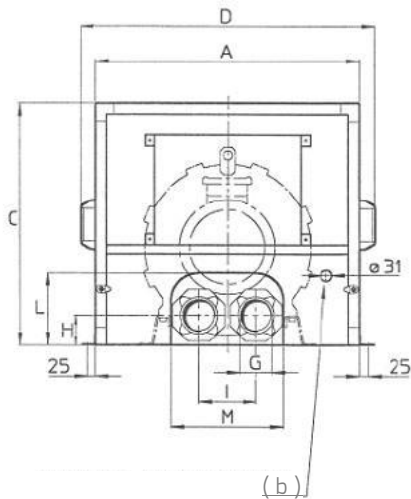


IH8-IH11-IH12

ELECTRIC FAN CHARACTERISTICS



	IH7R-IH7-IH8-IH9-IH10-IH11-IH12-IH13	
Frequency [Hz]	50	60
Power [kW]	0.12	0.14
Power supply [V $\pm 10\%$]	230/400	275/480
Cos φ	0.69	0.69
Nom. absorption [A]	0.70 / 0.44	
Protection	IP 55	
Insulation	Class F	
Poles	2	
Phases	3	



- (a) Electric axial fan
- (b) Electrical cables input
- (c) Accessory FL
- (d) Accessory CA
- (e) Spacer¹

DIMENSIONS (IH7R-IH7-IH9-IH10-IH13)

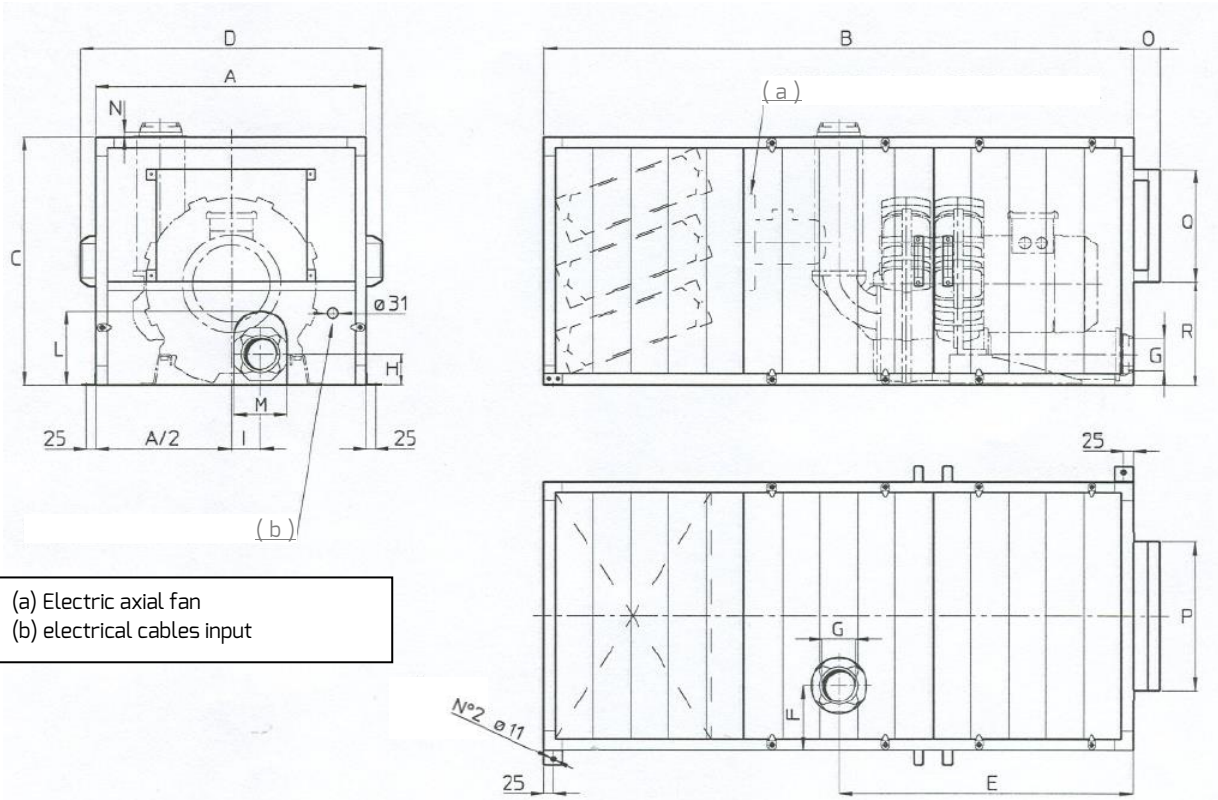
Model	Blower type	Spacer ¹	A	B	C	D	G	H	I	L	M	O	P	Q	R	[Kg]
IH7R	K07R-MD	1035K0710840	720	1565	660	805	2"	82	155	160	270	70	400	300	280	64
	K08R-MD	1035K0710840														
IH7	K07-MS	-	720	1565	660	805	3"	82	155	197	305	70	400	300	280	64
	K08-MS	103520100001 ²														
IH9	K07-TS	-	720	1565	660	805	4"	98	182	225	375	70	400	300	280	64
	K08-TS	-														
IH10	K09-MS/MD	1035K0970001 ³	720	1615	760	805	4"	96	182	225	375	90	450	390	280	92
	K10-MS/MD	1035K0970001 ³														
	K11-MS/MD	1035K0970001 ³														
	K12-MS/MD	1035K0970001 ³														
IH13	K09-TS	-	720	1615	800	805	5"	106	210	255	440	90	450	390	310	94
	K10-TS	-														
	K11-TS ⁴	-														
	K12-TS ⁴	-														

¹ Required for use of filter "FL"

² Required only for blower K08-MS with 9.2 kW electric motor

³ Required only for blower K09/K10-MS with 9.2 kW and 11 kW, K11/K12-MS with 15 kW and 18.5 kW, K12-MD with 15 kW electric motor

⁴ Not applicable with 22 kW motor



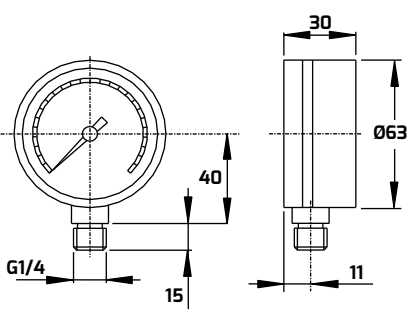
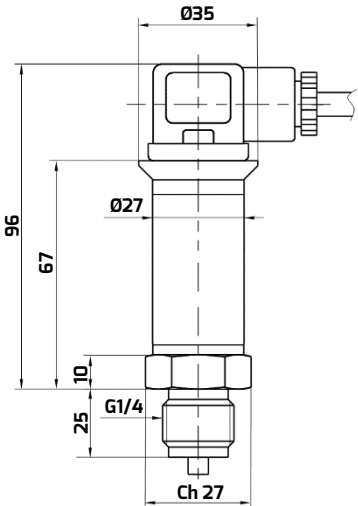


DIMENSIONS (IH8-IH11-IH12)

Model	Blower type	A	B	C	D	E	F	G	H	I	L	M	N	O	P	Q	R	[Kg]
IH8	K07-TD	720	1565	660	805	833	173	3"	82	77.5	197	150	13	70	400	300	280	64
	K08-TD																	
IH11	K09-TD	720	1615	760	805	962	146	4"	96	98	225	176	21	90	450	390	280	92
	K10-TD																	
IH12	K11-TD	720	1615	760	805	962	146	4"	91	128	218	176	28	90	450	390	280	92
	K12-TD																	


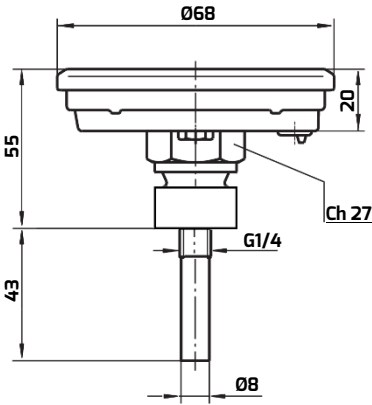
ACCESSORIES SUITABLE FOR ATEX ENVIRONMENT

PRESSURE MEASUREMENTS

	MECHANICAL	ELECTRONIC
	 <p>BOURDON The Original by Baumer</p> <p>EN-837 PED Lloyd's Register IP 65 Ex</p>	 <p>IP 65 IP 67 Ex Approved</p>
Model	MC030 MA040	TC420 TC010 TA420 TA010
Characteristics	Bourdon tube pressure gauge in steel, ideal for industrial-type use	Pressure transducer, accurate and reliable, suitable for use in heavy industrial environments. Allows acquisition of status and control of the system in question
ATEX classification	II 2 GDc T6	II 1 GD – Ex ia IIC T5
Range	0 ... 1000 mbar -1000 ... 0 mbar	0 ... 1000 mbar -1000 ... 0 mbar
Accuracy	1.6% FS	<0.3% FS ¹
Mechanical connection	G1/4	G1/4
Power supply	-	14-28 VDC
Output signal		4-20 [mA] 0-10 [V] 4-20 [mA] 0-10 [V]
Electrical connection	-	DIN 43650 plug
Protection	IP 65	IP 65
Dimensions	 <p>Dimensions: 30, 40, 15, 11, 063, G1/4</p>	 <p>Dimensions: 96, 67, 10, 25, 035, 027, 11, G1/4, Ch 27</p>

¹ The accuracy decreases by 0.6% FS every 10°C above 100°C

TEMPERATURE MEASUREMENTS

	MECHANICAL
	
Model	TE0160
Characteristics	Bimetallic thermometer for industrial use in stainless steel
ATEX classification	II 2 GDc Tx
Range	20°C ... 140°C
Accuracy	1% FS
Mechanical connection	G1/4
Power supply	-
Output signal	-
Electrical connection	-
Protection	IP 65
Dimensions	

FILTER

A device that stops particles of dust or debris carried by the gas, protecting the side channel blower as well as possible adjustment and safety devices. To be used with non-aggressive gases, such as manufactured gas (carbon monoxide), methane (natural gas) and LPG (liquefied petroleum gas).



Characteristics:

- Casing in cast aluminium (dimensions 230mm x 150mm)
- Filter element in washable synthetic material (viledon).
- Standard degree of filtration: 20 µm
- Filtering surface area: 10650 mm²
- Possible vertical installation
- Supplied with gaskets and screws for connection to the system
- Arranged for pressure sampling points upstream and downstream of the cartridge (G 1/4")
- EC approval according to EN 126
- In conformity with Directive 2009/142/EC (Gas Directive)
- In conformity with the 97/23/EC (PED)

Available on request:

- degree of filtration 50 and 10 µm.
- version treated (cataphoresis) for compatibility with work fluid containing H₂S

FILTER	Model	Flanged connections	Filtration degree [µm]	Weight [kg]	CARTRIDGE	Model	Filter	Dimensions	Weight [g]
	FF40J10	DN 40	10	2,55		25CF10M	FF40J10	140 x 105 x 35	56
FF40J20	20		25CF20M		FF50J10				
FF40J50	50		FF40J20						
FF50J10	DN 50	10	25CF50M	FF50J20					
FF50J20		20	FF40J50						
FF50J50		50	FF50J50						

ANTIVIBRATION JOINTS

A device allowing the machine to be uncoupled from the system, preventing the transmission of vibration and allowing the adjustment of any misalignments.



Characteristics:

- In AISI 316L stainless steel
- Anti-twisting grooving to avoid problems during assembly
- Supplied with gaskets and screws for connection to the system

Mod	DN	PN	mod SCL	Weight [kg]
25FM6X.	50	16	K05MS Atex 2G - Atex 2G/3G	8
			K06MS Atex 2G - Atex 2G/3G	
25FM5X.	40	16	R20-MD Atex 2G - Atex 2G/3G	7
			R30-MD Atex 2G - Atex 2G/3G	
			R40-MD Atex 2G - Atex 2G/3G	