

## P20 SERIES - ALUMINUM

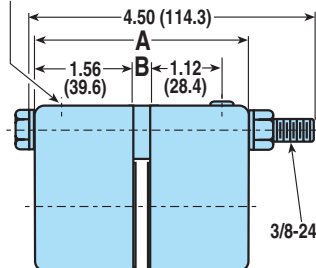
### DOUBLE ACTING

FIXED MOUNT - FIXED DISC

Accommodates disc thickness: 5/32" 1/4" 3/8" 1/2"

Weight 2.0 lbs. .91 kgs.

1/8-27 NPT PORT



MODEL CODE	DISC THK.	A	B	OPTIONS / DESCRIPTION	ASSEMBLY NUMBER
P20DA	5/32"	3.41"	.281"	Double Acting	0720-0000
P20DAR	5/32"	3.41"	.281"	Double Acting, Retractable Pistons	0728-0000
P20DB	1/4"	3.50"	.375"	Double Acting	0721-0000
P20DBR	1/4"	3.50"	.375"	Double Acting, Retractable Pistons	0729-0000
P20DL	3/8"	3.62"	.500"	Double Acting	0720-0013
P20DLR	3/8"	3.62"	.500"	Double Acting, Retractable Pistons	0729-0001
P20DE	1/2"	3.75"	.625"	Double Acting	0725-0000
P20DER	1/2"	3.75"	.625"	Double Acting, Retractable Pistons	0719-0000

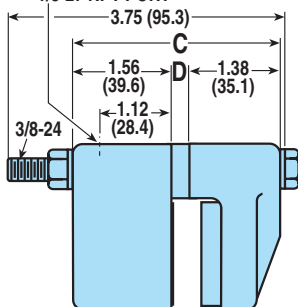
### SINGLE ACTING

FIXED MOUNT - FLOATING DISC

Accommodates disc thickness: 5/32" 1/4" 3/8"

Weight 1.5 lbs. .68 kgs.

1/8-27 NPT PORT



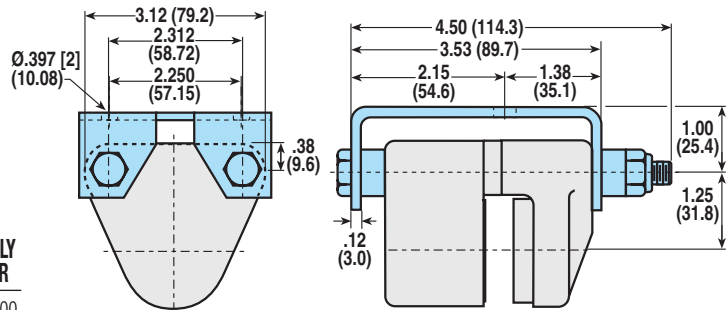
MODEL CODE	DISC THK.	C	D	OPTIONS / DESCRIPTION	ASSEMBLY NUMBER
P20SA	5/32"	2.94"	—	Single Acting	0724-0000
P20SB	1/4"	3.03"	.093"	Single Acting	0722-0000
P20SL	3/8"	3.16"	.219"	Single Acting	0722-0002

### SINGLE ACTING WITH FLOATING BRACKET

FLOATING MOUNT - FIXED DISC

Accommodates disc thickness: 5/32" 1/4"

Weight 2.0 lbs. .91 kgs.

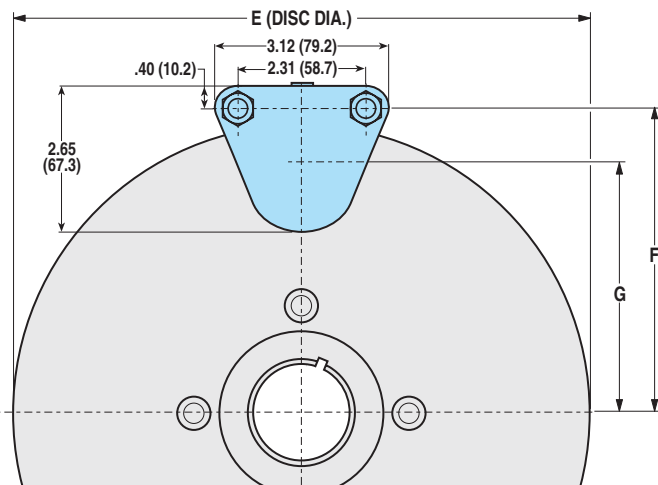


See SINGLE ACTING dimensional drawing for additional measurements

MODEL CODE	DISC THK.	C	D	OPTIONS / DESCRIPTION	ASSEMBLY NUMBER
P20SAF	5/32"	2.94"	—	Single Acting, Floating Bracket	0724-0001
P20SBF	1/4"	3.03"	.093"	Single Acting, Floating Bracket	0722-0001

### MOUNTING DIMENSIONS

Disc Diameter	E	6.313"	8"	10"	12"	16"
	F	3.531"	4.375"	5.375"	6.375"	8.375"
Braking Radius	G	2.281"	3.125"	4.125"	5.125"	7.125"



### BRAKE MODEL LETTER CODES

<b>A</b> 5/32" Thick Disc	<b>E</b> 1/2" Thick Disc	<b>P</b> Pneumatic Brake
<b>B</b> 1/4" Thick Disc	<b>F</b> Floating Bracket Mount	<b>R</b> Retractable Piston(s)
<b>D</b> Double Acting	<b>L</b> 3/8" Thick Disc	<b>S</b> Single Acting

CALIPER  
DISC  
BRAKES

FEATURES

APPLICATIONS

SELECTION  
GRAPHS

PNEUMATIC  
BRAKES

P10

P20

P220

HYDRAULIC  
BRAKES

H10

H20

H220

H220I

H441

H960

HYDRAULIC/  
MECHANICAL  
BRAKE  
COMBOS

H/ME20

H/ME220

MECHANICAL  
BRAKES

ME10

ME20

ME220

MB3

SPRING  
APPLIED  
BRAKES

FS20

FS220

FS220I

FS595

DISCS  
HUBS &  
BUSHINGS

TENSION  
CONTROL  
COMBINATIONS

INTENSIFIER

SELECTION

WORKSHEET