

PCD3.A465

16 digital outputs, 0.5 A for each

Low cost output module with 16 transistor outputs
5 ... 500 mA, with short-circuit protection.

The individual circuits are electrically connected; the voltage range is 10 ... 32 VDC.

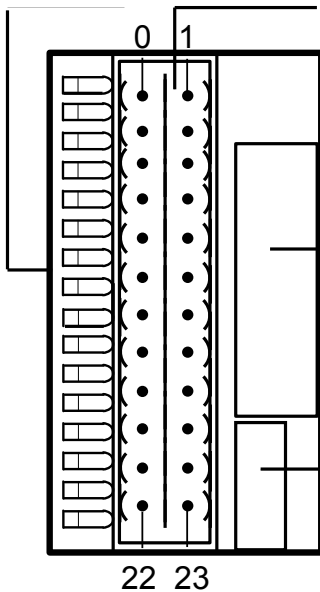


Technical data

Number of outputs	16, electrically connected
Output current	5 ... 500 mA (leakage current max. 0,1 mA.) Within the voltage range 5 ... 24 VDC, the load resistance should be at least 48 Ω
Short circuit protection	yes
Total current per module	8 A on 100 % duty cycle
Operating mode	Source operation (positive switching)
Voltage range	10...32 VDC, smoothed, max. 10 % residual ripple
Voltage drop	≤ 0,3 V at 0,5 A
Output delay	typically 50 μs, max. 100 μs for resistive load
Resistance to interference acc. to IEC 801-4	4 kV under direct coupling 2 kV under capacitive coupling (whole trunk group)
Internal current consumption (from +5 V bus)	max 10 mA (all outputs = "1") typically 8 mA
Internal current consumption (from V+ bus)	0 mA
External current consumption	Load current
Terminals	Pluggable 24-pole spring terminal block (4 405 4956 0), for Ø up to 1 mm ²

LEDs and connection terminals

LED 0...15 Terminals

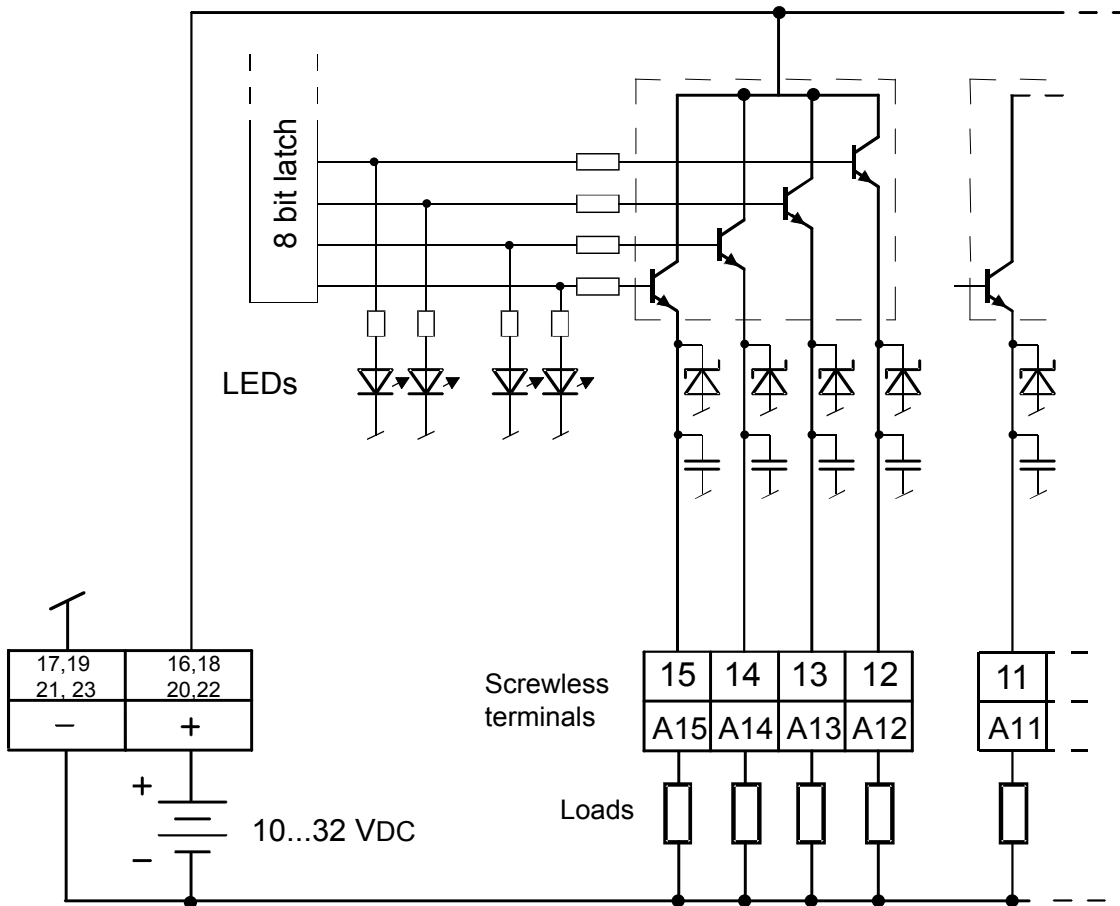


A	A0	0	1	A1
	A2	2	3	A3
	A4	4	5	A5
	A6	6	7	A7
	A8	8	9	A9
	A10	10	11	A11
	A12	12	13	A13
	A14	14	15	A15
	+	16	17	-
	+	18	19	-
	+	20	21	-
	+	22	23	-

PCD3. A465
16 Tr. Outputs 0.5A/24VDC

CE

Output circuits and terminal designation



Watchdog: This module can be used on all base addresses; there is no interaction with the watchdog on the CPUs.



I/O modules and I/O terminal blocks may only be plugged in and removed when the Saia PCD® and the external +24 V are disconnected from the power supply.

Ordering information

Type	Short description	Description	Weight
PCD3.A465	16 digital outputs for 0.5 A each	Digital output module, 16 outputs, transistors, 10...32 VDC/0.5 A, connection with spring terminals	80 g

Accessories

Type	Short description	Description	Weight
4 405 4956 0	Plug-in, type C	Plug-in I/O spring terminal block, 2 × 12-pole up to 1.0 mm ² , labelled 0 to 23, for modules with 16 I/Os or relay module PCD3.A251, connector type "C"	15 g

Saia-Burgess Controls AG

Bahnhofstrasse 18 | 3280 Murten, Switzerland
 T +41 26 580 30 00 | F +41 26 580 34 99
 www.saia-pcd.com

support@saia-pcd.com | www.sbc-support.com