

FEATURES

Input voltage
115 - 230 Vac
(90 ÷ 264 Vac)

Input current
2,5 A Max

Input frequency
50-60 Hz
(47÷63 Hz)

Efficiency
85% (typ.@Pout=nominal)

Switching operating frequency
60KHz typ.

Power factor
=> 0,9

Input protections

- Fuses for Input Overcurrent Protection
- EMI filter
- Inrush Current Limitation
- Input Undervoltage Protection

Leakage current to GND
< 3,5mA-rms at 250 Vac, 50 Hz

See table for

- Output voltages and currents
- Line and load regulation
- Output ripple and noise
- Capacitive loading

Output protections

- Short circuit protection
- Overload protection
- Overtemperature protection

Hold up time
> 16 ms

Rise Time
0,2 ÷ 20 ms

Start up time
< 500 ms

Output power
Max 140W

Operating temperature
0 ÷ +70 °C

Temperature power derating
2%/°C (50÷70°C)

Storage temperature
-20° ÷ +80° C

Humidity
Operating : 20÷90% RH,
Non-condensing
Storage : 10÷95% RH,
Non-condensing

Cooling
External ventilation required.

Dielectric withstand voltage

- Input - Output = comply with EN 60950-1
- Input - P.E. = comply with EN 60950-1
- Output - P.E. = comply with EN 60950-1

Isolation

- Input - P.E. > 200 Mohm
- Output - P.E. > 200 Mohm

Connections

- AC inlet = Standard inlet socket 10A/250V, UL/CSA/VDE approved (IEC 320 Type)

- JA = Molex 15-24-4048, 4 pins female connector
- JB = Tyco 2-106527-0, 20 pins female connector
- JC = Tyco 2-106527-4, 4 pins female connector

MTBF

- (MIL-HDBK-217F) 150,000 hours of continuous operation at 55° C, maximum-output load and nominal AC input voltage.

Comply with:

Conducted emissions

- EN 61204-3 - EN 55011

Radiated emissions

- EN 61204-3 - EN 55022

Limits for harmonic current emission

- EN 61204-3 - EN 61000-3-2 - class A

Voltage fluctuation and flicker

- EN 61204-3 - EN 61000-3-3

Radio frequency amplitude modulated electromagnetic field

- EN 61204-3 - EN 61000-4-3

Power frequency magnetic field immunity

- EN 61204-3 - EN 61000-4-8

Electrostatic discharge immunity

- EN 61204-3 - EN 61000-4-2 - level

Conducted immunity

- EN 61204-3 - EN 61000-4-6

Electric fast transient immunity

- EN 61204-3 - EN 61000-4-4

Surge Immunity

- EN 61204-3 - EN 61000-4-5

Voltage dips and immunity

- EN 61204-3 - EN 61000-4-11

Safety

- EN 60950-1
- UL 60950-1 ed. 2006
- CAN/CSA-C22,2N° 60950-1-03
- ROHS
- CE

U.S.A. and CANADA

- FCC part 15 class B

FEATURES TABLE

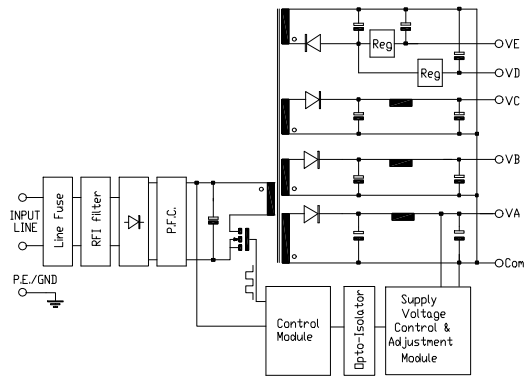
OUT	Vout Volts	Iout nominal Ampere	Imin Ampere	I _{max} * Ampere	Line reg. %	Load reg. lo 20÷100%	Ripple & Noise (0÷20MHz) mVpp	Capacitive Load (uF)
A (sw)	+3.3	8	0	8	±0.5	±5%	50	5000
B (sw)	+5	14	0	14	±0.5	±5%	50	6000
C (sw)	+12	2.7	0	7.5	±0.5	±5%	120	2000
D (sr)	-5	0.3	0	0.3	±0.5	±10%	100	350
E (sr)	-12	0.8	0	0.8	±0.5	±10%	120	350

* I_{max} output values can be reached only if total output power is less than the declared Max value.

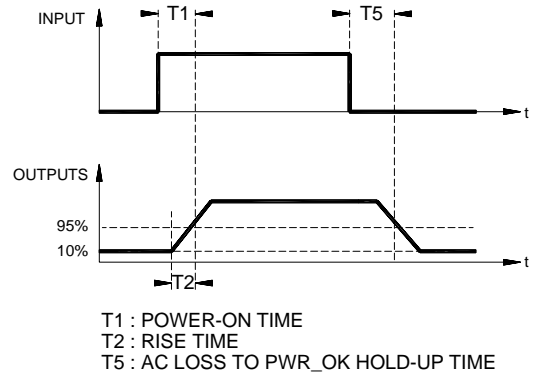
POWER SUPPLY VIEW



BLOCK DIAGRAM



SIGNALS DIAGRAM



DIMENSIONS AND CONNECTIONS

