





**intercontec**  
products

# 923 Receptacle Angled

**speedtec**

rotatable, 6-pin

Flange 25x25

Earth-to-Housing Connection according to VDE 0627

Axial Sealing

TE part number: B G C 106 N 00 00 1116 000

IC reference number: B E D C 106 NN 00 00 1116 000



### Technical Data

number of pins 6 (5+PE)  
temperature range -20 °C to 130 °C  
protection type IP 66/67 when connected

### Electrical Data

rated current max. 30 A\*  
rated voltage 630 V (AC/DC)  
rated insulation voltage (L-L) 6000 V

mating cycles 500

### Data according to VDE 0110/EN61984, Paragraph 6.19.2.2

pollution degree 3  
overvoltage category III  
max. height for operation 2000 m

### Material

housing zinc diecast, chromated  
insulation insert PA 6.6 mod., UL 94/ V0  
seals FKM

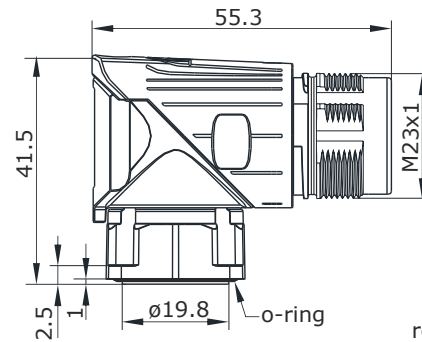
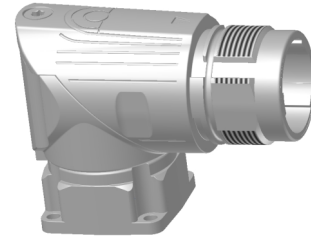
### Contacts (not part of product contents)

### Tools (not part of product contents)

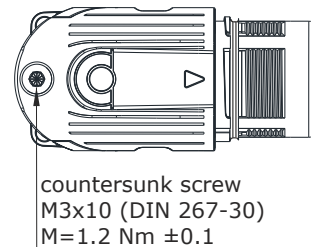
digital crimping tool order code: C0.236.00  
(analog crimping tool order code: C0.201.00)

### Accessoires (not part of product contents)

cylinder screw M3x8<sup>1)</sup> order code: D1.346.41  
for flange assembly



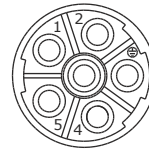
rotating area  
to the left  
222° ±3°



rotating area  
to the right  
103° ±3°

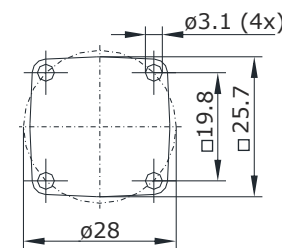
### Main Dimensions

receptacle angled, rotatable

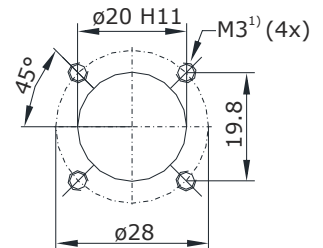


### Contact Arrangement

mating view



**Main Dimensions**  
flange



**Mounting Hole**

\* for max. wire cross-section  
pay attention to the  
cross-section of used contacts

<sup>1)</sup> for M3 bore use special screw with  
thin head diameter, see accessoires  
possible also with thread M2.5

Y6-F529-000-0EN issued: 17.06.15/Sa; modified: 06.09.2017/MK

© 2017 TE Connectivity

TE Connectivity, TE connectivity (logo), intercontec (logo) and speedtec are trademarks.

While TE Connectivity (TE) has made every reasonable effort to ensure the accuracy of the information in this presentation, TE does not guarantee that it is error-free, nor does TE make any other representation, warranty or guarantee that the information is accurate, correct, reliable or current. TE reserves the right to make any adjustments to the information contained herein at any time without notice. TE expressly disclaims all implied warranties regarding the information contained herein, including, but not limited to, any implied warranties of merchantability or fitness for a particular purpose. The dimensions in this article are for reference purposes only and are subject to change without notice. Specifications are subject to change without notice. Consult TE for the latest dimensions and design specifications.

TE Connectivity Industrial GmbH  
Bernrieder Straße 15  
94559 Niederwinkling, Germany  
+49 9962 2002 - 0  
[intercontec@te.com](mailto:intercontec@te.com)  
[www.intercontec.biz](http://www.intercontec.biz)

