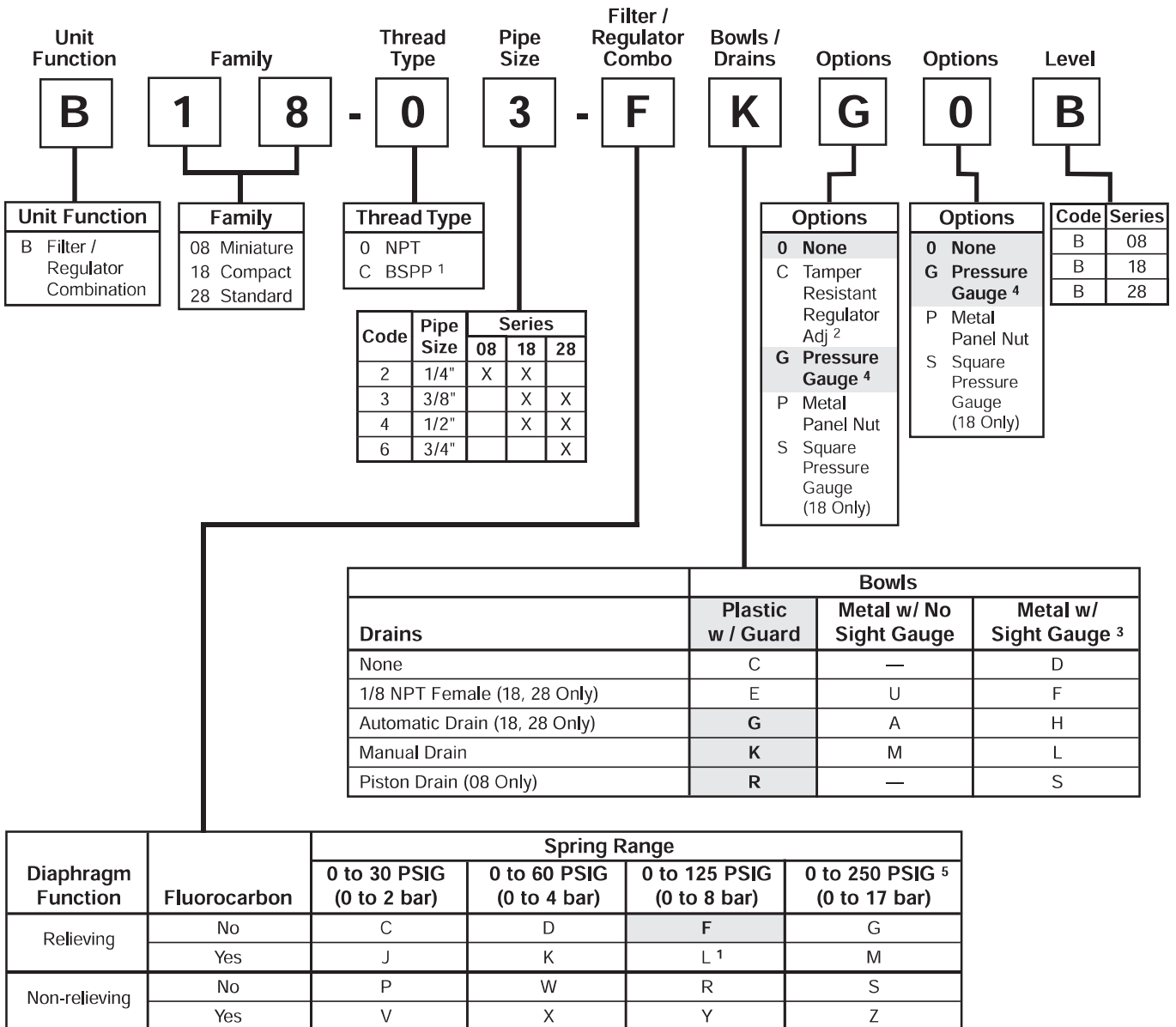


# Filter / Regulator Numbering System

  = "Most Popular"



<sup>1</sup> ISO, R228 (G Series).  
<sup>2</sup> Tamper resistant kit not installed. Kit shipped loose in carton, for 08, 18 & 28 Series.  
<sup>3</sup> B08 Filter / Regulator has an all metal bowl (no sight gauge).  
<sup>4</sup> For 08 Series only: "G" in position 8 or 9 is for unit w/ flush-mounted pressure gauge. Units without gauge have 1/8" threaded gauge ports, and a center back mounted pressure gauge must be ordered separately.  
<sup>5</sup> R08 series operating range 0 to 232 PSIG (1 to 16 bar).

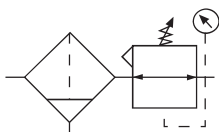
**NOTE: When selecting from the options columns, please enter letters in alphabetical order, for positions 7, 8, 9. For example:**

**B 18-03-F K 0 0 B**

**"F" Series Filters, Type "A" 5 micron elements:** All Wilkerson Type "A" 5 micron elements meet or exceed ISO Class 3 for maximum particle size and concentration of solid contaminants.

**NOTE:**All classes above refer to International Standards Organization (ISO) standard 8573-1, pertaining to maximum particle size and concentration of solid contaminants, and maximum oil content.

# Filter / Regulator B18



## Features

- 5 Micron Filtration
- Balanced Valve Design
- Spring Loaded Diaphragm
- 1/2" NPT / BSPP-G Over-Ported
- Quick-Disconnect Bowl / Bowl Guard
- Light Weight
- High Flow Capacities

## Specifications

Flow Capacity*	1/4	148 SCFM (70 dm <sup>3</sup> /s, ANR)
	3/8	158 SCFM (75 dm <sup>3</sup> /s, ANR)
	1/2	164 SCFM (77 dm <sup>3</sup> /s, ANR)
Adjusting Range Pressure		0 to 30 PSIG (0 to 2 bar)
		0 to 60 PSIG (0 to 4 bar)
		0 to 125 PSIG (0 to 8 bar)
		0 to 250 PSIG (0 to 17 bar)
Gauge Port (2)	NPT / BSPP-G	1/4
Maximum Supply Pressure	Plastic Bowl	150 PSIG (10.3 bar)
	Metal Bowl	250 PSIG (17.2 bar)
Operating Temperature	Plastic Bowl	-13° to 125°F (-25° to 52°C)
	Metal Bowl	-13° to 150°F (-25° to 65.5°C)
Port Size	NPT / BSPP-G	1/4, 3/8, 1/2
Bowl Capacity		1.72 oz
Standard Filtration		5 Micron
Weight		1.17 lb. (0.53 kg)

\* Inlet pressure 145 psig (10 bar). Secondary pressure 91.3 psig (6.3 bar) and 14.5 psig (1 bar) pressure drop.

**"F" Series Filters, Type "A" 5 micron elements:** All Wilkerson Type "A" 5 micron elements **meet or exceed ISO Class 3** for maximum particle size and concentration of solid contaminants.

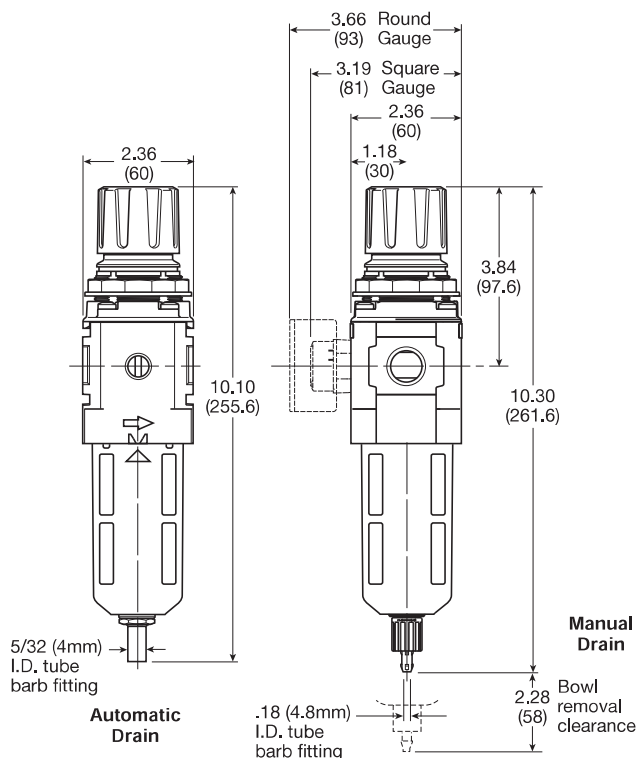
**Air quality:** Within ISO 8573-1: 1991 Class 3 (Particulates)  
Within ISO 8573-1: 2001 Class 6 (Particulates)

## Materials of Construction

Adjustment Knob	Acetal	
Body	Aluminum	
Body Cap	ABS	
Bowl	Plastic Bowl	Polycarbonate
	Metal Bowl	Aluminum
Bowl Guard	Nylon	
Diaphragm Assembly	Nitrile / Steel	
Element Retainer / Baffle	Acetal	
Filter Element	Sintered Polyethylene	
Panel Nut	Acetal	
Seals	Plastic Bowl	Nitrile
	Metal Bowl	Nitrile
Sight Gauge	Metal Bowl	Polyamide (Nylon)
Springs	Main Regulating / Valve	Steel / S.S.
Valve Assembly	Brass / Nitrile	

**⚠ WARNING**

**Product rupture can cause serious injury.  
Do not connect regulator to bottled gas.  
Do not exceed maximum primary pressure rating.**



## CAUTION:

**REGULATOR PRESSURE ADJUSTMENT** – The working range of knob adjustment is designed to permit outlet pressures within their full range. Pressure adjustment beyond this range is also possible because the knob is not a limiting device. This is a common characteristic of most industrial regulators, and limiting devices may be obtained only by special design.

For best performance, regulated pressure should always be set by increasing the pressure up to the desired setting.

Inches (mm)

= "Most Popular"

### Replacement Bowl Kits

- Metal Bowl –
- Sight Gauge, Automatic Drain ..... GRP-96-637
- Sight Gauge, Manual Drain..... GRP-96-636

- Plastic Bowl –
- Bowl Guard, Automatic Drain..... GRP-96-635
- Bowl Guard, Manual Drain..... GRP-96-634

### Replacement Element Kits

- Type "A", 5 Micron..... FRP-96-639
- Retainer, Deflector, and Element Kit ..... FRP-96-641

### Replacement Kits

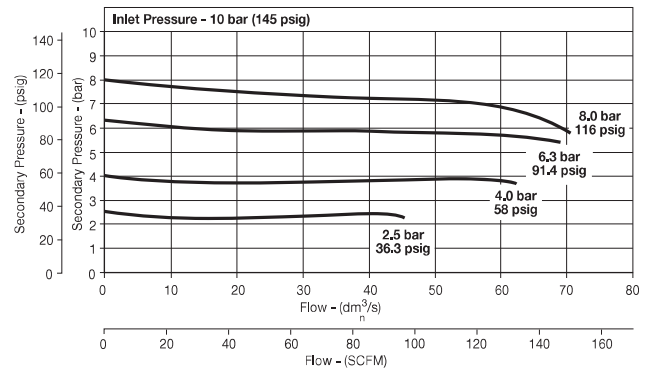
- Adjusting Knob..... RRP-16-340-000
- Diaphragm Assembly –
- Non-relieving ..... RRP-96-657B
- Relieving..... RRP-96-656B

- Spring, Regulating –
- 0 to 30 PSIG (0 to 2.1 bar).....RRP-96-659B
- 0 to 60 PSIG (0 to 4.1 bar).....RRP-96-660B
- 0 to 125 PSIG (0 to 8.6 bar).....RRP-96-661B
- 0 to 250 PSIG (0 to 17.2 bar).....RRP-96-662B

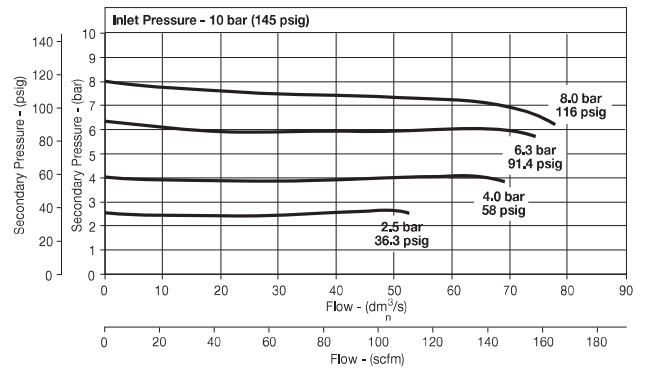
### Accessories

- Automatic Drain –
- Fluorocarbon..... GRP-95-981
- Nitrile..... GRP-95-973
- Drain, Manual Override ..... GRP-96-000
- Manual Drain ..... GRP-96-685
- Panel Mount Nut –
- Aluminum.....RRP-96-673
- Plastic ..... RRP-96-675B
- Gauge, Pressure –
- 50mm (2") round 1/4" center back mount
- 0-30 PSIG / 0-2 bar .....K4520N14030
- 0-60 PSIG / 0-4 bar .....K4520N14060
- 0-160 PSIG / 0-11 bar .....K4520N14160
- 0-300 PSIG / 0-20 bar .....K4520N14300
- 0 to 160 PSIG, 1-3/4" Digital Round,
- 1/4" NPT..... K4517N14160D
- Tamper Resistant Kit..... RRP-96-671
- Tamperproof Lock & Cover Kit..... RPA-96-736
- Sight Gauge Kit..... GRP-96-825
- Wall Mounting Bracket
- L-Type (Body).....GPA-96-604
- L-Type (Bonnet).....GPA-96-606
- T-Type .....GPA-96-602

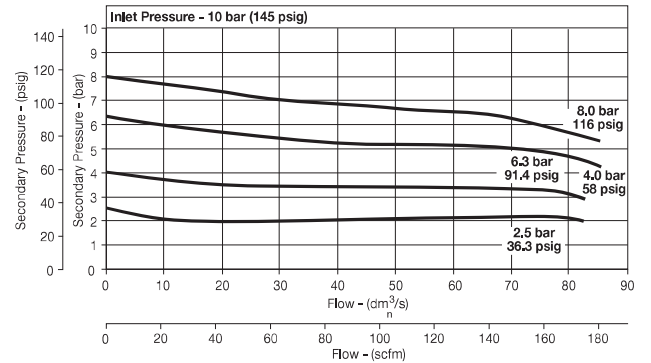
B08 1/4" Filter / Regulator



B18 3/8" Filter / Regulator



B08 1/2" Filter / Regulator



### Ordering Information

Model Type	Port Size	Plastic Bowl / Bowl Guard With Gauge 5 to 125 PSIG (0.4 to 8.6 bar)	Metal Bowl / Sight Gauge With Gauge 5 to 125 PSIG (0.4 to 8.6 bar)
Manual Drain	1/4	B18-02-FKG0B	B18-02-FLG0B
	3/8	B18-03-FKG0B	B18-03-FLG0B
	1/2	B18-04-FKG0B	B18-04-FLG0B
Automatic Drain	1/4	B18-02-FGG0B	B18-02-FHG0B
	3/8	B18-03-FGG0B	B18-03-FHG0B
	1/2	B18-04-FGG0B	B18-04-FHG0B

Options - To order an option supplied with the unit model, add the appropriate coded suffix letter in the designated position of the model number.