



SPX2280



Features

- HART™ digital communication
- Better than +/- 0.5% combined error
- 4 - 20 mA loop-powered output
- 0 - 250 to 0 - 72,500 psi
- Explosion Proof and ATEX/Intrinsically Safe approved
- Meets PED and CE requirements

Benefits

- Configurable via handheld
- Precise repeatable pressure measurements
- Output supplied directly to DCS or PLC
- Customer definable pressure ranges
- Approved for hazardous environments
- Meets new EC requirements

Description

The SPX2280 is a smart industrial 4 - 20 mA pressure transmitter designed for use in hazardous locations. The standard SPX2280 is an all welded construction that features a 1/2-14 NPT male thread for installation. Models are available in PSIG, PSIA and PSIS. Optional pressure fittings and electrical terminations are available. The SPX2280E has explosion proof approval for Class 1, Division I, Groups A, B, C & D. The explosion proof model employs a conduit fitting. The SPX2280S is ATEX/Intrinsically Safe approved for II 1 G 100a Eex ia IIC, Zones 0 and 1. The ATEX/intrinsically safe models can be supplied with either a conduit fitting or a hermetic 6 pin bendix connector.

Specifications

PERFORMANCE CHARACTERISTICS

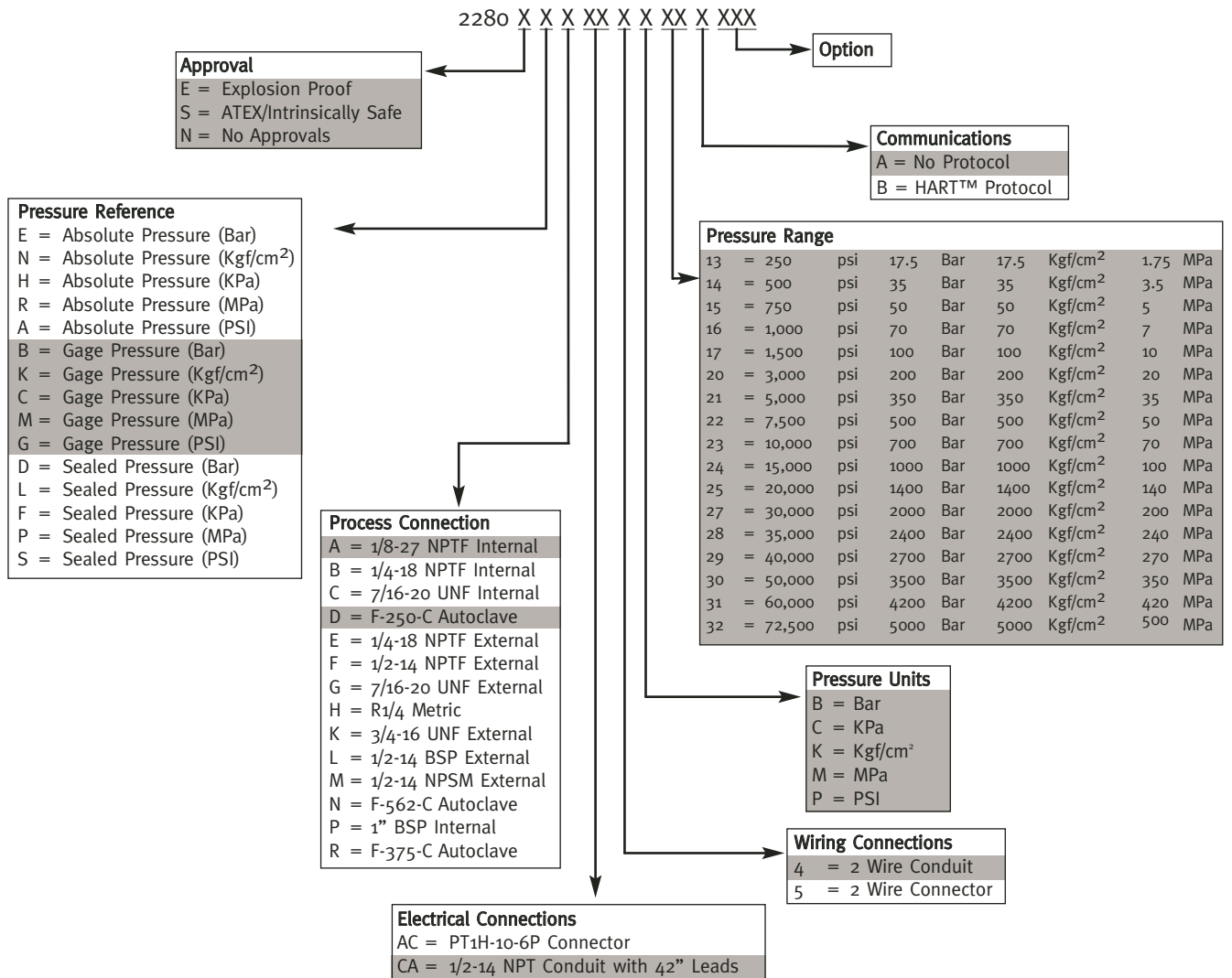
Output: 4 - 20 mA, with optional HART™
Input Voltage: 16 - 36 Vdc (Standard)
 16 - 30 Vdc (ATEX/Intrinsically Safe Applications)
Combined Error: +/- 0.5% FSO
 (Including Linearity, Repeatability & Hysteresis)
Repeatability: +/- 0.1%FSO
Rangability: 3:1 Turndown
Over Pressure: 1.5 X FSO 250 - 30,000 psi,
 1.2 X FSO 35,000 - 72,500 psi
Zero Balance Adjustment Range: +/- 5% FSO maximum
Load Resistance: 500 Ω @ 26 Vdc, 1000 Ω @ 36 Vdc

TEMPERATURE/MECHANICAL CHARACTERISTICS

Operating Range: -20 to 185°F (-29 to 85°C)
Compensated Range: 0 to 150°F (-18 to 66°C)
Effects over Compensated Range on Zero:
 0.01% FS/°F max Typical (0.018% FS/°C)
Effects over Compensated Range on Span:
 0.02% FS/°F max (0.036% FS/°C)
Standard Wetted Parts: 15-5 PH & 17-4 PH SST
Burst Pressure:
 250 psi: 10 X FSO
 500 - 3,000 psi: 5 X FSO
 5,000 - 10,000 psi: 3 X FSO
 15,000 - 30,000 psi: 2.5 X FSO
 40,000 - 72,500 psi: 1.5 X FSO



Ordering Guide



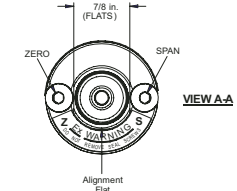
Shaded sections refer to standard configurations. For additional options please consult factory.

Dynisco LLC
38 Forge Parkway
Franklin, MA 02038 (USA)

Phone +1 508 541 9400
Fax +1 508 541 6206
Email infoinst@dynisco.com

Hotline 1-800-Dynisco

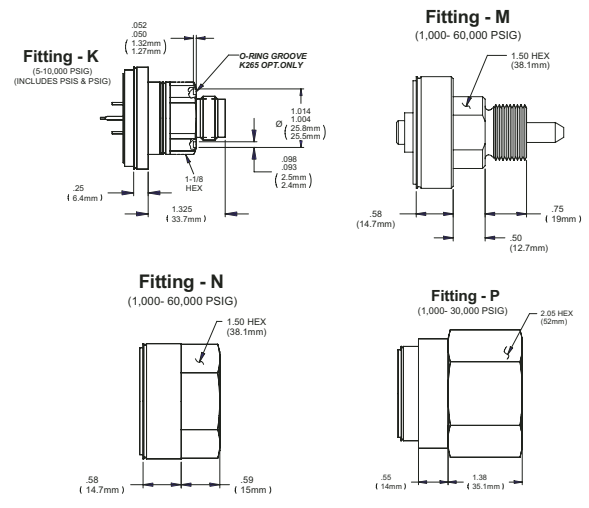
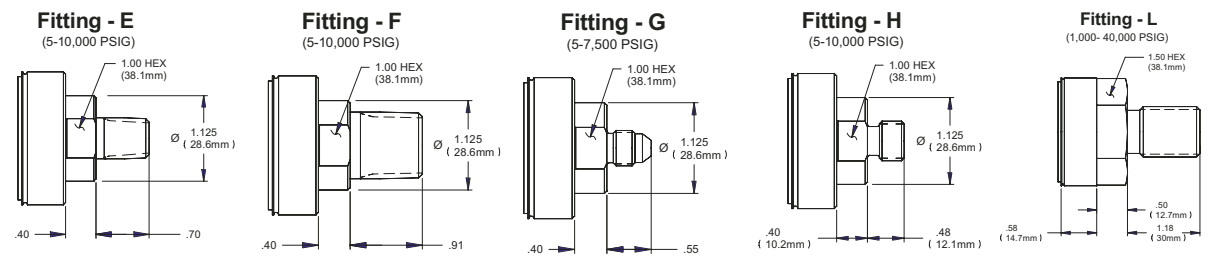
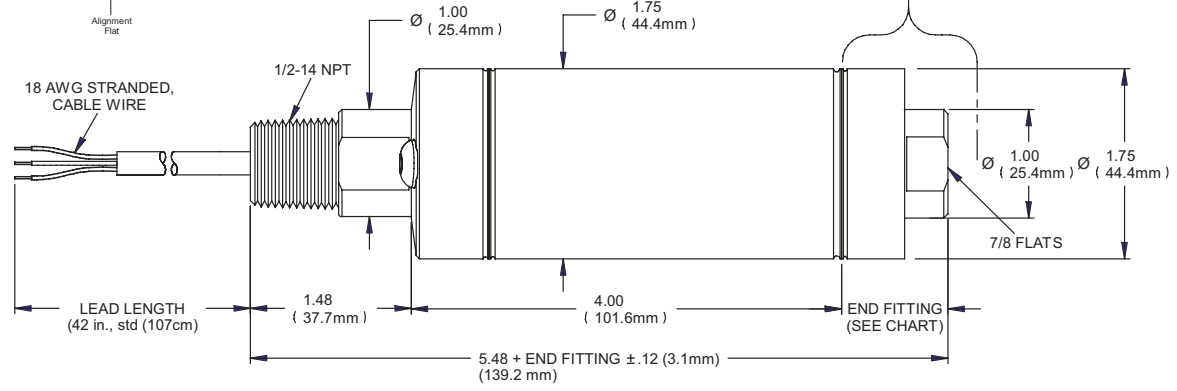
www.dynisco.com



Cable Wiring	
Color	Function
RED	E+
BLACK	E-
GREEN	GROUND
ORANGE	Rel +
BLUE	Rel -

- A Ftg = 5 - 20,000 PSIG
- B Ftg = 5 - 20,000 PSIG
- C Ftg = 5 - 10,000 PSIG
- D Ftg = 5 - 60,000 PSIG
- Where; -R Ftg = 5 - 60,000 PSIG

Fitting - R (and Fittings A thru D)
(PRESSURE LISTED ABOVE)



Pressure Fitting Quick Reference		
Suffix	DESCRIPTION	TYPE
-- A	1/8-27 NPTF	INT. Thread
-- B	1/4-18 NPTF	
-- C	MS33649-4	
-- D	F-250-C	
-- E	1/4-18 NPTF	Conduit ftg
-- F	1/2-14 NPTF	
-- G	MS33656-4	
-- H	R 1/4	EXT. Thread
-- K	3/4-16 UNF	
-- L	1/2-14 BSP	
-- M	1/2-14 NPSP	
-- N	F-562-C	INT. Thread
-- P	1" BSP	
-- R	F-375-C	

All dimensions are inches (mm).

Dynisco LLC
38 Forge Parkway
Franklin, MA 02038 (USA)

Phone +1 508 541 9400
Fax +1 508 541 9436
Email infoinst@dynisco.com

Hotline 1-800-Dynisco

www.dynisco.com