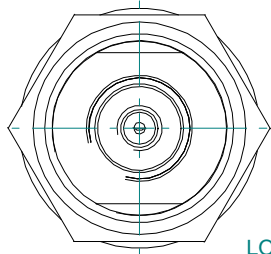


DO NOT SCALE

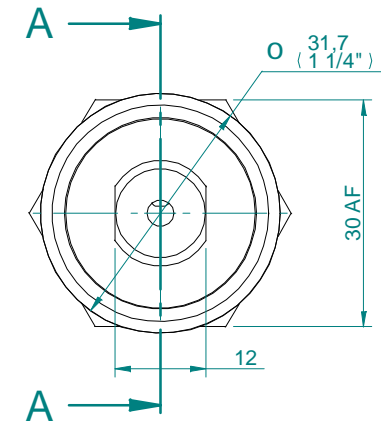
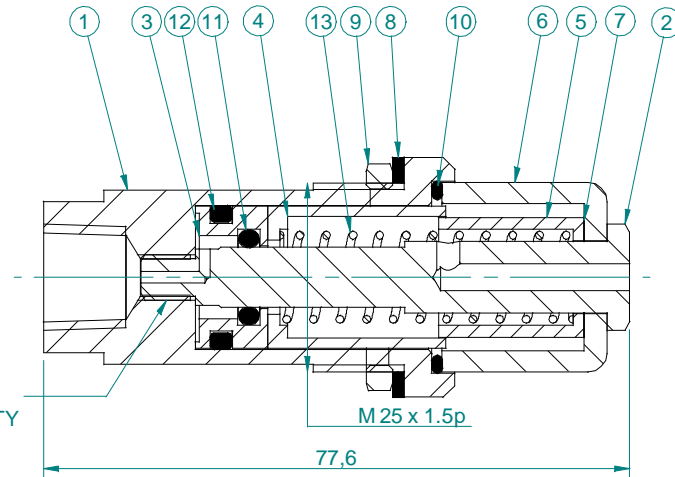
THIRD ANGLE PROJECTION



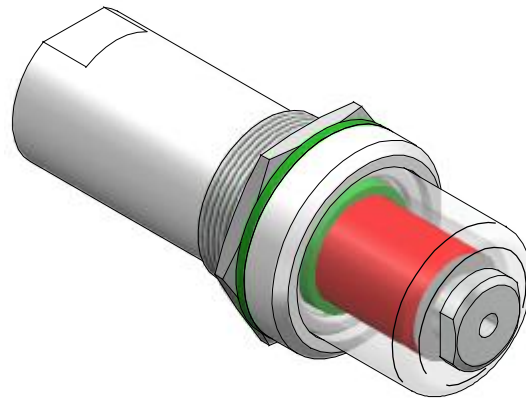
DIMENSIONS IN MILLIMETRES



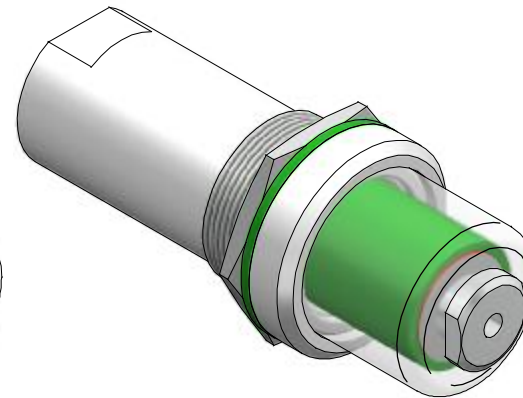
LOCTITE THREADS,  
BUT RETAIN SERVICABILITY



### SECTION A-A



DE-ENERGISED



ENERGISED

**ASSEMBLY**

FIT O-RINGS 11 & 12 TO THE PISTON 3.  
LUBRICATE BODY BORE AND SCREW SLIDING PORTION TO SUIT SEAL MATL.  
FIT PISTON 3 IN VALVE BODY 1.  
FIT SEAL 13 IN BODY RECESS.  
APPLY SHIM 7 TO SLEEVE 5  
FIT OUTER SLEEVE 4, SPRING 13 & SLEEVE 5.  
SEAT LENS 6 INTO BODY RECESS.  
APPLY LOCTITE 243 TO CENTRE SCREW THREAD, FIT AND TIGHTEN (7.3Nm)

OPERATING PRESSURE NOT TO EXCEED 1250 PSI  
TEST PRESSURE NOT TO EXCEED 1800 PSI

STARTING ACTIVATION PRESSURE = 6.5 PSI  
FULL ACTIVATION PRESSURE = 16 PSI

FOR RED ENERGISED / GREEN DE-ENERGISED,  
EXCHANGE O-U0004 & O-U0005  
FOR O-U0009 & O-U0010

Item Number	Title	Quantity	Document Number
1	BODY - 1/4 NPT VISUAL INDICATOR	1	O-U0001/02
2	CENTRAL SCREW - VISUAL INDICATOR	1	O-U0002/02
3	PISTON - VISUAL INDICATOR	1	O-U0003/02
4	SLEEVE - GREEN OUTER - VISUAL INDICATOR	1	O-U0004/-
5	SLEEVE - RED INNER - VISUAL INDICATOR	1	O-U0005/-
6	CLEAR LENSE - VISUAL INDICATOR	1	O-U0006/19
7	SHIM - VISUAL INDICATOR	1	O-U0007/-
8	GASKET - VISUAL INDICATOR	1	O-U0008/24
9	JAM NUT M25	1	120-305
10	ORING	1	BS020
11	ORING	1	BS109
12	ORING	1	BS113
13	SPRING	1	LC-042G-10SS

**NOTES :**

- 1) O-RING MATERIAL CODE 'X' S = NITRILE V = VITON SA = LOW TEMP. NITRILE
- 2) ALL DIMENSIONS NOMINAL UNLESS OTHERWISE STATED.

VALVE TYPES/USED ON



Bifold Fluidpower Limited  
Greenside way, Middleton, Manchester, M24 1SW  
Telephone (44) 0161 345 4777 Fax (44) 0161 345 4780

PROJECT TITLE <b>HS06-VI-X-X</b>		PROJECT No.	
DRAWING TITLE <b>GENERAL ARRANGEMENT</b>		DRAWING No. <b>0-GA0252</b>	REV <b>0</b>
DRAWN STEPHEN HILL	DATE 05.03.10	CHECKED MIKE DENNIS	DATE APPROVED 09.03.10
Copyright © 2000 BIFOLD FLUIDPOWER LTD. All Rights Reserved C.A.D. Produced Drawing DO NOT Change By Hand			

REV	DATE	DRAWN	CHKD	REVISION
	05.03.10	SPH		PRODUCTION ISSUE