

1 Unilift AP12.50.11.A1



: 96010981

1-
F

12 mm,

10 m

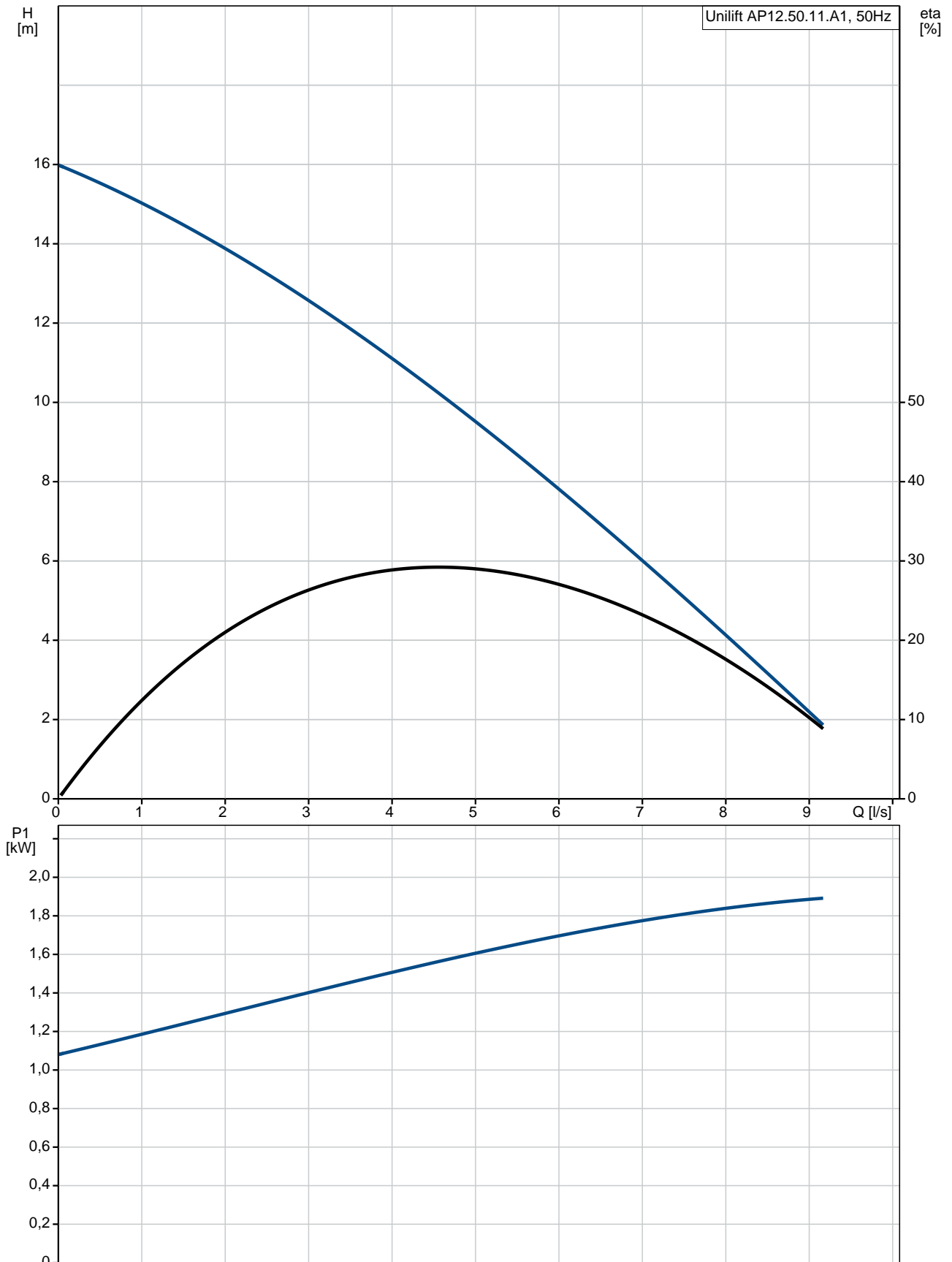
: 0 .. 55 °C

: 998.2 kg/m³

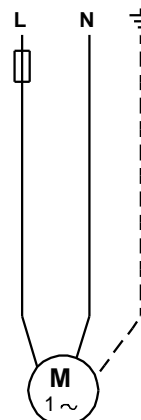
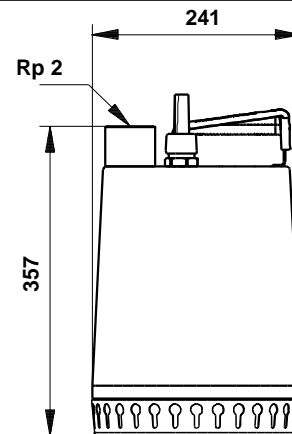
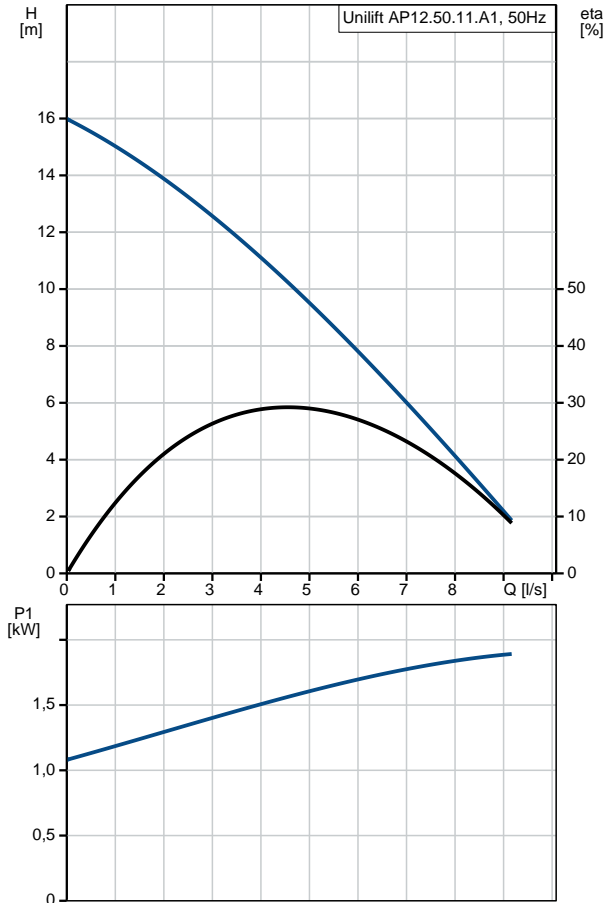
: 12 mm

DIN W.-Nr. 1.4301
AISI 304

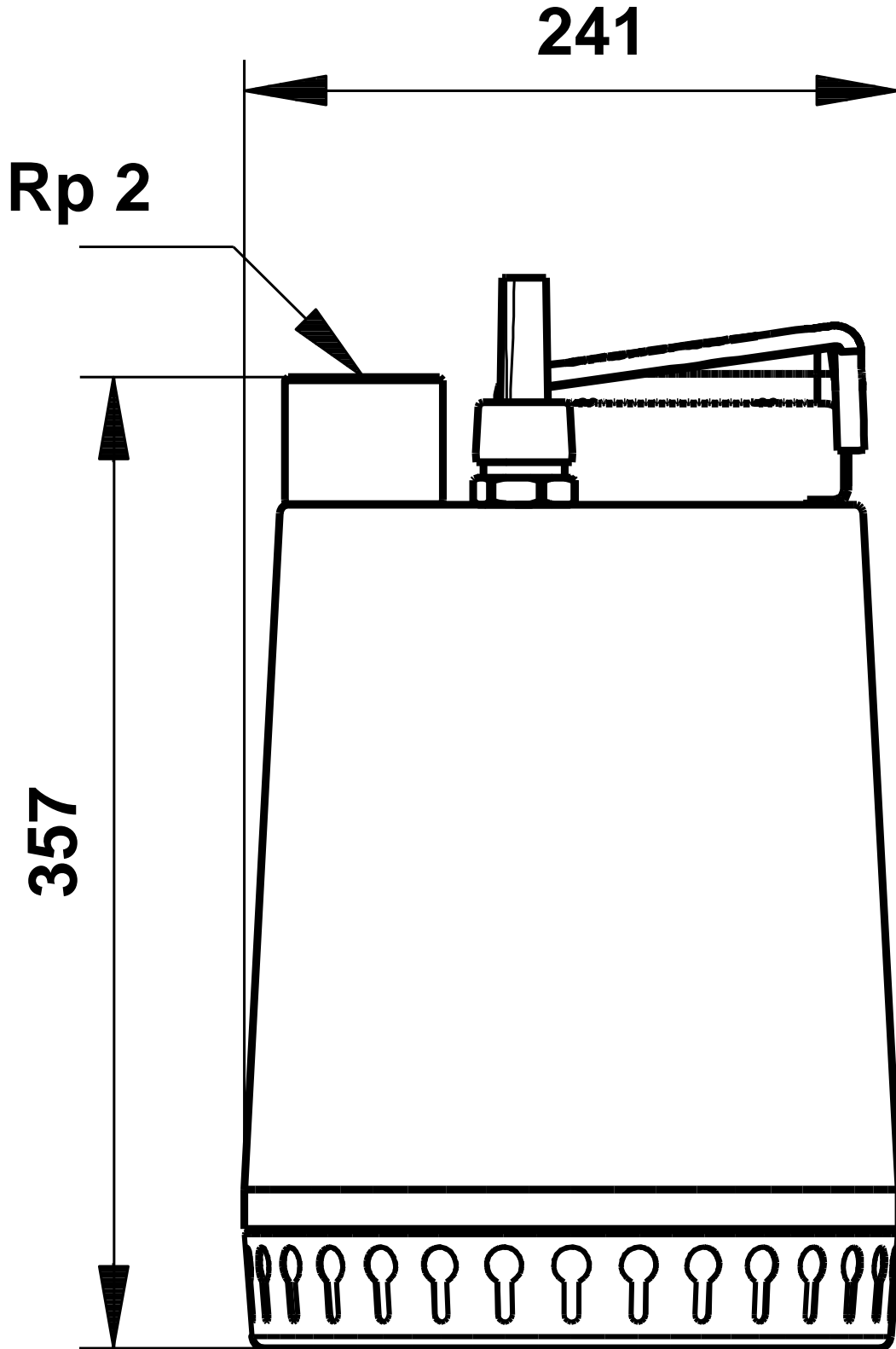
96010981 Unilift AP12.50.11.A1 50 Hz



No.:		Unilift AP12.50.11.A1
EAN		96010981
		5700390901332
		5700390901332
		8.33 l/s
		17 m
		12 mm
		DIN W.-Nr. 1.4301
		AISI 304
		DIN W.-Nr. 1.4301
		AISI 304
		Rp 2
		7 m
		D/S
		0 .. 55 °C
		998.2 kg/m ³
		PSC
- 1:		1.7 kW
P2:		1.1 kW
		50 Hz
		1 x 230 V
		8.5 A
Cos phi -		0.92
		2760 rpm
		20 µF/400 V
(IEC 34-5):		IP68
(IEC 85):		F
		10 m
		SCHUKO
		15 kg
		16 kg
VVS		391313312
RSK		5885781
LVI		4822566
NRF		9045615

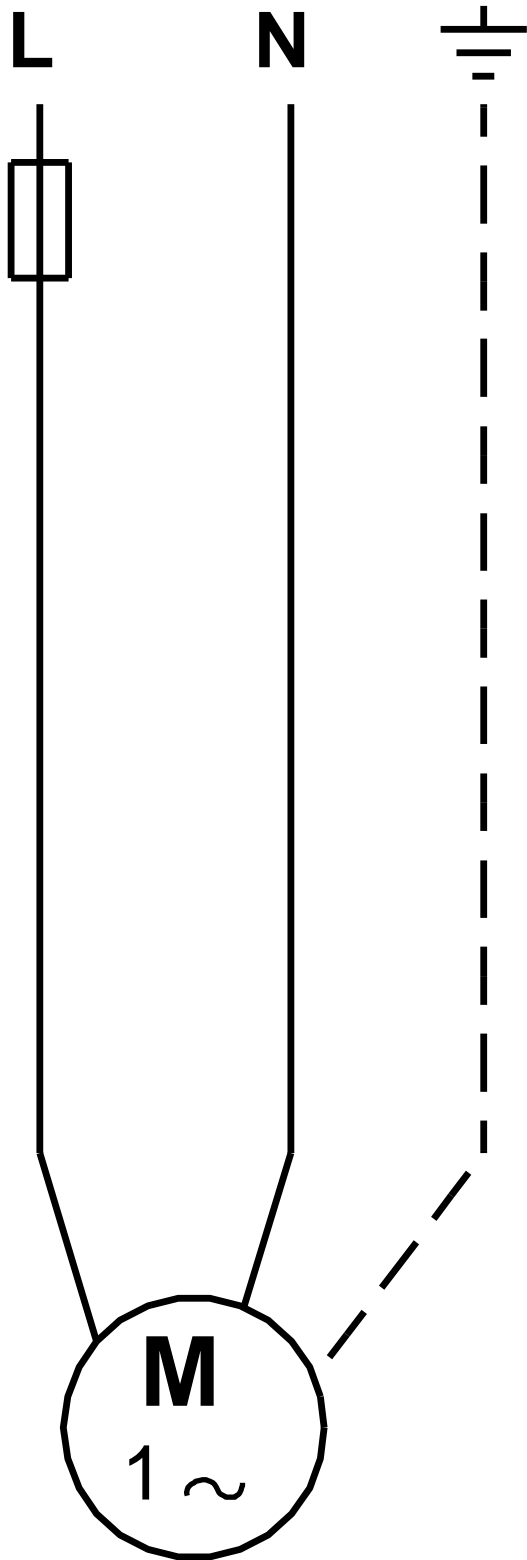


96010981 Unilift AP12.50.11.A1 50 Hz



[mm],

96010981 Unilift AP12.50.11.A1 50 Hz



! [mm],